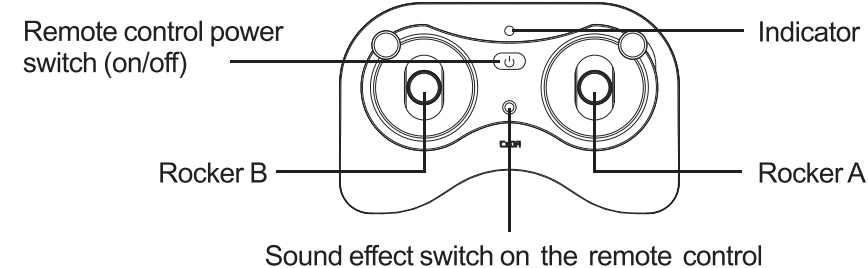


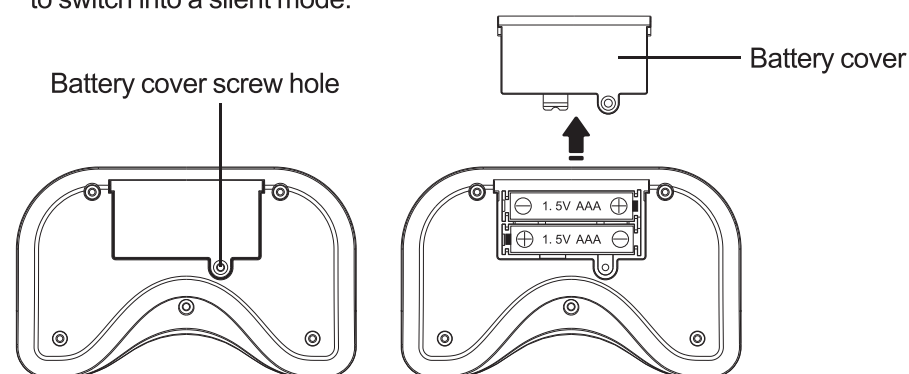
INSTRUCTIONS OF REMOTE CONTROL

Remote control



Product function description (please refer to the real object):

1. The rocker A on the remote control is used to control the power outlet A of JV7016 master control;
2. The rocker B on the remote control is used to control the power outlet B of JV7016 master control;
3. Flip the sound effect switch on the remote control to switch the background sound; Long press the sound effect switch on the remote control (about 3s) to switch into a silent mode.



Insert 2pcs of 1.5V AAA non-rechargeable batteries according to the correct polarity of the battery (not included, should purchase separately).

Charger (not included)

Charging output: 3.7V = 400mA (not recommended to use a higher power charger)

Mobile phone charger



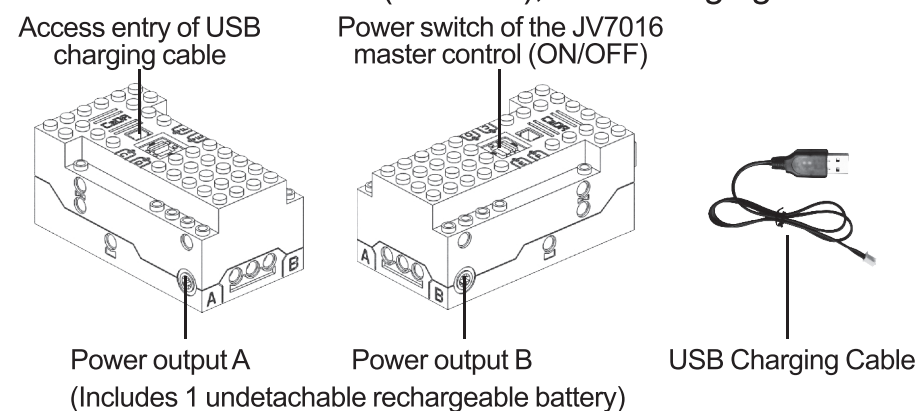
Computer USB interface



Power bank



JV7016 master control (2.4G Hz), USB charging cable



Charging description of the JV7016 master control:

1. It is suggested that the JV7016 master control should be fully charged after each use, and please note that its power should not get fully drained. Both the output current of charger and the USB charging cable have an influence on the charging time.
2. When charging, the power switch of the JV7016 master control must be OFF.
3. When charging, the red light of USB cable at the charging port is normally on, indicating normal charging, and when the red light is off, indicating that charging is completed. Please note that charging time should not exceed 8h every time.

2.4G Hz Automatical Code Description:

1. After battery is installed in the remote control, press its power switch and its indicator light flashes slowly, indicating that it enters into a matching code state; and then turn the power switch of JV7016 master control on, and the power light of JV7016 master control changes from glistening light to long light and meanwhile the indicator light of remote control flashes twice quickly and then is off, indicating a successful matching code.
2. Each remote control can only have a matching code with one JV7016 master control, and after the matching code is successful, there is no interference between each JV7016 master control.
3. If the remote control does not find the corresponding JV7016 master control for a matching code within about 1 min, it will go to a sleep state and the indicator light will be off. Press any key except the power switch to reenter into a matching code state.
4. Only turn off the power of both remote control and JV7016 master control, can the matching code be carried out again with other remote controls or JV7016 master controls.

Notices: 1. The JV7016 master control, if not used for a long time, should be fully charged, and then the power switch should be set at the OFF position.
2. Turn off the power if the toy will not be used for a long time. Please take out the batteries from the toy and the remote controller if it will be stored for a long time, preventing damage due to the battery leakage.

06.03.00JV7016.02

Frequency bands: 2405MHz to 2475MHz
Maximum output power: <-2dBm

Manufacturer: Doubleeagle Industry (China) Limited.
Address: Xingda Industrial Park, Chenghai District, Shantou City, Guangdong Province, China.

Importer: Toy Planet
Address: Parque Empresarial Tactica C/Velluters, 37 46980 Paterna

CHOKING HAZARD-small parts, not for children under 3 years.
Specifications colors and contents may vary from illustrations.

This equipment has been tested and found to comply with the limits for a Class B digital device, pursuant to part 15 of the FCC Rules. These limits are designed to provide reasonable protection against harmful interference in a residential installation. This equipment generates, uses and can radiate radio frequency energy and, if not installed and used in accordance with the instructions, may cause harmful interference to radio communications. However, there is no guarantee that interference will not occur in a particular installation. If this equipment does cause harmful interference to radio or television reception, which can be determined by turning the equipment off and on, the user is encouraged to try to correct the interference by one or more of the following measures:

--Reorient or relocate the receiving antenna.

--Increase the separation between the equipment and receiver.

--Connect the equipment into an outlet on a circuit different from that to which the receiver is connected.

--Consult the dealer or an experienced radio/TV technician for help.

MODIFICATION: Any changes or modifications not expressly approved by the grantee of this device could void the user's authority to operate the device.

This device complies with Part 15 of the FCC Rules. Operation is subject to the following two conditions: (1) this device may not cause harmful interference, and (2) this device must accept any interference received, including interference that may cause undesired operation.

Battery Usage Notices

- Insert/change batteries as per the correct polarity.
- Non-rechargeable batteries are not rechargeable.
- Do not mix old and new batteries, nor mix different types of batteries.
- Take out the exhausted batteries from the toy.
- The toy is not to be connected to more than recommended number of power supplies.
- The toy is not intended for children under 3 years old.
- Regularly check the wire, shell and other components for any damage. Stop using when the damage is founded, the supply terminals are not to be short-circuited.
- Unscrew the battery cover with the screwdriver, and insert the batteries as per the correct polarity.
- Do not mix alkaline batteries, standard (carbon-zinc) or rechargeable batteries.