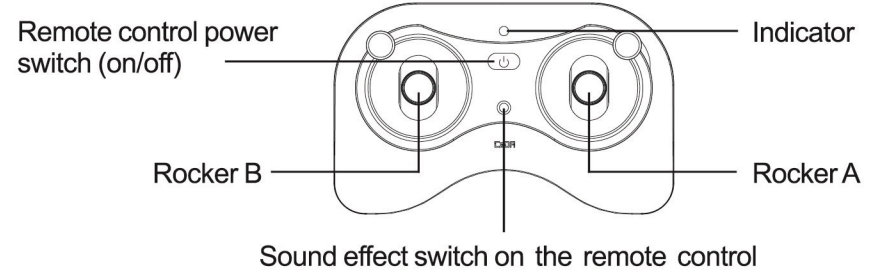


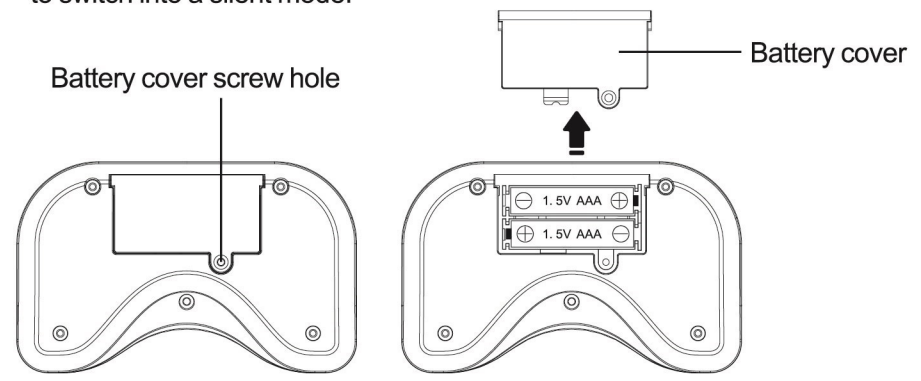
INSTRUCTIONS OF REMOTE CONTROL

Remote control



Product function description (please refer to the real object):

1. The rocker A on the remote control is used to control the power outlet A of JV7016 master control;
2. The rocker B on the remote control is used to control the power outlet B of JV7016 master control;
3. Flip the sound effect switch on the remote control to switch the background sound; Long press the sound effect switch on the remote control (about 3s) to switch into a silent mode.



Insert 2pcs of 1.5V AAA non-rechargeable batteries according to the correct polarity of the battery (not included, should purchase separately).

Charger (not included)

Charging output: 3.7V = 400mA (not recommended to use a higher power charger)

Mobile phone charger



Computer USB interface

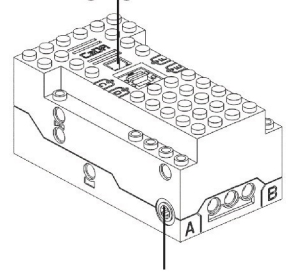


Power bank



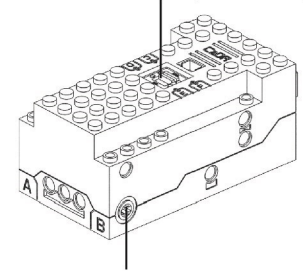
JV7016 master control (2.4G Hz), USB charging cable

Access entry of USB charging cable



Power output A

Power switch of the JV7016 master control (ON/OFF)



Power output B



USB Charging Cable

(Includes 1 undetachable rechargeable battery)

Charging description of the JV7016 master control:

1. It is suggested that the JV7016 master control should be fully charged after each use, and please note that its power should not get fully drained. Both the output current of charger and the USB charging cable have an influence on the charging time.
2. When charging, the power switch of the JV7016 master control must be OFF.
3. When charging, the red light of USB cable at the charging port is normally on, indicating normal charging, and when the red light is off, indicating that charging is completed. Please note that charging time should not exceed 8h every time.

Notices: 1. The JV7016 master control, if not used for a long time, should be fully charged, and then the power switch should be set at the OFF position.
2. Turn off the power if the toy will not be used for a long time. Please take out the batteries from the toy and the remote controller if it will be stored for a long time, preventing damage due to the battery leakage.

Frequency bands: 2405MHz to 2475MHz
Maximum output power: -9.7dBm (for EU)

Manufacturer: Doubleeagle Industry (China) Limited.
Address: Xingda Industrial Park, Chenghai District, Shantou City, Guangdong Province, China.

Importer Name: JAMARA e.K.
Address: Am Lauerbuehl 5 88317 Aichstetten Germany

CHOKING HAZARD-small parts, not for children under 3 years.
Specifications colors and contents may vary from illustrations.

This device complies with Part 15 of the FCC Rules. Operation is subject to the following two conditions: (1) this device may not cause harmful interference, and (2) this device must accept any interference received, including interference that may cause undesired operation.

changes or modifications not expressly approved by the party responsible for compliance could void the user's authority to operate the equipment.

This equipment has been tested and found to comply with the limits for a Class B digital device, pursuant to Part 15 of the FCC Rules. These limits are designed to provide reasonable protection against harmful interference in a residential installation. This equipment generates, uses and can radiate radio frequency energy and, if not installed and used in accordance with the instructions, may cause harmful interference to radio communications. However, there is no guarantee that interference will not occur in a particular installation.

If this equipment does cause harmful interference to radio or television reception, which can be determined by turning the equipment off and on, the user is encouraged to try to correct the interference by one or more of the following measures:

- Reorient or relocate the receiving antenna.
- Increase the separation between the equipment and receiver.
- Connect the equipment into an outlet on a circuit different from that to which the receiver is connected.
- Consult the dealer or an experienced radio/TV technician for help.