

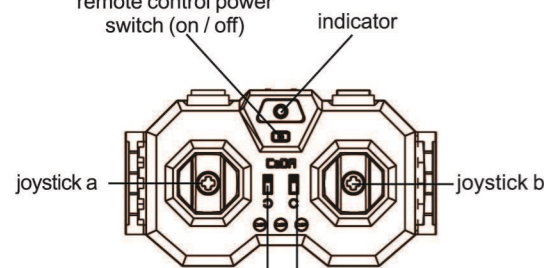
INSTRUCTIONS OF REMOTE CONTROL



Doudle E

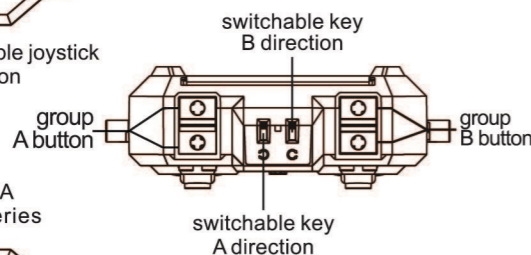
Building Blocks

Item No.: C51027W
remote control power
switch (on / off)

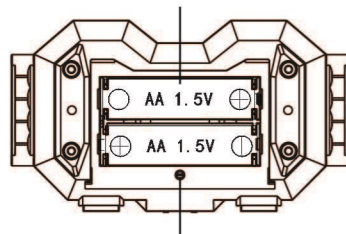


switchable joystick
a direction

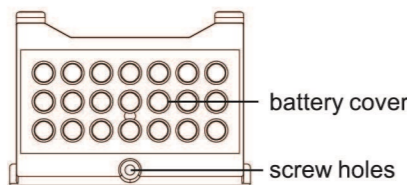
switchable joystick
b direction



insert 2pcs of 1.5V AA
non-rechargeable batteries



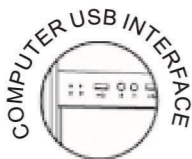
screw holes



insert 2pcs of 1.5V AA non-rechargeable
batteries according to the correct
polarity of the battery (not included,
should purchase separately)

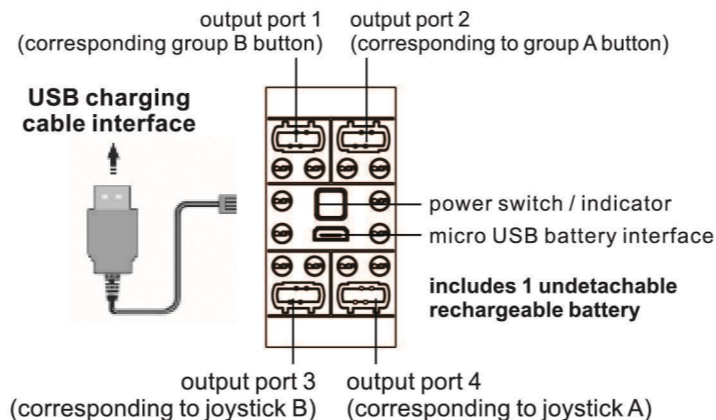
CHARGER

charging output: 5V-2A (not recommended to use a higher power charger)



The main parts of the toy have overload protection function. When connected to overload or faulty components, it will automatically power-off (it can't work), need to charge it for more than 2 seconds to recover

BATTERY CASE



ATTENTION

1. You must charge the product when using it for the first time. The charger output current and charging line have an effect on the charging time.
2. When charging, the blue light flashes to indicate that the charging is normal; the blue light does not flash when the charging has been completed; charge for more than 3 hours to play.
3. The output port can only be used with the matching plug the product.
4. The output port can not touch the metal (conductive) surface. Please pay attention when placing and avoid damaging the product.

2.4GHz AUTOMATICAL CODE DESCRIPTION

1. When the remote control is equipped with the battery, press the power switch of it, and the indicator light of the remote control flashes slowly and starts to match the code; Press the power switch of the battery box again, the indicator light of the battery box will change from flashing into long bright. In the meanwhile, the the indicator light of the remote control will flash twice, and then goes out, indicating the success of the code.
2. Each remote control can only pair with one battery box. When the pairing code is successful, each battery box does not interfere with each other.
3. If the remote control or the battery box don't get the 2.4G signal from corresponding battery box or remote control after 2 minutes, or does not have any button operation after about 4 minutes in a successful code state, it will automatically shut down. Need to press its power switch again to continue to use.
4. Turn off the power to re-pair the code with the other remote control or battery box.

Frequency bands: 2405MHz-2475MHz
Maximum output power: -15.5dBm (declaration for Europe)

Manu facturer: Doubleeagle Industry (China) Limited.
Address: Xingda Industrial Park, Chenghai District,
Shantou City, Guangdong Province, China.

Importer: JAMARA e.K.

Address: Inh. Manu el Natterer

Am Lauerbühl 5-DE-88317 Aichstetten Germany

changes or modifications not expressly approved by the party responsible for compliance could void the user's authority to operate the equipment.

This equipment has been tested and found to comply with the limits for a Class B digital device, pursuant to Part 15 of the FCC Rules. These limits are designed to provide reasonable protection against harmful interference in a residential installation. This equipment generates, uses and can radiate radio frequency energy and, if not installed and used in accordance with the instructions, may cause harmful interference to radio communications. However, there is no guarantee that interference will not occur in a particular installation.

If this equipment does cause harmful interference to radio or television reception, which can be determined by turning the equipment off and on, the user is encouraged to try to correct the interference by one or more of the following measures:

- Reorient or relocate the receiving antenna.
- Increase the separation between the equipment and receiver.
- Connect the equipment into an outlet on a circuit different from that to which the receiver is connected.
- Consult the dealer or an experienced radio/TV technician for help.