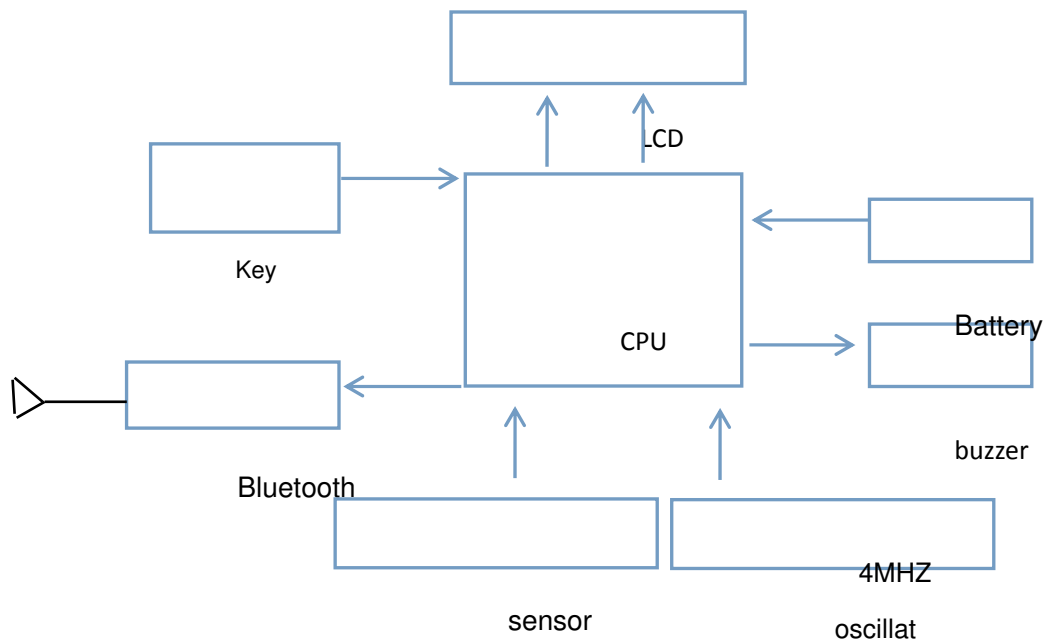


Product Introduction

product component part: Infrared sensor part, the main body, circuit part



When measuring tympanic membrane of object whose temperature higher than absolute zero with infrared temperature probe, the object will launch infrared radiation energy of certain proportion according to the degree of its temperature. Capacity of infrared radiation energy and distribution of its wavelength have close relations with the surface temperature. Based on this principle, accurate temperature can be displayed by accurately testing surface temperature of tympanic membrane and correcting temperature difference between forehead and actual body temperature.

Infra-red Ear Thermometer primarily consists of infrared sensor ,outer casing and circuit part.It has these function of automatic measurement ,32 records ,high temperature alarm ,automatic shutdown and so on . The measurement range is $32.0^{\circ}\text{C}\sim 42.2^{\circ}\text{C}$, the accuracy of the thermometer is $\pm 0.2^{\circ}\text{C}$ ($35.5^{\circ}\text{C}\sim 42.0^{\circ}\text{C}$). When the temperature is lower than 32.0°C or higher than 42.2°C ,it begins to alarm by displaying L or H.

The product is a BT4.0 device,with one integral antenna,and the antenna gain is 1.21dBi. The frequency range is 2402-2480MHz.