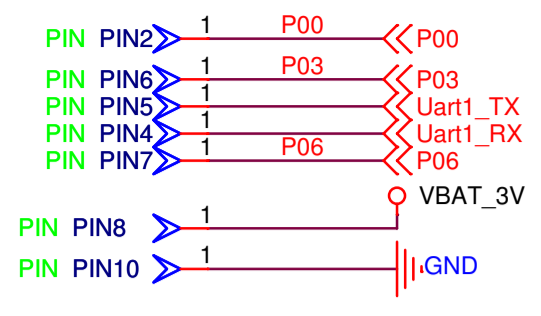


SPI Flash



Table 1: Pin assignment and booting sequence from external devices

Pin	SPI MASTER	SPI MASTER	UART	SPI SLAVE	I2C
P0_0	1	SCK	TX	7	SCL
P0_1		CS	RX		SDA
P0_2	2	MISO	TX	9	SCL
P0_3		CS	RX		SDA
P0_4	3	MISO	TX	10	SCL
P0_5		MOSI	RX		SDA
P0_6	4	MISO	TX	11	SCL
P0_7		MOSI	RX		SDA



Title		
Package		
Size	Document Number	Rev
A4	SCH_SL02	V13
Date:	Thursday, February 05, 2015	Sheet 3 of 3
2		1