

SAR EVALUATION REPORT

For

i.safe MOBILE GmbH

i_Park Tauberfranken 10 97922 Lauda-Koenigshofen, Germany

FCC ID: 2AACZ-IS9101

Report Type: Original Report	Product Type: Intrinsically safe tablet PC
Report Number: RSZ180529003-20A	
Report Date: 2018-07-23	
Reviewed By:	Rocky Xiao <i>Rocky Xiao</i> RF Engineer
Prepared By:	Bay Area Compliance Laboratories Corp. (Dongguan) No.69 Pulongcun, Puxinhu Industry Area, Tangxia, Dongguan, Guangdong, China Tel: +86-769-86858888 Fax: +86-769-86858891 www.baclcorp.com.cn

Note: This test report is prepared for the customer shown above and for the device described herein. It may not be duplicated or used in part without prior written consent from Bay Area Compliance Laboratories Corp. (Dongguan). This report must not be used by the customer to claim product certification, approval, or endorsement by A2LA* or any agency of the Federal Government. * This report may contain data that are not covered by the A2LA accreditation and are marked with an asterisk “*”

Attestation of Test Results			
EUT Information	EUT Description	Intrinsically safe tablet PC	
	Tested Model	IS910.1	
	Multiple Model	RG910	
	FCC ID	2AACZ-IS9101	
	Serial Number	18052900321 (IS910.1)	
		18052900322 (RG910)	
Test Date	2018-06-09 ~ 2018-06-13		
MODE		Max. SAR Level(s) Reported(W/kg)	Limit (W/kg)
GSM 850	1g Body SAR	0.20	1.6
PCS 1900	1g Body SAR	1.12	
CDMA 850(BC0)	1g Body SAR	0.44	
CDMA 1900(BC1)	1g Body SAR	0.97	
WCDMA Band 2	1g Body SAR	1.05	
WCDMA Band 5	1g Body SAR	0.24	
LTE Band 7	1g Body SAR	0.37	
LTE Band 41	1g Body SAR	0.25	
WLAN 2.4G	1g Body SAR	0.08	
Bluetooth	1g Body SAR	0.04	
Simultaneous	1g Body SAR	1.20	
	1g Body SAR	1.20 (Hotspot)	
Applicable Standards	FCC 47 CFR part 2.1093 Radiofrequency radiation exposure evaluation: portable devices		
	IEEE1528:2013 IEEE Recommended Practice for Determining the Peak Spatial-Average Specific Absorption Rate (SAR) in the Human Head from Wireless Communications Devices: Measurement Techniques		
	IEC 62209-2:2010 Human exposure to radio frequency fields from hand-held and body-mounted wireless communication devices-Human models, instrumentation, and procedures-Part 2: Procedure to determine the specific absorption rate (SAR) for wireless communication devices used in close proximity to the human body (frequency range of 30 MHz to 6 GHz)		
	KDB procedures KDB 447498 D01 General RF Exposure Guidance v06 KDB 865664 D01 SAR Measurement 100 MHz to 6 GHz v01r04 KDB 865664 D02 RF Exposure Reporting v01r02 KDB 941225 D01 3G SAR Procedures v03r01 KDB 941225 D05 SAR for LTE Devices v02r05 KDB 941225 D06 Hotspot Mode v02r01 KDB 248227 D01 802 11 Wi-Fi SAR v02r02		
Note: This wireless device has been shown to be capable of compliance for localized specific absorption rate (SAR) for General Population/Uncontrolled Exposure limits specified in FCC 47 CFR part 2.1093 and has been tested in accordance with the measurement procedures specified in IEEE 1528-2013 and RF exposure KDB procedures. The results and statements contained in this report pertain only to the device(s) evaluated.			

TABLE OF CONTENTS

DOCUMENT REVISION HISTORY	4
EUT DESCRIPTION	5
TECHNICAL SPECIFICATION	5
REFERENCE, STANDARDS, AND GUIDELINES.....	6
SAR LIMITS	7
FACILITIES.....	8
DESCRIPTION OF TEST SYSTEM	9
EQUIPMENT LIST AND CALIBRATION	14
EQUIPMENTS LIST & CALIBRATION INFORMATION	14
SAR MEASUREMENT SYSTEM VERIFICATION	15
LIQUID VERIFICATION	15
SYSTEM ACCURACY VERIFICATION	17
SAR SYSTEM VALIDATION DATA	18
EUT TEST STRATEGY AND METHODOLOGY	22
TEST POSITIONS FOR DEVICE OPERATING NEXT TO A PERSON’S EAR.....	22
CHEEK/TOUCH POSITION	23
EAR/TILT POSITION	23
TEST POSITIONS FOR BODY-WORN AND OTHER CONFIGURATIONS	24
TEST DISTANCE FOR SAR EVALUATION	24
SAR EVALUATION PROCEDURE.....	25
CONDUCTED OUTPUT POWER MEASUREMENT	26
PROVISION APPLICABLE	26
TEST PROCEDURE	26
RADIO CONFIGURATION	26
MAXIMUM TARGET OUTPUT POWER	33
IS910.1 TEST RESULTS:	34
RG910 TEST RESULTS:	43
STANDALONE SAR TEST EXCLUSION CONSIDERATIONS	52
ANTENNA DISTANCE TO EDGE	52
STANDALONE SAR TEST EXCLUSION CONSIDERATIONS.....	52
STANDALONE SAR TEST EXCLUSION CONSIDERATIONS DETAIL:	53
SAR TEST EXCLUSION FOR THE EUT EDGE CONSIDERATIONS RESULT	53
SAR MEASUREMENT RESULTS	55
SAR TEST DATA.....	55
SAR MEASUREMENT VARIABILITY	66
SAR SIMULTANEOUS TRANSMISSION DESCRIPTION	67
SAR PLOTS.....	69
APPENDIX A MEASUREMENT UNCERTAINTY	70
APPENDIX B EUT TEST POSITION PHOTOS	72
APPENDIX C CALIBRATION CERTIFICATES	73

DOCUMENT REVISION HISTORY

Revision Number	Report Number	Description of Revision	Date of Revision
1.0	RSZ180529003-20A	Original Report	2018-07-23

EUT DESCRIPTION

This report has been prepared on behalf of *i.safe MOBILE GmbH* and their product *Intrinsically safe tablet PC*, Model: *IS910.1*, FCC ID: *2AACZ-IS9101* or the EUT (Equipment under Test) as referred to in the rest of this report.

**All measurement and test data in this report was gathered from production sample serial number: 18052900321 for IS910.1 and 18052900322 for RG910(Assigned by BACL, Dongguan). The EUT supplied by the applicant was received on 2018-05-31.*

Technical Specification

Device Type:	Portable	
Exposure Category:	Population / Uncontrolled	
Antenna Type(s):	Internal Antenna	
DTM Type:	Class B	
Multi-slot Class:	GPRS(Class 12); EGPRS(Class 12)	
Body-Worn Accessories:	Headset	
Face-Head Accessories:	None	
Operation Mode :	GSM Voice, GPRS/EDGE Data, CDMA 1xRTT, 1xEVDO Rev.A, WCDMA(R99 (Voice+Data), HSDPA/HSUPA/HSPA+), FDD-LTE, TDD-LTE, WLAN, Bluetooth	
Frequency Band:	GSM 850: 824-849 MHz(TX); 869-894 MHz(RX) PCS 1900: 1850-1910 MHz(TX); 1930-1990 MHz(RX) CDMA 850(BC0): 824-849 MHz(TX) ; 869-894 MHz(RX) CDMA 1900(BC1): 1850-1910 MHz(TX) ; 1930-1990 MHz(RX) WCDMA Band 2: 1850-1910 MHz(TX); 1930-1990 MHz(RX) WCDMA Band 5: 824-849 MHz(TX); 869-894 MHz(RX) LTE Band 7: 2500-2570 MHz(TX) ; 2620-2690 MHz(RX) LTE Band 41: 2555-2655 MHz(TX) ; 2555-2655 MHz(RX) WLAN: 2412 -2462 MHz /2422 -2452 MHz Bluetooth : 2402 MHz-2480 MHz	
Conducted RF Power:	IS910.1: GSM 850 : 33.39 dBm PCS 1900: 28.42 dBm CDMA 850(BC0): 21.86 dBm CDMA 1900(BC1): 21.79 dBm WCDMA Band 2: 22.96 dBm WCDMA Band 5: 22.52 dBm LTE Band 7: 22.29 dBm LTE Band 41: 22.17 dBm WLAN: 8.97 dBm Bluetooth(BDR/EDR): 6.69 dBm BLE: -1.25 dBm	RG910: GSM 850 : 33.31 dBm PCS 1900: 28.41 dBm CDMA 850(BC0): 21.83 dBm CDMA 1900(BC1): 21.75 dBm WCDMA Band 2: 22.88 dBm WCDMA Band 5: 22.46 dBm LTE Band 7: 22.12 dBm LTE Band 41: 22.15 dBm WLAN: 8.94 dBm Bluetooth(BDR/EDR): 6.62 dBm BLE: -1.38 dBm
Power Source:	3.7 VDC Rechargeable Battery	
Normal Operation:	Body Supported	

REFERENCE, STANDARDS, AND GUIDELINES

FCC:

The Report and Order requires routine SAR evaluation prior to equipment authorization of portable transmitter devices, including portable telephones. For consumer products, the applicable limit is 1.6 mW/g as recommended by the ANSI/IEEE standard C95.1-1992 [6] for an uncontrolled environment (Paragraph 65). According to the Supplement C of OET Bulletin 65 "Evaluating Compliance with FCC Guide-lines for Human Exposure to Radio frequency Electromagnetic Fields", released on Jun 29, 2001 by the FCC, the device should be evaluated at maximum output power (radiated from the antenna) under "worst-case" conditions for normal or intended use, incorporating normal antenna operating positions, device peak performance frequencies and positions for maximum RF energy coupling.

This report describes the methodology and results of experiments performed on wireless data terminal. The objective was to determine if there is RF radiation and if radiation is found, what is the extent of radiation with respect to safety limits. SAR (Specific Absorption Rate) is the measure of RF exposure determined by the amount of RF energy absorbed by human body (or its parts) – to determine how the RF energy couples to the body or head which is a primary health concern for body worn devices. The limit below which the exposure to RF is considered safe by regulatory bodies in North America is 1.6 mW/g average over 1 gram of tissue mass.

CE:

The order requires routine SAR evaluation prior to equipment authorization of portable transmitter devices, including portable telephones. For consumer products, the applicable limit is 2 mW/g as recommended by EN62209-1 for an uncontrolled environment. According to the Standard, the device should be evaluated at maximum output power (radiated from the antenna) under "worst-case" conditions for normal or intended use, incorporating normal antenna operating positions, device peak performance frequencies and positions for maximum RF energy coupling.

This report describes the methodology and results of experiments performed on wireless data terminal. The objective was to determine if there is RF radiation and if radiation is found, what is the extent of radiation with respect to safety limits. SAR (Specific Absorption Rate) is the measure of RF exposure determined by the amount of RF energy absorbed by human body (or its parts) – to determine how the RF energy couples to the body or head which is a primary health concern for body worn devices. The limit below which the exposure to RF is considered safe by regulatory bodies in Europe is 2 mW/g average over 10 gram of tissue mass.

The test configurations were laid out on a specially designed test fixture to ensure the reproducibility of measurements. Each configuration was scanned for SAR. Analysis of each scan was carried out to characterize the above effects in the device.

SAR Limits

FCC Limit

EXPOSURE LIMITS	SAR (W/kg)	
	(General Population / Uncontrolled Exposure Environment)	(Occupational / Controlled Exposure Environment)
Spatial Average (averaged over the whole body)	0.08	0.4
Spatial Peak (averaged over any 1 g of tissue)	1.60	8.0
Spatial Peak (hands/wrists/feet/ankles averaged over 10 g)	4.0	20.0

CE Limit

EXPOSURE LIMITS	SAR (W/kg)	
	(General Population / Uncontrolled Exposure Environment)	(Occupational / Controlled Exposure Environment)
Spatial Average (averaged over the whole body)	0.08	0.4
Spatial Peak (averaged over any 10 g of tissue)	2.0	10
Spatial Peak (hands/wrists/feet/ankles averaged over 10 g)	4.0	20.0

Population/Uncontrolled Environments are defined as locations where there is the exposure of individual who have no knowledge or control of their exposure.

Occupational/Controlled Environments are defined as locations where there is exposure that may be incurred by people who are aware of the potential for exposure (i.e. as a result of employment or occupation).

General Population/Uncontrolled environments Spatial Peak limit 1.6W/kg (FCC) & 2 W/kg (CE) applied to the EUT.

FACILITIES

The Test site used by Bay Area Compliance Laboratories Corp. (Dongguan) to collect test data is located on the No.69 Pulongcun, Puxinhu Industry Area, Tangxia, Dongguan, Guangdong, China.

The test site has been approved by the FCC under the KDB 974614 D01 and is listed in the FCC Public Access Link (PAL) database, FCC Registration No. : 897218,the FCC Designation No. : CN1220.

The test site has been registered with ISED Canada under ISED Canada Registration Number 3062D.

The test sites and measurement facilities used to collect data are located at:

<input type="checkbox"/> SAR Lab 1	<input checked="" type="checkbox"/> SAR Lab 2
------------------------------------	---

DESCRIPTION OF TEST SYSTEM

These measurements were performed with the automated near-field scanning system DASY5 from Schmid & Partner Engineering AG (SPEAG) which is the Fifth generation of the system shown in the figure hereinafter:



DASY5 System Description

The DASY5 system for performing compliance tests consists of the following items:



- A standard high precision 6-axis robot with controller, teach pendant and software. An arm extension for accommodating the data acquisition electronics (DAE).
- An isotropic field probe optimized and calibrated for the targeted measurement.
- A data acquisition electronics (DAE) which performs the signal application, signal multiplexing, AD-conversion, offset measurements, mechanical surface detection, collision detection, etc. The unit is battery powered with standard or rechargeable batteries. The signal is optically transmitted to the EOC.
- The Electro-optical converter (EOC) performs the conversion from optical to electrical signals for the digital communication to the DAE. To use optical surface detection, a special version of the EOC is required. The EOC signal is transmitted to the measurement server.
- The function of the measurement server is to perform the time critical tasks such as signal filtering, control of the robot operation and fast movement interrupts.
- The Light Beam used is for probe alignment. This improves the (absolute) accuracy of the probe positioning.
- A computer running Win7 professional operating system and the DASY52 software.
- Remote control and teach pendant as well as additional circuitry for robot safety such as warning lamps, etc.
- The phantom, the device holder and other accessories according to the targeted measurement.

DASY5 Measurement Server

The DASY5 measurement server is based on a PC/104 CPU board with a 400MHz Intel ULV Celeron, 128MB chip-disk and 128MB RAM. The necessary circuits for communication with the DAE4 (or DAE3) electronics box, as well as the 16 bit AD-converter system for optical detection and digital I/O interface are contained on the DASY5 I/O board, which is directly connected to the PC/104 bus of the CPU board.



The measurement server performs all real-time data evaluation of field measurements and surface detection, controls robot movements and handles safety operation. The PC operating system cannot interfere with these time critical processes. All connections are supervised by a watchdog, and disconnection of any of the cables to the measurement server will automatically disarm the robot and disable all program-controlled robot movements. Furthermore, the measurement server is equipped with an expansion port which is reserved for future applications. Please note that this expansion port does not have a standardized point out, and therefore only devices provided by SPEAG can be connected. Devices from any other supplier could seriously damage the measurement server.

Data Acquisition Electronics

The data acquisition electronics (DAE4) consist of a highly sensitive electrometer-grade preamplifier with auto-zeroing, a channel and gain-switching multiplexer, a fast 16 bit AD-converter and a command decoder with a control logic unit. Transmission to the measurement server is accomplished through an optical downlink for data and status information, as well as an optical uplink for commands and the clock.

The mechanical probe mounting device includes two different sensor systems for frontal and sideways probe contacts. They are used for mechanical surface detection and probe collision detection.

The input impedance of both the DAE4 as well as of the DAE3 box is 200M Ω ; the inputs are symmetrical and floating. Common mode rejection is above 80 dB.

EX3DV4 E-Field Probes

Frequency	10 MHz to > 6 GHz Linearity: ± 0.2 dB (30 MHz to 6 GHz)
Directivity	± 0.3 dB in TSL (rotation around probe axis) ± 0.5 dB in TSL (rotation normal to probe axis)
Dynamic Range	10 µW/g to > 100 mW/g Linearity: ± 0.2 dB (noise: typically < 1 µW/g)
Dimensions	Overall length: 337 mm (Tip: 20 mm) Tip diameter: 2.5 mm (Body: 12 mm) Typical distance from probe tip to dipole centers: 1 mm
Application	High precision dosimetric measurements in any exposure scenario (e.g., very strong gradient fields); the only probe that enables compliance testing for frequencies up to 6 GHz with precision of better 30%.
Compatibility	DASY3, DASY4, DASY52 SAR and higher, EASY4/MRI

Calibration Frequency Points for EX3DV4 E-Field Probes SN: 7431 Calibrated: 2017/9/30

Calibration Frequency Point(MHz)	Frequency Range(MHz)		Conversion Factor		
	From	To	X	Y	Z
750 Head	650	850	10.04	10.04	10.04
750 Body	650	850	10.11	10.11	10.11
900 Head	850	1000	9.72	9.72	9.72
900 Body	850	1000	9.86	9.86	9.86
1750 Head	1650	1850	8.36	8.36	8.36
1750 Body	1650	1850	8.23	8.23	8.23
1900 Head	1850	2000	8.24	8.24	8.24
1900 Body	1850	2000	8	8	8
2450 Head	2350	2550	7.86	7.86	7.86
2450 Body	2350	2550	7.62	7.62	7.62
2600 Head	2550	2700	7.38	7.38	7.38
2600 Body	2550	2700	7.31	7.31	7.31
5200 Head	5100	5250	5.92	5.92	5.92
5200 Body	5100	5250	5.22	5.22	5.22
5300 Head	5250	5410	5.6	5.6	5.6
5300 Body	5250	5410	4.93	4.93	4.93
5600 Head	5490	5700	4.99	4.99	4.99
5600 Body	5490	5700	4.4	4.4	4.4
5800 Head	5700	5900	5.05	5.05	5.05
5800 Body	5700	5900	4.43	4.43	4.43

SAM Twin Phantom

The SAM twin phantom is a fiberglass shell phantom with 2mm shell thickness (except the ear region, where shell thickness

increases to 6 mm). The phantom has three measurement areas:

- _ Left Head
- _ Right Head
- _ Flat phantom

The phantom table for the DASY systems based on the robots have the size of 100 x 50 x 85 cm (L x W x H). For easy dislocation these tables have fork lift cut outs at the bottom.

The bottom plate contains three pairs of bolts for locking the device holder. The device holder positions are adjusted to the standard measurement positions in the three sections. Only one device holder is necessary if two phantoms are used (e.g., for different liquids)



A white cover is provided to cover the phantom during off-periods to prevent water evaporation and changes in the liquid parameters. Free space scans of devices on top of this phantom cover are possible. Three reference marks are provided on the phantom counter. These reference marks are used to teach the absolute phantom position relative to the robot.

Robots

The DASY5 system uses the high precision industrial robot. The robot offers the same features important for our application:

- High precision (repeatability 0.02mm)
- High reliability (industrial design)
- Low maintenance costs (virtually maintenance free due to direct drive gears; no belt drives)
- Jerk-free straight movements (brushless synchrony motors; no stepper motors)
- Low ELF interference (motor control fields shielded via the closed metallic construction shields)

The above mentioned robots are controlled by the Staubli CS8c robot controllers. All information regarding the use and maintenance of the robot arm and the robot controller is contained on the CDs delivered along with the robot. Paper manuals are available upon request direct from Staubli.

Area Scans

Area scans are defined prior to the measurement process being executed with a user defined variable spacing between each measurement point (integral) allowing low uncertainty measurements to be conducted. Scans defined for FCC applications utilize a 15mm 2 step integral, with 1.5mm interpolation used to locate the peak SAR area used for zoom scan assessments.

Where the system identifies multiple SAR peaks (which are within 25% of peak value) the system will provide the user with the option of assessing each peak location individually for zoom scan averaging.

Zoom Scan (Cube Scan Averaging)

The averaging zoom scan volume utilized in the DASY5 software is in the shape of a cube and the side dimension of a 1 g or 10 g mass is dependent on the density of the liquid representing the simulated tissue. A density of 1000 kg/m³ is used to represent the head and body tissue density and not the phantom liquid density, in order to be consistent with the definition of the liquid dielectric properties, i.e. the side length of the 1g cube is 10mm, with the side length of the 10g cube is 21.5mm.

When the cube intersects with the surface of the phantom, it is oriented so that 3 vertices touch the surface of the shell or the center of a face is tangent to the surface. The face of the cube closest to the surface is modified in order to conform to the tangent surface.

The zoom scan integer steps can be user defined so as to reduce uncertainty, but normal practice for typical test applications (including FCC) utilize a physical step of 7 x 7 x 7 (5mmx5mmx5mm) providing a volume of 30 mm in the X & Y & Z axis.

Tissue Dielectric Parameters for Head and Body Phantoms

The head tissue dielectric parameters recommended by the IEEE SCC-34/SC-2 in P1528 have been incorporated in the following table. These head parameters are derived from planar layer models simulating the highest expected SAR for the dielectric properties and tissue thickness variations in a human head. Other head and body tissue parameters that have not been specified in P1528 are derived from the tissue dielectric parameters computed from the 4-Cole-Cole equations described in Reference [12] and extrapolated according to the head parameters specified in P1528.

Recommended Tissue Dielectric Parameters for Head and Body

Frequency (MHz)	Head Tissue		Body Tissue	
	ϵ_r	σ (S/m)	ϵ_r	σ (S/m)
150	52.3	0.76	61.9	0.80
300	45.3	0.87	58.2	0.92
450	43.5	0.87	56.7	0.94
835	41.5	0.90	55.2	0.97
900	41.5	0.97	55.0	1.05
915	41.5	0.98	55.0	1.06
1450	40.5	1.20	54.0	1.30
1610	40.3	1.29	53.8	1.40
1800-2000	40.0	1.40	53.3	1.52
2450	39.2	1.80	52.7	1.95
3000	38.5	2.40	52.0	2.73
5800	35.3	5.27	48.2	6.00

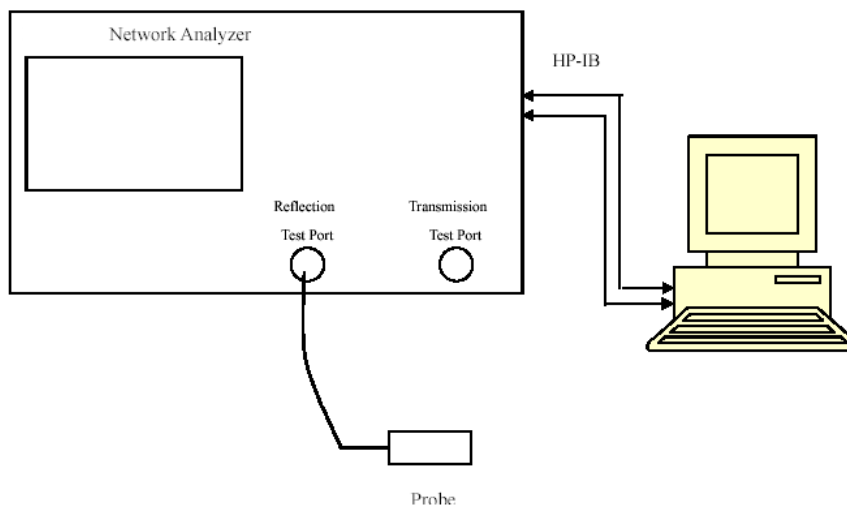
EQUIPMENT LIST AND CALIBRATION

Equipments List & Calibration Information

Equipment	Model	S/N	Calibration Date	Calibration Due Date
DASY5 Test Software	DASY52.8	N/A	NCR	NCR
DASY5 Measurement Server	DASY5 4.5.12	1567	NCR	NCR
Data Acquisition Electronics	DAE4	772	2017/10/9	2018/10/8
E-Field Probe	EX3DV4	7431	2017/9/30	2018/9/29
Mounting Device	MD4HHTV5	BJPCTC0152	NCR	NCR
Twin SAM	Twin SAM V5.0	1412	NCR	NCR
Dipole, 750 MHz	D750V3	1167	2016/11/8	2019/11/7
Dipole, 1900 MHz	D1900V2	543	2016/10/25	2019/10/24
Dipole, 2450 MHz	D2450V2	971	2015/7/8	2018/7/8
Dipole, 2600 MHz	D2600V2	1132	2016/11/10	2019/11/9
Simulated Tissue 750 MHz Body	TS-750-B	1710075002	Each Time	
Simulated Tissue 1900 MHz Body	TS-1900-B	1709190002	Each Time	
Simulated Tissue 2450 MHz Body	TS-2450-B	1703245002	Each Time	
Simulated Tissue 2600 MHz Body	TS-2600-B	1709260002	Each Time	
Network Analyzer	8753C	3033A02857	2017/8/31	2018/8/31
Dielectric assessment kit	1253	SM DAK 040 CA	NCR	NCR
ESG Series Signal Generator	E4422B	MY41000355	2017/12/14	2018/12/14
Power Meter	EPM-441A	GB37481494	2017/12/11	2018/12/11
Power Amplifier	ZVA-183-S+	5969001149	NCR	NCR
Directional Coupler	488Z	N/A	NCR	NCR
Attenuator	20dB, 100W	N/A	NCR	NCR
Attenuator	3dB, 150W	N/A	NCR	NCR
R&S, universal Radio Communication Tester	CMU200	109 038	2017/7/21	2018/7/21
Wireless communication tester	E5515C	MY48367501	2017/12/11	2018/12/11
Wideband Radio Communication Tester	CMW500	1201.0002K50	2017/8/31	2018/8/31

SAR MEASUREMENT SYSTEM VERIFICATION

Liquid Verification



Liquid Verification Setup Block Diagram

Liquid Verification Results

Frequency (MHz)	Liquid Type	Liquid Parameter		Target Value		Delta (%)		Tolerance (%)
		ϵ_r	σ (S/m)	ϵ_r	σ (S/m)	$\Delta\epsilon_r$	$\Delta\sigma$ (S/m)	
750	Simulated Tissue 750 MHz Body	57.124	0.932	55.53	0.96	2.87	-2.92	± 5
824.2	Simulated Tissue 750 MHz Body	57.283	0.944	55.24	0.97	3.7	-2.68	± 5
824.7	Simulated Tissue 750 MHz Body	57.418	0.947	55.24	0.97	3.94	-2.37	± 5
826.4	Simulated Tissue 750 MHz Body	57.376	0.953	55.23	0.97	3.89	-1.75	± 5
836.52	Simulated Tissue 750 MHz Body	57.172	0.961	55.2	0.97	3.57	-0.93	± 5
836.6	Simulated Tissue 750 MHz Body	56.996	0.961	55.2	0.97	3.25	-0.93	± 5
846.6	Simulated Tissue 750 MHz Body	56.877	0.963	55.16	0.98	3.11	-1.73	± 5
848.31	Simulated Tissue 750 MHz Body	56.846	0.967	55.16	0.99	3.06	-2.32	± 5
848.8	Simulated Tissue 750 MHz Body	56.835	0.973	55.16	0.99	3.04	-1.72	± 5

*Liquid Verification above was performed on 2018/06/10.

Frequency (MHz)	Liquid Type	Liquid Parameter		Target Value		Delta (%)		Tolerance (%)
		ϵ_r	σ (S/m)	ϵ_r	σ (S/m)	$\Delta\epsilon_r$	$\Delta\sigma$ (S/m)	
1850.2	Simulated Tissue 1900 MHz Body	54.598	1.454	53.3	1.52	2.44	-4.34	± 5
1851.25	Simulated Tissue 1900 MHz Body	54.592	1.461	53.3	1.52	2.42	-3.88	± 5
1852.4	Simulated Tissue 1900 MHz Body	54.582	1.468	53.3	1.52	2.41	-3.42	± 5
1880	Simulated Tissue 1900 MHz Body	54.206	1.488	53.3	1.52	1.7	-2.11	± 5
1900	Simulated Tissue 1900 MHz Body	54.173	1.515	53.3	1.52	1.64	-0.33	± 5
1907.6	Simulated Tissue 1900 MHz Body	54.135	1.516	53.3	1.52	1.57	-0.26	± 5
1908.75	Simulated Tissue 1900 MHz Body	54.112	1.521	53.3	1.52	1.52	0.07	± 5
1909.8	Simulated Tissue 1900 MHz Body	54.101	1.531	53.3	1.52	1.5	0.72	± 5

*Liquid Verification above was performed on 2018/06/09.

Frequency (MHz)	Liquid Type	Liquid Parameter		Target Value		Delta (%)		Tolerance (%)
		ϵ_r	σ (S/m)	ϵ_r	σ (S/m)	$\Delta\epsilon_r$	$\Delta\sigma$ (S/m)	
2402	Simulated Tissue 2450 MHz Body	54.424	1.866	52.76	1.9	3.15	-1.79	±5
2412	Simulated Tissue 2450 MHz Body	54.393	1.905	52.75	1.91	3.11	-0.26	±5
2431	Simulated Tissue 2450 MHz Body	54.275	1.918	52.73	1.93	2.93	-0.62	±5
2441	Simulated Tissue 2450 MHz Body	54.187	1.931	52.71	1.94	2.8	-0.46	±5
2442	Simulated Tissue 2450 MHz Body	54.186	1.933	52.71	1.94	2.8	-0.36	±5
2450	Simulated Tissue 2450 MHz Body	53.929	1.952	52.7	1.95	2.33	0.1	±5
2462	Simulated Tissue 2450 MHz Body	53.806	1.971	52.68	1.97	2.14	0.05	±5
2480	Simulated Tissue 2450 MHz Body	53.798	1.982	52.66	1.99	2.16	-0.4	±5
2510	Simulated Tissue 2450 MHz Body	53.677	1.995	52.62	2.04	2.01	-2.21	±5
2535	Simulated Tissue 2450 MHz Body	53.526	2.058	52.59	2.07	1.78	-0.58	±5

*Liquid Verification above was performed on 2018/06/13.

Frequency (MHz)	Liquid Type	Liquid Parameter		Target Value		Delta (%)		Tolerance (%)
		ϵ_r	σ (S/m)	ϵ_r	σ (S/m)	$\Delta\epsilon_r$	$\Delta\sigma$ (S/m)	
2560	Simulated Tissue 2600 MHz Body	53.54	2.122	52.56	2.11	1.86	0.57	±5
2565	Simulated Tissue 2600 MHz Body	53.368	2.136	52.55	2.11	1.56	1.23	±5
2605	Simulated Tissue 2600 MHz Body	53.352	2.145	52.5	2.17	1.62	-1.15	±5
2600	Simulated Tissue 2600 MHz Body	53.349	2.151	52.51	2.16	1.6	-0.42	±5
2645	Simulated Tissue 2600 MHz Body	53.324	2.165	52.45	2.23	1.67	-2.91	±5

*Liquid Verification above was performed on 2018/06/12.

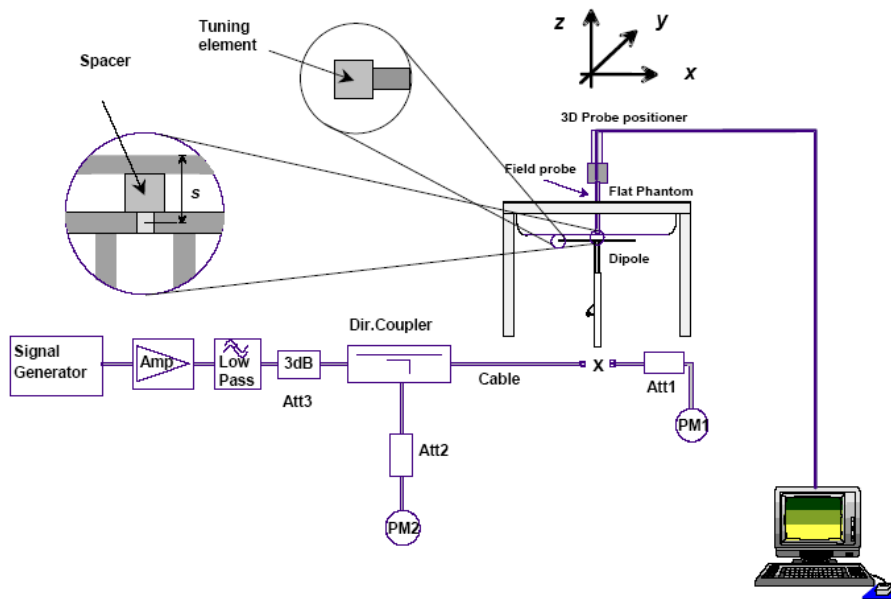
System Accuracy Verification

Prior to the assessment, the system validation kit was used to test whether the system was operating within its specifications of $\pm 10\%$. The validation results are tabulated below. And also the corresponding SAR plot is attached as well in the SAR plots files.

The spacing distances in the **System Verification Setup Block Diagram** is given by the following:

- a) $s = 15 \text{ mm} \pm 0,2 \text{ mm}$ for $300 \text{ MHz} \leq f \leq 1\,000 \text{ MHz}$;
- b) $s = 10 \text{ mm} \pm 0,2 \text{ mm}$ for $1\,000 \text{ MHz} < f \leq 3\,000 \text{ MHz}$;
- c) $s = 10 \text{ mm} \pm 0,2 \text{ mm}$ for $3\,000 \text{ MHz} < f \leq 6\,000 \text{ MHz}$.

System Verification Setup Block Diagram



System Accuracy Check Results

Date	Frequency Band	Liquid Type	Input Power (mW)	Measured SAR (W/kg)		Normalized to 1W (W/kg)	Target Value (W/kg)	Delta (%)	Tolerance (%)
2018/06/10	750 MHz	750MHz Body	100	1g	0.843	8.43	8.58	-1.75	± 10
2018/06/09	1900 MHz	1900MHz Body	100	1g	4.12	41.2	41.1	0.24	± 10
2018/06/13	2450 MHz	2450MHz Body	100	1g	5.07	50.7	50.6	0.20	± 10
2018/06/12	2600 MHz	2600MHz Body	100	1g	5.33	53.3	53.9	-1.11	± 10

*The SAR values above are normalized to 1 Watt forward power.

SAR SYSTEM VALIDATION DATA

System Performance 750 MHz Body

DUT: D750V3; Type: 750 MHz; Serial: 1167

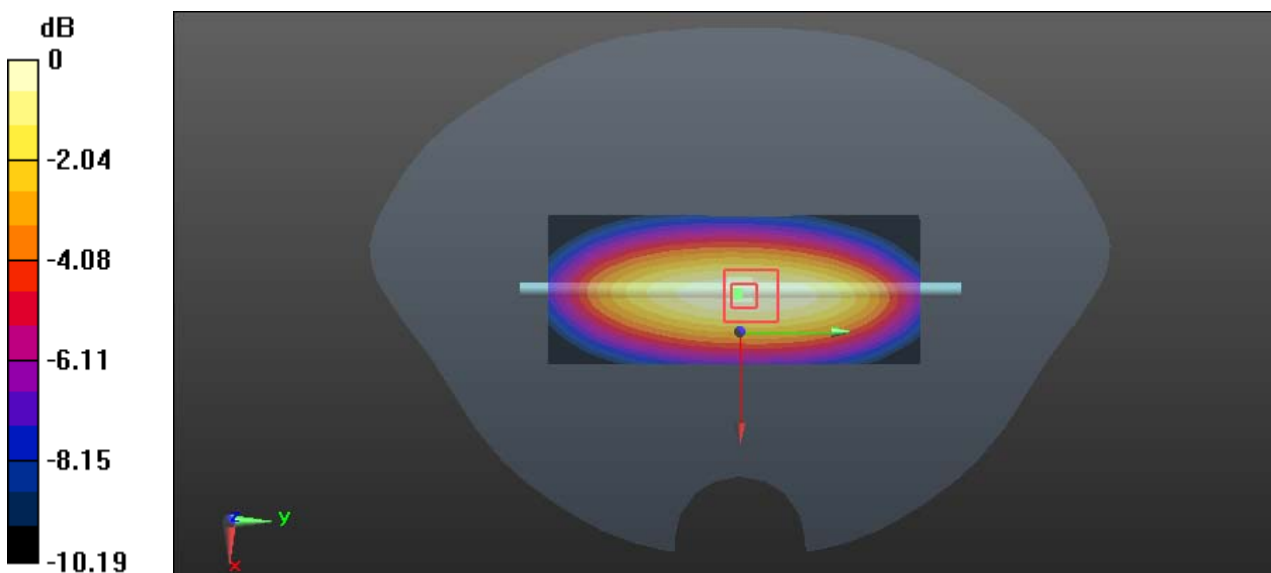
Communication System: CW; Frequency: 750 MHz; Duty Cycle: 1:1
 Medium parameters used: $f = 750 \text{ MHz}$; $\sigma = 0.932 \text{ S/m}$; $\epsilon_r = 57.124$; $\rho = 1000 \text{ kg/m}^3$
 Phantom section: Flat Section

DASY5 Configuration:

- Probe: EX3DV4 - SN7431; ConvF(10.11, 10.11, 10.11); Calibrated: 2017/9/30;
- Sensor-Surface: 1.4mm (Mechanical Surface Detection)
- Electronics: DAE4 Sn772; Calibrated: 2017/10/9
- Phantom: Twin SAM; Type: Twin SAM V5.0; Serial: 1412
- Measurement SW: DASY52, Version 52.8 (8);

Area Scan (41x101x1): Interpolated grid: $dx=1.500 \text{ mm}$, $dy=1.500 \text{ mm}$
 Maximum value of SAR (interpolated) = 1.08 W/kg

Zoom Scan (5x5x7)/Cube 0: Measurement grid: $dx=8\text{mm}$, $dy=8\text{mm}$, $dz=5\text{mm}$
 Reference Value = 31.70 V/m; Power Drift = -0.16 dB
 Peak SAR (extrapolated) = 1.18 W/kg
SAR(1 g) = 0.843 W/kg; SAR(10 g) = 0.559 W/kg
 Maximum value of SAR (measured) = 1.09 W/kg



0 dB = 1.09 W/kg = 0.37 dBW/kg

System Performance 1900 MHz Body

DUT: D1900V2; Type: 1900 MHz; Serial: 543

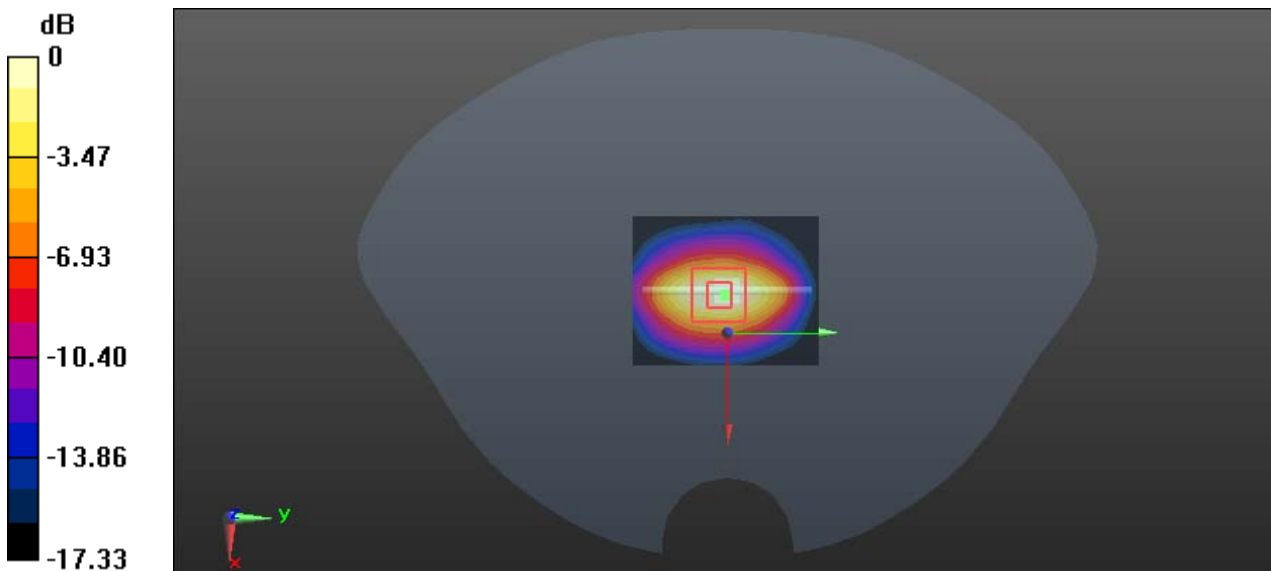
Communication System: CW; Frequency: 1900 MHz; Duty Cycle: 1:1
 Medium parameters used: $f = 1900 \text{ MHz}$; $\sigma = 1.515 \text{ S/m}$; $\epsilon_r = 54.173$; $\rho = 1000 \text{ kg/m}^3$
 Phantom section: Flat Section

DASY5 Configuration:

- Probe: EX3DV4 - SN7431; ConvF(8, 8, 8); Calibrated: 2017/9/30;
- Sensor-Surface: 1.4mm (Mechanical Surface Detection)
- Electronics: DAE4 Sn772; Calibrated: 2017/10/9
- Phantom: Twin SAM; Type: Twin SAM V5.0; Serial: 1412
- Measurement SW: DASY52, Version 52.8 (8);

Area Scan (41x51x1): Interpolated grid: $dx=1.500 \text{ mm}$, $dy=1.500 \text{ mm}$
 Maximum value of SAR (interpolated) = 6.73 W/kg

Zoom Scan (5x5x7)/Cube 0: Measurement grid: $dx=8\text{mm}$, $dy=8\text{mm}$, $dz=5\text{mm}$
 Reference Value = 54.57 V/m; Power Drift = -0.11 dB
 Peak SAR (extrapolated) = 7.82 W/kg
SAR(1 g) = 4.12 W/kg; SAR(10 g) = 2.16 W/kg
 Maximum value of SAR (measured) = 6.44 W/kg



0 dB = 6.44 W/kg = 8.09 dBW/kg

System Performance 2450MHz Body

DUT: D2450V2; Type: 2450 MHz; Serial: 971

Communication System: CW; Frequency: 2450 MHz; Duty Cycle: 1:1

Medium parameters used: $f = 2450 \text{ MHz}$; $\sigma = 1.952 \text{ S/m}$; $\epsilon_r = 53.929$; $\rho = 1000 \text{ kg/m}^3$

Phantom section: Flat Section

D ASY5 Configuration:

- Probe: EX3DV4 - SN7431; ConvF(7.62, 7.62, 7.62); Calibrated: 2017/9/30;
- Sensor-Surface: 1.4mm (Mechanical Surface Detection)
- Electronics: DAE4 Sn772; Calibrated: 2017/10/9
- Phantom: Twin SAM; Type: Twin SAM V5.0; Serial: 1412
- Measurement SW: DASY52, Version 52.8 (8);

Area Scan (51x61x1): Interpolated grid: $dx=1.200 \text{ mm}$, $dy=1.200 \text{ mm}$

Maximum value of SAR (interpolated) = 9.58 W/kg

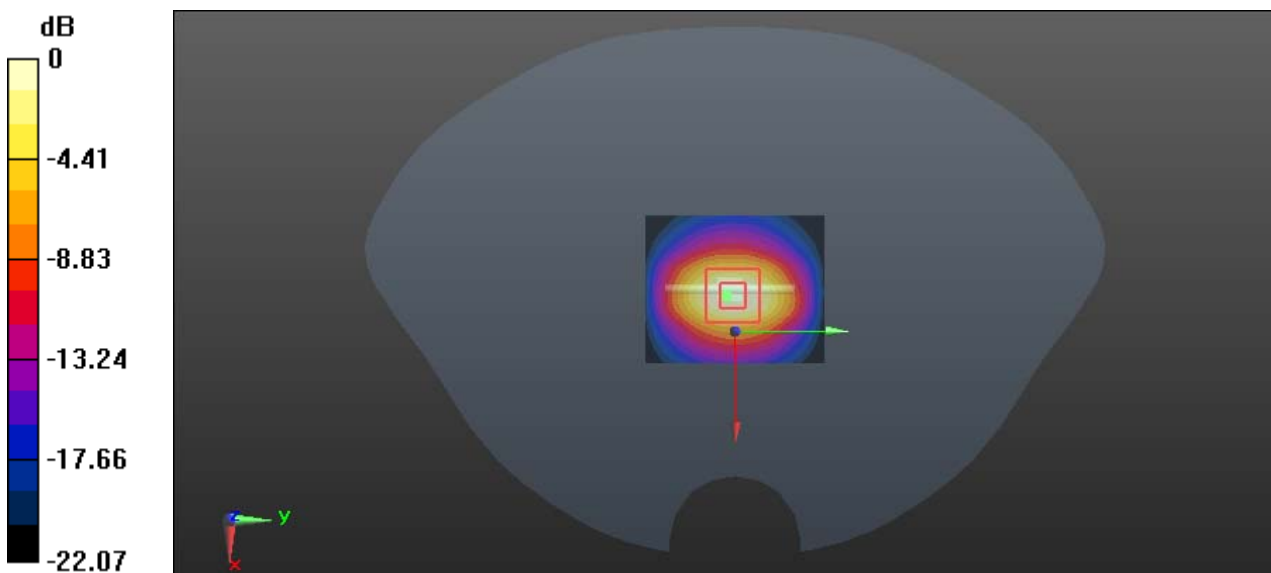
Zoom Scan (5x5x7)/Cube 0: Measurement grid: $dx=8\text{mm}$, $dy=8\text{mm}$, $dz=5\text{mm}$

Reference Value = 54.75 V/m; Power Drift = -0.04 dB

Peak SAR (extrapolated) = 11.3 W/kg

SAR(1 g) = 5.07 W/kg; SAR(10 g) = 2.30 W/kg

Maximum value of SAR (measured) = 8.89 W/kg



0 dB = 8.89 W/kg = 9.49 dBW/kg

System Performance 2600 MHz Body

DUT: D2600V2; Type: 2600 MHz; Serial: 1132

Communication System: CW; Frequency: 2600 MHz; Duty Cycle: 1:1

Medium parameters used: $f = 2600$ MHz; $\sigma = 2.151$ S/m; $\epsilon_r = 53.349$; $\rho = 1000$ kg/m³

Phantom section: Flat Section

DASY5 Configuration:

- Probe: EX3DV4 - SN7431; ConvF(7.31, 7.31, 7.31); Calibrated: 2017/9/30;
- Sensor-Surface: 1.4mm (Mechanical Surface Detection)
- Electronics: DAE4 Sn772; Calibrated: 2017/10/9
- Phantom: Twin SAM; Type: Twin SAM V5.0; Serial: 1412
- Measurement SW: DASY52, Version 52.8 (8);

Area Scan (51x61x1): Interpolated grid: dx=1.200 mm, dy=1.200 mm

Maximum value of SAR (interpolated) = 10.3 W/kg

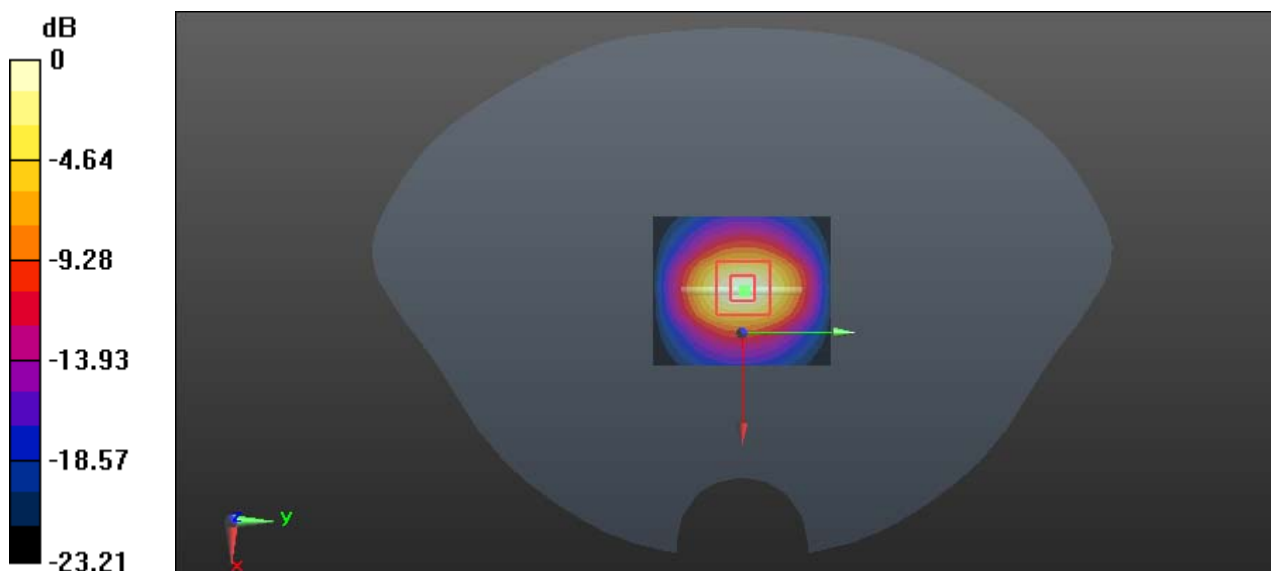
Zoom Scan (5x5x7)/Cube 0: Measurement grid: dx=8mm, dy=8mm, dz=5mm

Reference Value = 56.81 V/m; Power Drift = 0.02 dB

Peak SAR (extrapolated) = 11.5 W/kg

SAR(1 g) = 5.33 W/kg; SAR(10 g) = 2.52 W/kg

Maximum value of SAR (measured) = 9.54 W/kg



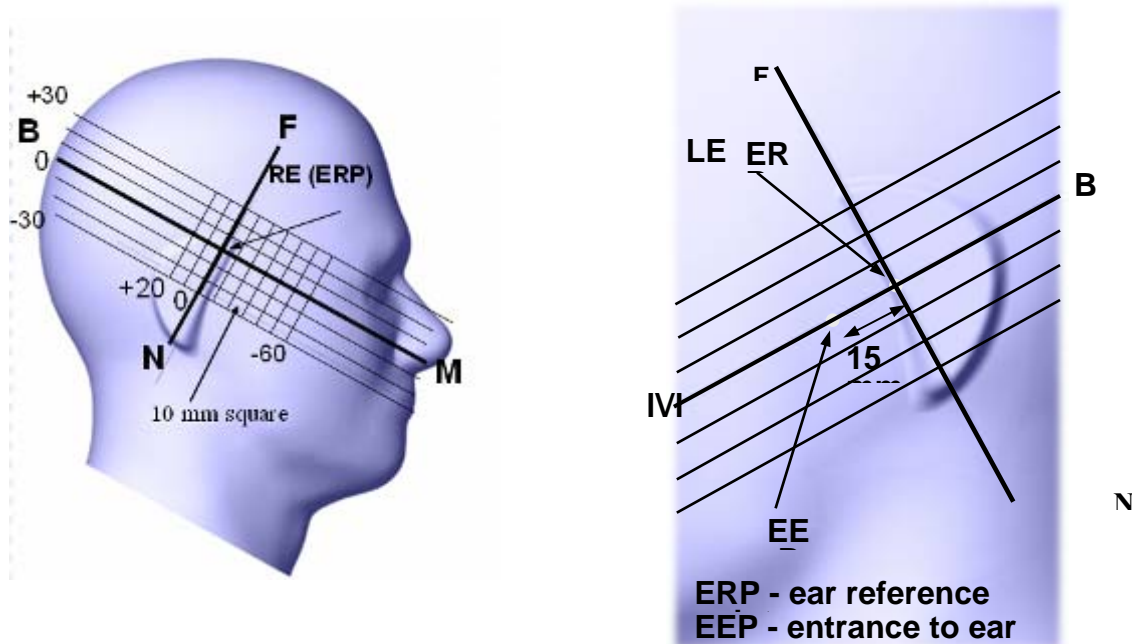
0 dB = 9.54 W/kg = 9.80 dBW/kg

EUT TEST STRATEGY AND METHODOLOGY

Test Positions for Device Operating Next to a Person’s Ear

This category includes most wireless handsets with fixed, retractable or internal antennas located toward the top half of the device, with or without a foldout, sliding or similar keypad cover. The handset should have its earpiece located within the upper ¼ of the device, either along the centerline or off-centered, as perceived by its users. This type of handset should be positioned in a normal operating position with the “test device reference point” located along the “vertical centerline” on the front of the device aligned to the “ear reference point”. The “test device reference point” should be located at the same level as the center of the earpiece region. The “vertical centerline” should bisect the front surface of the handset at its top and bottom edges. A “ear reference point” is located on the outer surface of the head phantom on each ear spacer. It is located 1.5 cm above the center of the ear canal entrance in the “phantom reference plane” defined by the three lines joining the center of each “ear reference point” (left and right) and the tip of the mouth.

A handset should be initially positioned with the earpiece region pressed against the ear spacer of a head phantom. For the SCC-34/SC-2 head phantom, the device should be positioned parallel to the “N-F” line defined along the base of the ear spacer that contains the “ear reference point”. For interim head phantoms, the device should be positioned parallel to the cheek for maximum RF energy coupling. The “test device reference point” is aligned to the “ear reference point” on the head phantom and the “vertical centerline” is aligned to the “phantom reference plane”. This is called the “initial ear position”. While maintaining these three alignments, the body of the handset is gradually adjusted to each of the following positions for evaluating SAR:



Cheek/Touch Position

The device is brought toward the mouth of the head phantom by pivoting against the “ear reference point” or along the “N-F” line for the SCC-34/SC-2 head phantom.

This test position is established:

When any point on the display, keypad or mouthpiece portions of the handset is in contact with the phantom.

(or) When any portion of a foldout, sliding or similar keypad cover opened to its intended self-adjusting normal use position is in contact with the cheek or mouth of the phantom.

For existing head phantoms – when the handset loses contact with the phantom at the pivoting point, rotation should continue until the device touches the cheek of the phantom or breaks its last contact from the ear spacer.

Cheek /Touch Position



Ear/Tilt Position

With the handset aligned in the “Cheek/Touch Position”:

1) If the earpiece of the handset is not in full contact with the phantom’s ear spacer (in the “Cheek/Touch position”) and the peak SAR location for the “Cheek/Touch” position is located at the ear spacer region or corresponds to the earpiece region of the handset, the device should be returned to the “initial ear position” by rotating it away from the mouth until the earpiece is in full contact with the ear spacer.

2) (otherwise) The handset should be moved (translated) away from the cheek perpendicular to the line passes through both “ear reference points” (note: one of these ear reference points may not physically exist on a split head model) for approximate 2-3 cm. While it is in this position, the device handset is tilted away from the mouth with respect to the “test device reference point” until the inside angle between the vertical centerline on the front surface of the phone and the horizontal line passing through the ear reference point is by 15° to 80° . After the tilt, it is then moved (translated) back toward the head perpendicular to the line passes through both “ear reference points” until the device touches the phantom or the ear spacer. If the antenna touches the head first, the positioning process should be repeated with a tilt angle less than 15° so that the device and its antenna would touch the phantom simultaneously. This test position may require a device holder or positioner to achieve the translation and tilting with acceptable positioning repeatability.

If a device is also designed to transmit with its keypad cover closed for operating in the head position, such positions should also be considered in the SAR evaluation. The device should be tested on the left and right side of the head phantom in the “Cheek/Touch” and “Ear/Tilt” positions. When applicable, each configuration should be tested with the antenna in its fully extended and fully retracted positions. These test configurations should be tested at the high, middle and low frequency channels of each operating mode; for example, AMPS, CDMA, and TDMA. If the SAR measured at the middle channel for each test configuration (left, right, Cheek/Touch, Tilt/Ear, extended and retracted) is at least 2.0 dB lower than the SAR limit, testing at the high and low channels is optional for such test configuration(s). If the transmission band of the test device is less than 10 MHz, testing at the high and low frequency channels is optional.

Ear /Tilt 15° Position



Test positions for body-worn and other configurations

Body-worn operating configurations should be tested with the belt-clips and holsters attached to the device and positioned against a flat phantom in normal use configurations. Devices with a headset output should be tested with a headset connected to the device. When multiple accessories that do not contain metallic components are supplied with the device, the device may be tested with only the accessory that dictates the closest spacing to the body. When multiple accessories that contain metallic components are supplied with the device, the device must be tested with each accessory that contains a unique metallic component. If multiple accessories share an identical metallic component (e.g., the same metallic belt-clip used with different holsters with no other metallic components), only the accessory that dictates the closest spacing to the body must be tested.

Body-worn accessories may not always be supplied or available as options for some devices that are intended to be authorized for body-worn use. A separation distance of 1.5 cm between the back of the device and a flat phantom is recommended for testing body-worn SAR compliance under such circumstances. Other separation distances may be used, but they should not exceed 2.5 cm. In these cases, the device may use body-worn accessories that provide a separation distance greater than that tested for the device provided however that the accessory contains no metallic components.

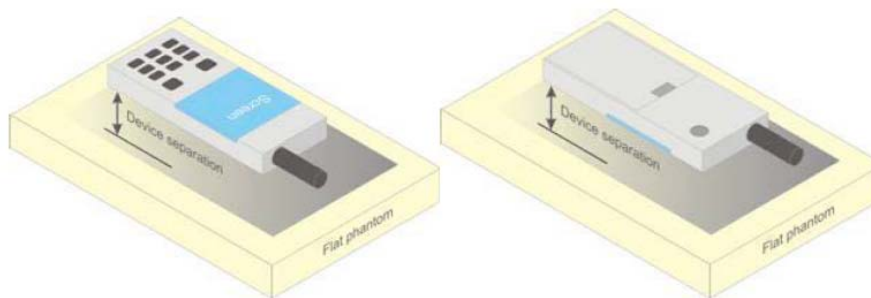


Figure 5 – Test positions for body-worn devices

Test Distance for SAR Evaluation

For this case the EUT(Equipment Under Test) is set 0mm away from the phantom, the test distance is 0mm.

SAR Evaluation Procedure

The evaluation was performed with the following procedure:

Step 1: Measurement of the SAR value at a fixed location above the ear point or central position was used as a reference value for assessing the power drop. The SAR at this point is measured at the start of the test and then again at the end of the testing.

Step 2: The SAR distribution at the exposed side of the head was measured at a distance of 4 mm from the inner surface of the shell. The area covered the entire dimension of the head or radiating structures of the EUT, the horizontal grid spacing was 15 mm x 15 mm, and the SAR distribution was determined by integrated grid of 1.5mm x 1.5mm. Based on these data, the area of the maximum absorption was determined by spline interpolation. The first Area Scan covers the entire dimension of the EUT to ensure that the hotspot was correctly identified.

Step 3: Around this point, a volume of 30 mm x 30 mm x 30 mm was assessed by measuring 7x 7 x 7 points. On the basis of this data set, the spatial peak SAR value was evaluated under the following procedure:

- 1) The data at the surface were extrapolated, since the center of the dipoles is 1.2 mm away from the tip of the probe and the distance between the surface and the lowest measuring point is 1.3 mm. The extrapolation was based on a least square algorithm. A polynomial of the fourth order was calculated through the points in z-axes. This polynomial was then used to evaluate the points between the surface and the probe tip.

- 2) The maximum interpolated value was searched with a straightforward algorithm. Around this maximum the SAR values averaged over the spatial volumes (1 g or 10 g) were computed by the 3D-Spline interpolation algorithm. The 3D-Spline is composed of three one dimensional splines with the "Not a knot"-condition (in x, y and z-directions). The volume was integrated with the trapezoidal-algorithm. One thousand points (10 x 10 x 10) were interpolated to calculate the averages.

All neighboring volumes were evaluated until no neighboring volume with a higher average value was found.

Step 4: Re-measurement of the SAR value at the same location as in Step 1. If the value changed by more than 5%, the evaluation was repeated.

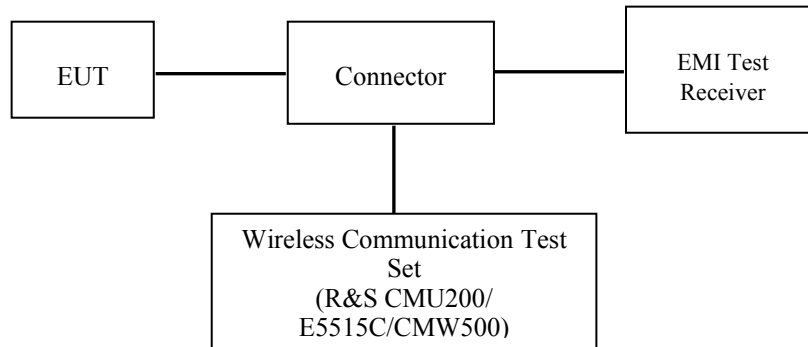
CONDUCTED OUTPUT POWER MEASUREMENT

Provision Applicable

The measured peak output power should be greater and within 5% than EMI measurement.

Test Procedure

The RF output of the transmitter was connected to the input of the EMI Test Receiver through Connector.



GSM/WCDMA/LTE

Radio Configuration

The power measurement was configured by the Wireless Communication Test Set.

GSM/GPRS/EGPRS

Function: Menu select > GSM Mobile Station > GSM 850/1900

Press Connection control to choose the different menus

Press RESET > choose all the reset all settings

Connection Press Signal Off to turn off the signal and change settings

Network Support > GSM + GPRS or GSM + EGSM

Main Service > Packet Data

Service selection > Test Mode A – Auto Slot Config. off

MS Signal Press Slot Config Bottom on the right twice to select and change the number of time slots and power setting

> Slot configuration > Uplink/Gamma

> 33 dBm for GPRS 850

> 30 dBm for GPRS 1900

> 27 dBm for EGPRS 850

> 26 dBm for EGPRS 1900

BS Signal Enter the same channel number for TCH channel (test channel) and BCCH channel

Frequency Offset > + 0 Hz

Mode > BCCH and TCH

BCCH Level > -85 dBm (May need to adjust if link is not stable)

BCCH Channel > choose desired test channel [Enter the same channel number for TCH channel (test channel) and BCCH channel]

Channel Type > Off

P0 > 4 dB

Slot Config > Unchanged (if already set under MS signal)

TCH > choose desired test channel

Hopping > Off

Main Timeslot > 3

Network Coding Scheme > CS4 (GPRS) and MCS5 (EGPRS)

Bit Stream > 2E9-1 PSR Bit Stream

AF/RF Enter appropriate offsets for Ext. Att. Output and Ext. Att. Input

Connection Press Signal on to turn on the signal and change settings

CDMA 1x RTT

Maximum output power is verified on the high, middle and low channels according to procedures in section 4.4.5.2 of 3GPP2 C.S0011/TIA-98-E. Steps 3 and 4 are measured using Loopback Service Option SO55 with power control bits in “All Up” condition. Step 10 is measured using TDSO/SO32 with power control bits in the “Bits Hold” condition (i.e. alternative Up/Down Bits).

Table 4.4.5.2-1. Test Parameters for Maximum RF Output Power with a Single Traffic Code Channel, Spreading Rate 1

Parameter	Units	Value
I_{or}	dBm/ 1.23 MHz	-104
$\frac{\text{Pilot } E_c}{I_{or}}$	dB	-7
$\frac{\text{Traffic } E_c}{I_{or}}$	dB	-7.4

Table 4.4.5.2-2. Test Parameters for Maximum RF Output Power with Multiple Traffic Code Channels, Spreading Rate 1

Parameter	Units	Value
$\frac{\text{Pilot } E_c}{I_{or}}$	dB	-7
$\frac{\text{Traffic } E_c}{I_{or}}$	dB	-7.4

EVDO

Maximum output power is verified on the high, middle and low channels according to procedures in section 3.1.2.3.4 of 3GPP2 C.S0033-0/TIA-866 for Rev. 0, section 4.3.4 of 3GPP2 C.S0033-A for Rev. A.

Maximum output power is measured for Rev. 0 and Rev. A in Subtype 0/1 and Subtype 2 Physical Layer configurations, respectively.

WCDMA Release 99

The following tests were conducted according to the test requirements outlines in section 5.2 of the 3GPP TS34.121-1 specification. The EUT has a nominal maximum output power of 24dBm (+1.7/-3.7).

WCDMA General Settings	Loopback Mode	Test Mode 1
	Rel99 RMC	12.2kbps RMC
	Power Control Algorithm	Algorithm2
	β_c/β_d	8/15

HSDPA

The following tests were conducted according to the test requirements outlines in section 5.2 of the 3GPP TS34.121-1 specification.

	Mode	HSDPA	HSDPA	HSDPA	HSDPA
	Subset	1	2	3	4
WCDMA General Settings	Loopback Mode	Test Mode 1			
	Rel99 RMC	12.2kbps RMC			
	HSDPA FRC	H-Set1			
	Power Control Algorithm	Algorithm2			
	β_c	2/15	12/15	15/15	15/15
	β_d	15/15	15/15	8/15	4/15
	$\beta_d(SF)$	64			
	β_c/β_d	2/15	12/15	15/8	15/4
	β_{hs}	4/15	24/15	30/15	30/15
MPR(dB)	0	0	0.5	0.5	
HSDPA Specific Settings	DACK	8			
	DNAK	8			
	DCQI	8			
	Ack-Nack repetition factor	3			
	CQI Feedback	4ms			
	CQI Repetition Factor	2			
	$A_{hs}=\beta_{hs}/\beta_c$	30/15			

HSUPA

The following tests were conducted according to the test requirements outlines in section 5.2 of the 3GPP TS34.121-1 specification.

	Mode	HSUPA	HSUPA	HSUPA	HSUPA	HSUPA
	Subset	1	2	3	4	5
WCDMA General Settings	Loopback Mode	Test Mode 1				
	Rel99 RMC	12.2kbps RMC				
	HSDPA FRC	H-Set1				
	HSUPA Test	HSUPA Loopback				
	Power Control Algorithm	Algorithm2				
	β_c	11/15	6/15	15/15	2/15	15/15
	β_d	15/15	15/15	9/15	15/15	0
	β_{cc}	209/225	12/15	30/15	2/15	5/15
	β_c / β_d	11/15	6/15	15/9	2/15	-
	β_{hs}	22/15	12/15	30/15	4/15	5/15
	CM(dB)	1.0	3.0	2.0	3.0	1.0
MPR(dB)	0	2	1	2	0	
HSDPA Specific Settings	DACK	8				
	DNAK	8				
	DCQI	8				
	Ack-Nack repetition factor	3				
	CQI Feedback	4ms				
	CQI Repetition Factor	2				
	$A_{hs} = \beta_{hs} / \beta_c$	30/15				
HSUPA Specific Settings	DE-DPCCH	6	8	8	5	7
	DHARQ	0	0	0	0	0
	AG Index	20	12	15	17	21
	ETFCI	75	67	92	71	81
	Associated Max UL Data Rate kbps	242.1	174.9	482.8	205.8	308.9
	Reference E_FCIs	E-TFCI 11 E E-TFCI PO 4 E-TFCI 67 E-TFCI PO 18 E-TFCI 71 E-TFCI PO23 E-TFCI 75 E-TFCI PO26 E-TFCI 81 E-TFCI PO 27	E-TFCI 11 E-TFCI PO4 E-TFCI 92 E-TFCI PO 18	E-TFCI 11 E-TFCI PO4 E-TFCI 92 E-TFCI PO 18	E-TFCI 11 E E-TFCI PO 4 E-TFCI 67 E-TFCI PO 18 E-TFCI 71 E-TFCI PO23 E-TFCI 75 E-TFCI PO26 E-TFCI 81 E-TFCI PO 27	

HSPA+

Sub-test	β_c (Note3)	β_d	β_{HS} (Note1)	β_{ec}	β_{ed} (2xSF2) (Note 4)	β_{ed} (2xSF4) (Note 4)	CM (dB) (Note 2)	MPR (dB) (Note 2)	AG Index (Note 4)	E-TFCI (Note 5)	E-TFCI (boost)
1	1	0	30/15	30/15	β_{ed1} : 30/15 β_{ed2} : 30/15	β_{ed3} : 24/15 β_{ed4} : 24/15	3.5	2.5	14	105	105

- Note 1: $\Delta_{ACK}, \Delta_{NACK}$ and $\Delta_{CQI} = 30/15$ with $\beta_{hs} = 30/15 * \beta_c$.
- Note 2: CM = 3.5 and the MPR is based on the relative CM difference, MPR = MAX(CM-1,0).
- Note 3: DPDCH is not configured, therefore the β_c is set to 1 and $\beta_d = 0$ by default.
- Note 4: β_{ed} can not be set directly; it is set by Absolute Grant Value.
- Note 5: All the sub-tests require the UE to transmit 2SF2+2SF4 16QAM EDCH and they apply for UE using E-DPDCH category 7. E-DCH TTI is set to 2ms TTI and E-DCH table index = 2. To support these E-DCH configurations DPDCH is not allocated. The UE is signalled to use the extrapolation algorithm.

The following tests were conducted according to the test requirements in Table C.11.1.4 of 3GPP TS 34.121-1

FDD-LTE

For UE Power Class 1 and 3, the allowed Maximum Power Reduction (MPR) for the maximum output power in Table 6.2.2-1 due to higher order modulation and transmit bandwidth configuration (resource blocks) is specified in Table 6.2.3-1.

Table 6.2.3-1: Maximum Power Reduction (MPR) for Power Class 1 and 3

Modulation	Channel bandwidth / Transmission bandwidth (N_{RB})						MPR (dB)
	1.4 MHz	3.0 MHz	5 MHz	10 MHz	15 MHz	20 MHz	
QPSK	> 5	> 4	> 8	> 12	> 16	> 18	≤ 1
16 QAM	≤ 5	≤ 4	≤ 8	≤ 12	≤ 16	≤ 18	≤ 1
16 QAM	> 5	> 4	> 8	> 12	> 16	> 18	≤ 2

For UE Power Class 1 and 3 the specific requirements and identified sub clauses are specified in Table 6.2.4-1 along with the allowed A-MPR values that may be used to meet these requirements. The allowed A-MPR values specified below in Table 6.2.4-1 to 6.2.4-15 are in addition to the allowed MPR requirements specified in sub clause 6.2.3.

Table 6.2.4-1: Additional Maximum Power Reduction (A-MPR)

Network Signalling value	Requirements (subclause)	E-UTRA Band	Channel bandwidth (MHz)	Resources Blocks (N_{RB})	A-MPR (dB)
NS_01	6.6.2.1.1	Table 5.5-1	1.4, 3, 5, 10, 15, 20	Table 5.6-1	N/A
NS_03	6.6.2.2.1	2, 4, 10, 23, 25, 35, 36	3	>5	≤ 1
			5	>6	≤ 1
			10	>6	≤ 1
			15	>8	≤ 1
			20	>10	≤ 1
NS_04	6.6.2.2.2	41	5	>6	≤ 1
NS_05	6.6.3.3.1	1	10, 15, 20	Table 6.2.4-4	≤ 1
NS_06	6.6.2.2.3	12, 13, 14, 17	1.4, 3, 5, 10	Table 5.6-1	N/A
NS_07	6.6.2.2.3	13	10	Table 6.2.4-2	
6.6.3.3.2					
NS_08	6.6.3.3.3	19	10, 15	> 44	≤ 3
NS_09	6.6.3.3.4	21	10, 15	> 40	≤ 1
				> 55	≤ 2
NS_10		20	15, 20	Table 6.2.4-3	
NS_11	6.6.2.2.1	23	1.4, 3, 5, 10, 15, 20	Table 6.2.4-5	
NS_12	6.6.3.3.5	26	1.4, 3, 5	Table 6.2.4-6	
NS_13	6.6.3.3.6	26	5	Table 6.2.4-7	
NS_14	6.6.3.3.7	26	10, 15	Table 6.2.4-8	
NS_15	6.6.3.3.8	26	1.4, 3, 5, 10, 15	Table 6.2.4-9 Table 6.2.4-10	
NS_16	6.6.3.3.9	27	3, 5, 10	Table 6.2.4-11, Table 6.2.4-12, Table 6.2.4-13	
NS_17	6.6.3.3.10	28	5, 10	Table 5.6-1	N/A
NS_18	6.6.3.3.11	28	5	≥ 2	≤ 1
			10, 15, 20	≥ 1	≤ 4
NS_19	6.6.3.3.12	44	10, 15, 20	Table 6.2.4-14	
NS_20	6.2.2 6.6.2.2.1 6.6.3.2	23	5, 10, 15, 20	Table 6.2.4-15	
...					
NS_32	-	-	-	-	-

TDD-LTE

3GPP TS 36.211 section 4.2 for Type 2 Frame Structure and Table 4.2-2 for uplink-downlink configurations and Table 4.2-1 for Special subframe configurations.

Table 4.2-1: Configuration of special subframe (lengths of DwPTS/GP/UpPTS).

Special subframe configuration	Normal cyclic prefix in downlink				Extended cyclic prefix in downlink		
	DwPTS	UpPTS		DwPTS	UpPTS		
		Normal cyclic prefix in uplink	Extended cyclic prefix in uplink		Normal cyclic prefix in uplink	Extended cyclic prefix in uplink	
0	$6592 \cdot T_s$	$2192 \cdot T_s$	$2560 \cdot T_s$	$7680 \cdot T_s$	$2192 \cdot T_s$	$2560 \cdot T_s$	
1	$19760 \cdot T_s$			$20480 \cdot T_s$			
2	$21952 \cdot T_s$			$23040 \cdot T_s$			
3	$24144 \cdot T_s$			$25600 \cdot T_s$			
4	$26336 \cdot T_s$			$7680 \cdot T_s$			
5	$6592 \cdot T_s$	$4384 \cdot T_s$	$5120 \cdot T_s$	$20480 \cdot T_s$	$4384 \cdot T_s$	$5120 \cdot T_s$	
6	$19760 \cdot T_s$			$23040 \cdot T_s$			
7	$21952 \cdot T_s$			$12800 \cdot T_s$			
8	$24144 \cdot T_s$			-			
9	$13168 \cdot T_s$			-			

Table 4.2-2: Uplink-downlink configurations.

Uplink-downlink configuration	Downlink-to-Uplink Switch-point periodicity	Subframe number									
		0	1	2	3	4	5	6	7	8	9
0	5 ms	D	S	U	U	U	D	S	U	U	U
1	5 ms	D	S	U	U	D	D	S	U	U	D
2	5 ms	D	S	U	D	D	D	S	U	D	D
3	10 ms	D	S	U	U	U	D	D	D	D	D
4	10 ms	D	S	U	U	D	D	D	D	D	D
5	10 ms	D	S	U	D	D	D	D	D	D	D
6	5 ms	D	S	U	U	U	D	S	U	U	D

Calculated Duty Cycle

Uplink-Downlink Configuration	Downlink-to-Uplink Switch-point Periodicity	Subframe Number										Calculated Duty Cycle (%)
		0	1	2	3	4	5	6	7	8	9	
0	5 ms	D	S	U	U	U	D	S	U	U	U	63.33
1	5 ms	D	S	U	U	D	D	S	U	U	D	43.33
2	5 ms	D	S	U	D	D	D	S	U	D	D	23.33
3	10 ms	D	S	U	U	U	D	D	D	D	D	31.67
4	10 ms	D	S	U	U	D	D	D	D	D	D	21.67
5	10 ms	D	S	U	D	D	D	D	D	D	D	11.67
6	5 ms	D	S	U	U	U	D	S	U	U	D	53.33

Calculated Duty Cycle = Extended cyclic prefix in uplink x (T_s) x # of S + # of U

Example for Calculated Duty Cycle for Uplink-Downlink Configuration 0:
 Calculated Duty Cycle = $5120 \times [1/(15000 \times 2048)] \times 2 + 6 \text{ ms} = 63.33\%$
 where
 T_s = 1/(15000 x 2048) seconds

Maximum Target Output Power

Max Target Power(dBm)			
Mode/Band	Channel		
	Low	Middle	High
GSM 850	33.5	33.5	33.5
GPRS 1 TX Slot	33.5	33.5	33.5
GPRS 2 TX Slot	33.2	33.2	33.2
GPRS 3 TX Slot	30.9	30.9	30.9
GPRS 4 TX Slot	28	28	28
EDGE 1 TX Slot	27.5	27.5	27.5
EDGE 2 TX Slot	26	26	26
EDGE 3 TX Slot	24.6	24.6	24.6
EDGE 4 TX Slot	23.4	23.4	23.4
PCS 1900	28.5	28.5	28.5
GPRS 1 TX Slot	28.5	28.5	28.5
GPRS 2 TX Slot	27.6	27.6	27.6
GPRS 3 TX Slot	26.4	26.4	26.4
GPRS 4 TX Slot	24.3	24.3	24.3
EDGE 1 TX Slot	25.5	25.5	25.5
EDGE 2 TX Slot	24.7	24.7	24.7
EDGE 3 TX Slot	23.7	23.7	23.7
EDGE 4 TX Slot	22.7	22.7	22.7
CDMA 850(CDMA 1x RTT)	22	22	22
CDMA 850(EVDO)	21.8	21.8	21.8
CDMA 1900(CDMA 1x RTT)	21.8	21.8	21.8
CDMA 1900(EVDO)	21.9	21.9	21.9
WCDMA Band 2	23.1	23.1	23.1
HSDPA	22	22	22
HSUPA	21.5	21.5	21.5
HSPA+	21.1	21.1	21.1
WCDMA Band 5	22.6	22.6	22.6
HSDPA	22.6	22.6	22.6
HSUPA	22.1	22.1	22.1
HSPA+	21.8	21.8	21.8
LTE Band 7	22.3	22.3	22.3
LTE Band 41	22.2	22.2	22.2
WLAN(802.11b)	9	9	9
WLAN(802.11g)	9	9	9
WLAN(802.11n HT20)	9	9	9
WLAN(802.11n HT40)	9	9	9
Bluetooth BDR/EDR	7	7	2
Bluetooth LE	-1	-1	-5

IS910.1 Test Results:

GSM:

Band	Channel No.	Frequency (MHz)	RF Output Power (dBm)
GSM 850	128	824.2	33.31
	190	836.6	33.19
	251	848.8	33.17
PCS 1900	512	1850.2	28.29
	661	1880	28.42
	810	1909.8	28.40

GPRS:

Band	Channel No.	Frequency (MHz)	RF Output Power (dBm)			
			1 slot	2 slots	3 slots	4 slots
GSM 850	128	824.2	33.39	33.13	30.82	27.93
	190	836.6	33.23	33.02	30.36	27.61
	251	848.8	33.05	32.97	30.27	27.39
PCS 1900	512	1850.2	28.33	26.55	26.29	22.68
	661	1880	28.42	27.51	26.28	23.89
	810	1909.8	28.34	27.45	26.24	24.17

EDGE:

Band	Channel No.	Frequency (MHz)	RF Output Power (dBm)			
			1 slot	2 slots	3 slots	4 slots
GSM 850	128	824.2	27.40	25.86	24.49	23.26
	190	836.6	26.97	25.41	24.18	22.83
	251	848.8	26.85	25.08	23.99	22.71
PCS 1900	512	1850.2	24.54	23.36	23.36	21.21
	661	1880	25.22	24.24	23.44	22.23
	810	1909.8	25.44	24.57	23.62	22.64

For SAR, the time based average power is relevant, the difference in between depends on the duty cycle of the TDMA signal.

Number of Time slot	1	2	3	4
Duty Cycle	1:8	1:4	1:2.66	1:2
Time based Ave. power compared to slotted Ave. power	-9 dB	-6 dB	-4.25 dB	-3 dB
Crest Factor	8	4	2.66	2

The time based average power for GPRS

Band	Channel No.	Frequency (MHz)	Time based average Power (dBm)			
			1 slot	2 slot	3 slots	4 slots
GSM 850	128	824.2	24.39	27.13	26.57	24.93
	190	836.6	24.23	27.02	26.11	24.61
	251	848.8	24.05	26.97	26.02	24.39
PCS 1900	512	1850.2	19.33	20.55	22.04	19.68
	661	1880	19.42	21.51	22.03	20.89
	810	1909.8	19.34	21.45	21.99	21.17

The time based average power for EDGE

Band	Channel No.	Frequency (MHz)	Time based average Power (dBm)			
			1 slot	2 slot	3 slots	4 slots
GSM 850	128	824.2	18.4	19.86	20.24	20.26
	190	836.6	17.97	19.41	19.93	19.83
	251	848.8	17.85	19.08	19.74	19.71
PCS 1900	512	1850.2	15.54	17.36	19.11	18.21
	661	1880	16.22	18.24	19.19	19.23
	810	1909.8	16.44	18.57	19.37	19.64

Note:

1. Rohde & Schwarz Radio Communication Tester (CMU200) was used for the measurement of GSM peak and average output power for active timeslots.
2. For GPRS, 1, 2, 3 and 4 timeslots has been activated separately with power level 3(850 MHz band) and 3(1900 MHz band).
3. According to KDB941225D01-SAR for EGPRS mode are not required when the source-based time-averaged output power for data mode is lower than that in the normal GPRS mode.

CDMA 1x RTT

Band	Channel No.	Frequency (MHz)	RF Output Power (dBm)			
			RC1+SO55	RC3+SO55	RC3+SO32 (FCH)	RC3+SO32 (SCH)
BC0	1013	824.70	21.35	21.62	21.25	21.35
	384	836.52	21.79	21.86	21.64	21.49
	777	848.31	21.68	21.69	21.59	21.62
BC1	25	1851.25	21.24	21.34	21.17	21.42
	600	1880	21.43	21.65	21.39	21.53
	1175	1908.75	21.56	21.37	21.54	21.55

EVDO

Band	Channel No.	Frequency (MHz)	RF Output Power (dBm)	
			RTAP 153.6kbps Subtype 0	RETAP 4096pbs Subtype 2
BC0	1013	824.7	21.71	21.26
	384	836.52	21.42	21.23
	777	848.31	21.52	21.45
BC1	25	1851.25	21.79	21.72
	600	1880	21.64	21.65
	1175	1908.75	21.56	21.52

**WCDMA:
Results (12.2kbps RMC)**

Band	Frequency (MHz)	RF Output Power (dBm)
WCDMA Band 2	1852.4	22.59
	1880	22.64
	1907.6	22.96
WCDMA Band 5	826.4	22.49
	836.6	22.52
	846.6	22.45

Results (HSDPA)

Band	Frequency (MHz)	RF Output Power (dBm)			
		Subset 1	Subset 2	Subset 3	Subset 4
WCDMA Band 2	1852.4	20.85	20.96	20.72	20.96
	1880	21.22	21.17	21.13	21.32
	1907.6	21.69	21.88	21.58	21.83
WCDMA Band 5	826.4	22.45	22.26	22.36	22.19
	836.6	22.33	22.29	22.39	22.26
	846.6	22.32	22.30	22.46	22.29

Results (HSUPA)

Band	Frequency (MHz)	RF Output Power (dBm)				
		Subset 1	Subset 2	Subset 3	Subset 4	Subset 5
WCDMA Band 2	1852.4	20.52	20.58	20.56	20.49	20.60
	1880	20.68	20.50	20.80	20.54	20.58
	1907.6	21.10	21.23	21.18	21.18	21.21
WCDMA Band 5	826.4	21.81	21.67	21.89	21.64	21.94
	836.6	21.90	21.80	21.94	21.74	21.96
	846.6	21.86	21.87	21.94	21.70	21.81

Results (HSPA+)

Band	Frequency (MHz)	RF Output Power (dBm)
WCDMA Band 2	1852.4	20.42
	1880	20.55
	1907.6	21.08
WCDMA Band 5	826.4	21.61
	836.6	21.67
	846.6	21.64

Note:

1. The default test configuration is to measure SAR with an established radio link between the EUT and a communication test set using a 12.2 kbps RMC (reference measurement Channel) Configured in Test Loop Model 1.
2. KDB 941225 D01-Body SAR is not required for HSDPA/HSUPA/HSPA+ when the maximum average output of each RF channel is less than ¼ dB higher than measured 12.2kbps RMC or the maximum SAR for 12.2kbps RMC is < 75% of SAR limit.

LTE Band 7:

Test Bandwidth	Test Modulation	Resource Block & RB offset	Target MPR	Meas MPR	Low Channel (dBm)	Middle Channel (dBm)	High Channel (dBm)
5M	QPSK	1#0	0	0	22.11	21.75	21.54
		1#12	0	0	21.66	21.32	21.62
		1#24	0	0	21.94	21.4	21.64
		12#0	1	1	21.39	21.62	21.89
		12#6	1	1	21.29	21.37	20.95
		12#11	1	1	20.86	21.4	21.21
		25#0	1	1	21.52	21.14	21.45
	16-QAM	1#0	1	1	21.12	21.8	21.76
		1#12	1	1	21.44	21.52	21.14
		1#24	1	1	21.5	20.95	21.22
		12#0	2	2	21.66	21.76	21.32
		12#6	2	2	21.88	21.28	21.07
		12#11	2	2	21.37	21.47	21.91
		25#0	2	2	21.56	21.5	21.8
10M	QPSK	1#0	0	0	21.31	21.8	21.01
		1#24	0	0	21.43	21.69	21.02
		1#49	0	0	21.95	21.86	21.13
		25#0	1	1	20.93	21.29	21.25
		25#12	1	1	21.47	21	21.61
		25#24	1	1	21.43	20.87	20.77
		50#0	1	1	20.67	20.69	21.1
	16-QAM	1#0	1	1	21.07	21.53	21.55
		1#24	1	1	22.2	21.37	21.99
		1#49	1	1	21.59	21.6	22.21
		25#0	2	2	21.73	21.44	21.92
		25#12	2	2	22.17	21.89	21.62
		25#24	2	2	21.23	21.49	21.59
		50#0	2	2	21.62	21.73	22.29
15M	QPSK	1#0	0	0	21.38	21.11	21.74
		1#37	0	0	21.45	21.59	21.61
		1#74	0	0	21.26	21.85	21.13
		36#0	1	1	20.97	21.82	21.36
		36#17	1	1	21.48	21.54	21.58
		36#35	1	1	21.24	21.4	21.34
		75#0	1	1	21.08	21.21	20.91
	16-QAM	1#0	1	1	21.2	21.13	21.67
		1#37	1	1	21.73	21.41	21.74
		1#74	1	1	21.97	21.57	21.12
		36#0	2	2	21.12	21.42	21.43
		36#17	2	2	22.08	21.17	21.87
		36#35	2	2	22.04	22.15	21.31
		75#0	2	2	21.61	22.02	21.36

Test Bandwidth	Test Modulation	Resource Block & RB offset	Target MPR	Meas MPR	Low Channel (dBm)	Middle Channel (dBm)	High Channel (dBm)
20M	QPSK	1#0	0	0	22.15	22.03	22.1
		1#49	0	0	21.82	21.8	21.62
		1#99	0	0	21.81	21.57	21.53
		50#0	1	1	21.65	21.35	21.5
		50#24	1	1	21.17	21.91	20.98
		50#49	1	1	21.41	21.19	20.95
		100#0	1	1	20.95	20.72	20.88
	16-QAM	1#0	1	1	21	21.67	20.81
		1#49	1	1	20.61	20.37	21.04
		1#99	1	1	20.84	20.99	21.37
		50#0	2	2	20.89	21	21.28
		50#24	2	2	20.59	20.93	20.66
		50#49	2	2	21.1	21.18	20.97
		100#0	2	2	20.34	20.54	20.92

LTE Band 41:

Test Bandwidth	Test Modulation	Resource Block & RB offset	Target MPR	Meas MPR	Low Channel (dBm)	Middle Channel (dBm)	High Channel (dBm)
5M	QPSK	1#0	0	0	21.78	21.4	21.43
		1#12	0	0	21.36	21.57	21.51
		1#24	0	0	21.53	21.79	21.63
		12#0	1	1	21.63	21.53	21.45
		12#6	1	1	21.45	21.45	21.38
		12#11	1	1	21.36	21.12	21.33
		25#0	1	1	21.15	21.45	21.41
	16-QAM	1#0	1	1	21.87	21.72	21.51
		1#12	1	1	21.65	21.66	21.54
		1#24	1	1	21.08	21.4	21.47
		12#0	2	2	21.84	21.41	21.46
		12#6	2	2	21.32	21.54	21.35
		12#11	2	2	21.52	21.44	21.63
		25#0	2	2	21.46	21.21	21.41
10M	QPSK	1#0	0	0	21.29	21.41	21.5
		1#24	0	0	21.49	21.42	21.55
		1#49	0	0	21.39	21.29	21.3
		25#0	1	1	21.07	21.3	21.25
		25#12	1	1	21.47	21.29	21.27
		25#24	1	1	21.54	21.08	21.27
		50#0	1	1	20.8	20.61	21.15
	16-QAM	1#0	1	1	21.19	21.57	21.42
		1#24	1	1	21.27	21.57	21.62
		1#49	1	1	21.66	21.53	21.89
		25#0	2	2	21.73	21.66	21.67
		25#12	2	2	22.17	21.53	21.6
		25#24	2	2	21.38	21.53	21.56
		50#0	2	2	21.74	21.35	21.87
15M	QPSK	1#0	0	0	21.34	21.47	21.5
		1#37	0	0	21.58	21.42	21.26
		1#74	0	0	21.29	21.51	21.41
		36#0	1	1	21.04	21.47	21.43
		36#17	1	1	21.5	21.32	21.51
		36#35	1	1	21.23	21.17	21.6
		75#0	1	1	21.15	21.19	21.3
	16-QAM	1#0	1	1	21.34	21.2	21.31
		1#37	1	1	21.74	21.62	21.61
		1#74	1	1	21.96	21.79	21.62
		36#0	2	2	21.26	21.68	21.55
		36#17	2	2	21.33	21.81	21.5
		36#35	2	2	21.99	21.88	21.63
		75#0	2	2	21.64	21.83	21.52

Test Bandwidth	Test Modulation	Resource Block & RB offset	Target MPR	Meas MPR	Low Channel (dBm)	Middle Channel (dBm)	High Channel (dBm)
20M	QPSK	1#0	0	0	21.93	21.96	21.89
		1#49	0	0	21.61	21.97	21.54
		1#99	0	0	20.96	21.27	21.18
		50#0	1	1	21.68	21.09	21.23
		50#24	1	1	21.27	21.75	21.34
		50#49	1	1	21.55	21.17	21.48
		100#0	1	1	20.93	20.98	21.17
	16-QAM	1#0	1	1	21.08	21.36	20.99
		1#49	1	1	20.59	20.96	20.82
		1#99	1	1	20.81	21.13	20.91
		50#0	2	2	20.99	21.08	21.13
		50#24	2	2	20.61	20.69	20.98
		50#49	2	2	21.11	20.99	20.82
		100#0	2	2	20.34	20.99	20.82

Note:

1. SAR for LTE band exposure configurations is measured according to the procedures of KDB 941225 D05 SAR for LTE Devices v02.
2. The CMW500 Wideband Radio Communication tester is used for LTE output power measurements and SAR testing. Closed loop power control is used to keep the radio transmitters the max output power during the test.
3. KDB941225D05v02- SAR for higher order modulation is required only when the highest maximum output power for the configuration in the higher order modulation is > ½ dB higher than the same configuration in QPSK or when the reported SAR for the QPSK configuration is > 1.45 W/kg

WLAN:

Mode	Channel frequency (MHz)	Data Rate	RF Output Power(dBm)
802.11b	2412	1Mbps	8.53
	2442		8.83
	2462		8.67
802.11g	2412	6Mbps	8.08
	2442		8.21
	2462		8.97
802.11n HT20	2412	MCS0	8.24
	2442		8.08
	2462		8.77
802.11n HT40	2422	MCS0	8.06
	2442		8.16
	2452		8.03

Bluetooth:

Mode	Channel frequency (MHz)	RF Output Power (dBm)
BDR(GFSK)	2402	5.17
	2431	6.69
	2441	5.45
	2480	1.41
EDR($\pi/4$ -DQPSK)	2402	4.41
	2441	4.68
	2448	6.24
	2480	1.50
EDR(8-DPSK)	2402	4.65
	2441	4.99
	2445	6.62
	2480	1.78
Bluetooth LE	2402	-2.28
	2440	-1.25
	2480	-5.52

Note: For BDR/EDR,the highest output channel did not located in Low, Middle or High channel, another more channel that has the highest output channel (2431/2445/2448 MHz) was selected to test.

RG910 Test Results:

GSM:

Band	Channel No.	Frequency (MHz)	RF Output Power (dBm)
GSM 850	128	824.2	33.28
	190	836.6	33.13
	251	848.8	33.11
PCS 1900	512	1850.2	28.26
	661	1880	28.39
	810	1909.8	28.36

GPRS:

Band	Channel No.	Frequency (MHz)	RF Output Power (dBm)			
			1 slot	2 slots	3 slots	4 slots
GSM 850	128	824.2	33.31	33.12	30.74	27.88
	190	836.6	33.20	33.11	30.24	27.68
	251	848.8	33.10	33.03	30.18	27.45
PCS 1900	512	1850.2	28.35	26.63	26.12	22.61
	661	1880	28.41	27.39	26.15	23.75
	810	1909.8	28.38	27.48	26.14	24.04

EDGE:

Band	Channel No.	Frequency (MHz)	RF Output Power (dBm)			
			1 slot	2 slots	3 slots	4 slots
GSM 850	128	824.2	27.43	25.82	24.55	23.32
	190	836.6	27.07	25.27	24.07	22.97
	251	848.8	26.95	25.10	23.96	22.70
PCS 1900	512	1850.2	24.42	23.32	23.27	21.15
	661	1880	25.26	24.30	23.43	22.21
	810	1909.8	25.42	24.52	23.65	22.65

For SAR, the time based average power is relevant, the difference in between depends on the duty cycle of the TDMA signal.

Number of Time slot	1	2	3	4
Duty Cycle	1:8	1:4	1:2.66	1:2
Time based Ave. power compared to slotted Ave. power	-9 dB	-6 dB	-4.25 dB	-3 dB
Crest Factor	8	4	2.66	2

The time based average power for GPRS

Band	Channel No.	Frequency (MHz)	Time based average Power (dBm)			
			1 slot	2 slot	3 slots	4 slots
GSM 850	128	824.2	24.31	27.12	26.49	24.88
	190	836.6	24.2	27.11	25.99	24.68
	251	848.8	24.1	27.03	25.93	24.45
PCS 1900	512	1850.2	19.35	20.63	21.87	19.61
	661	1880	19.41	21.39	21.9	20.75
	810	1909.8	19.38	21.48	21.89	21.04

The time based average power for EDGE

Band	Channel No.	Frequency (MHz)	Time based average Power (dBm)			
			1 slot	2 slot	3 slots	4 slots
GSM 850	128	824.2	18.43	19.82	20.3	20.32
	190	836.6	18.07	19.27	19.82	19.97
	251	848.8	17.95	19.1	19.71	19.70
PCS 1900	512	1850.2	15.42	17.32	19.02	18.15
	661	1880	16.26	18.3	19.18	19.21
	810	1909.8	16.42	18.52	19.4	19.65

Note:

1. Rohde & Schwarz Radio Communication Tester (CMU200) was used for the measurement of GSM peak and average output power for active timeslots.
2. For GPRS, 1, 2, 3 and 4 timeslots has been activated separately with power level 3(850 MHz band) and 3(1900 MHz band).
3. According to KDB941225D01-SAR for EGPRS mode are not required when the source-based time-averaged output power for data mode is lower than that in the normal GPRS mode.

CDMA 1x RTT

Band	Channel No.	Frequency (MHz)	RF Output Power (dBm)			
			RC1+SO55	RC3+SO55	RC3+SO32 (FCH)	RC3+SO32 (SCH)
BC0	1013	824.70	21.22	21.54	21.23	21.26
	384	836.52	21.65	21.83	21.57	21.35
	777	848.31	21.59	21.61	21.43	21.47
BC1	25	1851.25	21.22	21.42	21.22	21.52
	600	1880	21.38	21.61	21.45	21.58
	1175	1908.75	21.59	21.39	21.56	21.59

EVDO

Band	Channel No.	Frequency (MHz)	RF Output Power (dBm)	
			RTAP 153.6kbps Subtype 0	RETAP 4096pbs Subtype 2
BC0	1013	824.7	21.68	21.24
	384	836.52	21.33	21.28
	777	848.31	21.42	21.67
BC1	25	1851.25	21.75	21.64
	600	1880	21.62	21.45
	1175	1908.75	21.51	21.49

**WCDMA:
Results (12.2kbps RMC)**

Band	Frequency (MHz)	RF Output Power (dBm)
WCDMA Band 2	1852.4	22.54
	1880	22.64
	1907.6	22.88
WCDMA Band 5	826.4	22.43
	836.6	22.46
	846.6	22.40

Results (HSDPA)

Band	Frequency (MHz)	RF Output Power (dBm)			
		Subset 1	Subset 2	Subset 3	Subset 4
WCDMA Band 2	1852.4	20.98	20.95	20.84	21.03
	1880	21.19	21.31	21.12	21.15
	1907.6	21.79	21.79	21.76	21.90
WCDMA Band 5	826.4	22.45	22.19	22.33	22.18
	836.6	22.44	22.36	22.41	22.19
	846.6	22.24	22.17	22.32	22.15

Results (HSUPA)

Band	Frequency (MHz)	RF Output Power (dBm)				
		Subset 1	Subset 2	Subset 3	Subset 4	Subset 5
WCDMA Band 2	1852.4	20.60	20.43	20.65	20.52	20.66
	1880	20.56	20.62	20.78	20.46	20.61
	1907.6	21.17	21.18	21.32	21.22	21.17
WCDMA Band 5	826.4	21.79	21.79	21.96	21.68	21.87
	836.6	21.88	21.79	21.86	21.83	21.94
	846.6	21.85	21.74	21.83	21.70	21.77

Results (HSPA+)

Band	Frequency (MHz)	RF Output Power (dBm)
WCDMA Band 2	1852.4	20.40
	1880	20.42
	1907.6	20.98
WCDMA Band 5	826.4	21.63
	836.6	21.65
	846.6	21.61

Note:

1. The default test configuration is to measure SAR with an established radio link between the EUT and a communication test set using a 12.2 kbps RMC (reference measurement Channel) Configured in Test Loop Model 1.
2. KDB 941225 D01-Body SAR is not required for HSDPA/HSUPA/HSPA+ when the maximum average output of each RF channel is less than ¼ dB higher than measured 12.2kbps RMC or the maximum SAR for 12.2kbps RMC is < 75% of SAR limit.

LTE Band 7:

Test Bandwidth	Test Modulation	Resource Block & RB offset	Target MPR	Meas MPR	Low Channel (dBm)	Middle Channel (dBm)	High Channel (dBm)
5M	QPSK	1#0	0	0	22.06	21.65	21.46
		1#12	0	0	21.55	21.28	21.57
		1#24	0	0	22.06	21.34	21.63
		12#0	1	1	21.45	21.53	21.95
		12#6	1	1	21.3	21.5	21.11
		12#11	1	1	20.88	21.39	21.23
		25#0	1	1	21.35	21.18	21.4
	16-QAM	1#0	1	1	21.14	21.73	21.76
		1#12	1	1	21.47	21.56	21.13
		1#24	1	1	21.54	21.06	21.28
		12#0	2	2	21.84	21.62	21.47
		12#6	2	2	21.79	21.33	21.02
		12#11	2	2	21.47	21.38	21.86
		25#0	2	2	21.58	21.46	21.79
10M	QPSK	1#0	0	0	21.16	21.69	21.13
		1#24	0	0	21.5	21.69	21.01
		1#49	0	0	21.96	21.77	21.25
		25#0	1	1	20.89	21.34	21.2
		25#12	1	1	21.49	20.93	21.51
		25#24	1	1	21.55	20.96	20.76
		50#0	1	1	20.74	20.57	21
	16-QAM	1#0	1	1	21.06	21.48	21.64
		1#24	1	1	22.06	21.28	21.98
		1#49	1	1	21.63	21.7	22.08
		25#0	2	2	21.71	21.57	21.91
		25#12	2	2	22.11	21.73	21.64
		25#24	2	2	21.19	21.49	21.6
		50#0	2	2	21.71	21.79	22.12
15M	QPSK	1#0	0	0	21.34	21.1	21.86
		1#37	0	0	21.58	21.63	21.59
		1#74	0	0	21.12	21.84	21.05
		36#0	1	1	21	21.93	21.38
		36#17	1	1	21.49	21.49	21.57
		36#35	1	1	21.19	21.41	21.33
		75#0	1	1	20.98	21.23	20.94
	16-QAM	1#0	1	1	21.27	21.08	21.76
		1#37	1	1	21.74	21.38	21.79
		1#74	1	1	21.82	21.64	21.04
		36#0	2	2	21.12	21.32	21.42
		36#17	2	2	22.1	21.23	21.95
		36#35	2	2	22.08	22.11	21.29
		75#0	2	2	21.62	22.1	21.39

Test Bandwidth	Test Modulation	Resource Block & RB offset	Target MPR	Meas MPR	Low Channel (dBm)	Middle Channel (dBm)	High Channel (dBm)
20M	QPSK	1#0	0	0	22.08	21.94	21.87
		1#49	0	0	21.72	21.81	21.45
		1#99	0	0	21.87	21.62	21.46
		50#0	1	1	21.55	21.37	21.36
		50#24	1	1	21.19	21.86	20.86
		50#49	1	1	21.45	21.35	21.08
		100#0	1	1	20.95	20.68	20.89
	16-QAM	1#0	1	1	20.91	21.71	20.91
		1#49	1	1	20.6	20.49	21.07
		1#99	1	1	20.98	21.08	21.34
		50#0	2	2	20.9	20.82	21.33
		50#24	2	2	20.68	20.97	20.77
		50#49	2	2	21.14	21.18	20.97
		100#0	2	2	20.33	20.51	20.78

LTE Band 41:

Test Bandwidth	Test Modulation	Resource Block & RB offset	Target MPR	Meas MPR	Low Channel (dBm)	Middle Channel (dBm)	High Channel (dBm)
5M	QPSK	1#0	0	0	21.53	21.42	21.49
		1#12	0	0	21.66	21.66	21.46
		1#24	0	0	21.51	21.74	21.63
		12#0	1	1	21.52	21.56	21.5
		12#6	1	1	21.37	21.35	21.4
		12#11	1	1	21.49	21.16	21.47
		25#0	1	1	21.22	21.37	21.39
	16-QAM	1#0	1	1	21.51	21.7	21.52
		1#12	1	1	21.49	21.7	21.51
		1#24	1	1	21.55	21.53	21.53
		12#0	2	2	21.48	21.41	21.47
		12#6	2	2	21.54	21.61	21.36
		12#11	2	2	21.48	21.49	21.6
		25#0	2	2	21.31	21.04	21.33
10M	QPSK	1#0	0	0	21.44	21.4	21.43
		1#24	0	0	21.38	21.49	21.42
		1#49	0	0	21.33	21.25	21.36
		25#0	1	1	21.4	21.28	21.22
		25#12	1	1	21.28	21.18	21.32
		25#24	1	1	21.32	20.98	21.27
		50#0	1	1	21.16	20.65	21.16
	16-QAM	1#0	1	1	21.6	21.44	21.45
		1#24	1	1	21.64	21.6	21.54
		1#49	1	1	21.72	21.55	21.79
		25#0	2	2	21.6	21.63	21.65
		25#12	2	2	21.59	21.63	21.64
		25#24	2	2	21.67	21.51	21.61
		50#0	2	2	21.67	21.53	21.81
15M	QPSK	1#0	0	0	21.33	21.59	21.47
		1#37	0	0	21.24	21.3	21.31
		1#74	0	0	21.5	21.6	21.37
		36#0	1	1	21.57	21.63	21.37
		36#17	1	1	21.47	21.42	21.67
		36#35	1	1	21.33	21.09	21.55
		75#0	1	1	21.48	21.18	21.23
	16-QAM	1#0	1	1	21.32	21.18	21.35
		1#37	1	1	21.53	21.7	21.47
		1#74	1	1	21.68	21.75	21.51
		36#0	2	2	21.47	21.66	21.66
		36#17	2	2	21.66	21.65	21.59
		36#35	2	2	21.55	22.15	21.73
		75#0	2	2	21.55	21.83	21.54

Test Bandwidth	Test Modulation	Resource Block & RB offset	Target MPR	Meas MPR	Low Channel (dBm)	Middle Channel (dBm)	High Channel (dBm)
20M	QPSK	1#0	0	0	21.82	21.89	21.81
		1#49	0	0	21.65	21.74	21.61
		1#99	0	0	21.28	21.58	21.65
		50#0	1	1	21.33	21.03	21.26
		50#24	1	1	21.45	21.67	21.33
		50#49	1	1	21.2	21.19	21.43
		100#0	1	1	21.29	21.01	21.21
	16-QAM	1#0	1	1	21.03	21.2	20.96
		1#49	1	1	20.92	20.9	20.92
		1#99	1	1	21.09	21.15	20.95
		50#0	2	2	20.9	21	21.18
		50#24	2	2	20.77	20.85	20.87
		50#49	2	2	20.9	21.07	20.81
		100#0	2	2	20.91	21.04	20.9

Note:

1. SAR for LTE band exposure configurations is measured according to the procedures of KDB 941225 D05 SAR for LTE Devices v02.
2. The CMW500 Wideband Radio Communication tester is used for LTE output power measurements and SAR testing. Closed loop power control is used to keep the radio transmitters the max output power during the test.
3. KDB941225D05v02- SAR for higher order modulation is required only when the highest maximum output power for the configuration in the higher order modulation is > ½ dB higher than the same configuration in QPSK or when the reported SAR for the QPSK configuration is > 1.45 W/kg

WLAN:

Mode	Channel frequency (MHz)	Data Rate	RF Output Power(dBm)
802.11b	2412	1Mbps	8.67
	2442		8.81
	2462		8.60
802.11g	2412	6Mbps	8.17
	2442		8.10
	2462		8.94
802.11n HT20	2412	MCS0	8.07
	2442		8.09
	2462		8.74
802.11n HT40	2422	MCS0	7.93
	2442		8.14
	2452		8.10

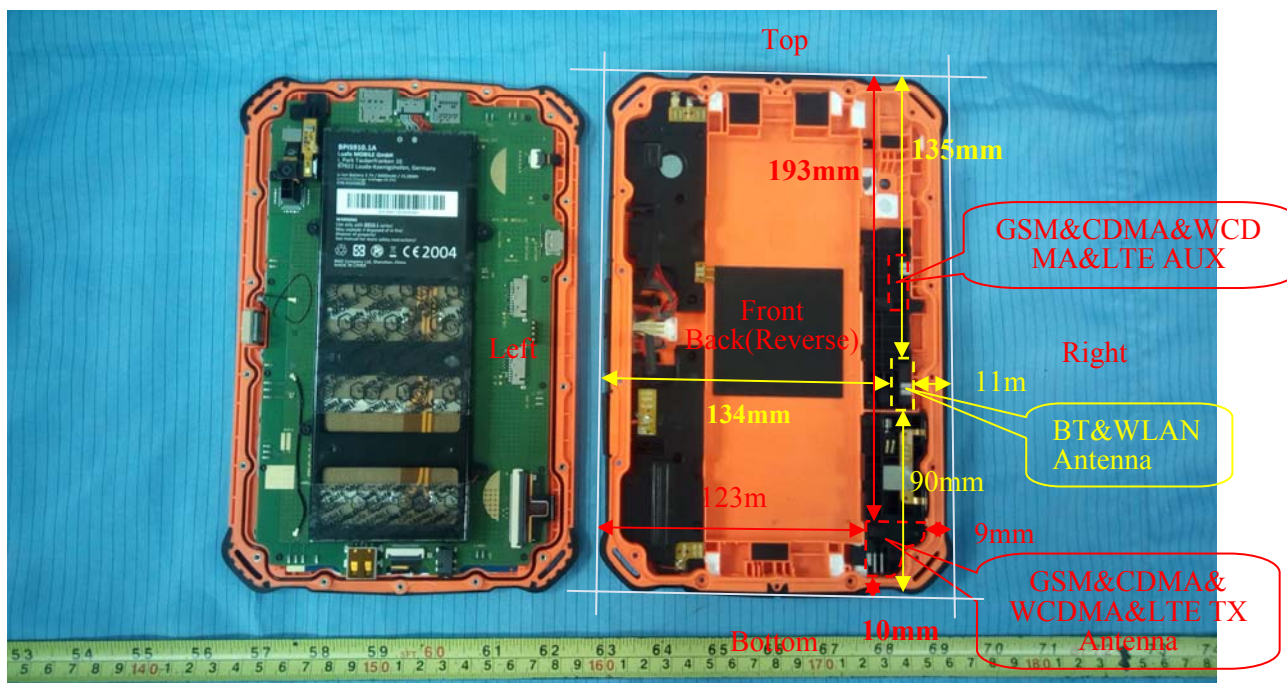
Bluetooth:

Mode	Channel frequency (MHz)	RF Output Power (dBm)
BDR(GFSK)	2402	5.13
	2431	6.62
	2441	5.45
	2480	1.53
EDR($\pi/4$ -DQPSK)	2402	4.50
	2441	4.55
	2448	6.33
	2480	1.33
EDR(8-DPSK)	2402	4.84
	2441	4.90
	2445	6.58
	2480	1.69
Bluetooth LE	2402	-2.26
	2440	-1.38
	2480	-5.49

Note: For BDR/EDR,the highest output channel did not located in Low, Middle or High channel, another more channel that has the highest output channel (2431/2445/2448 MHz) was selected to test.

Standalone SAR test exclusion considerations

Antennas Location:



Antenna Distance To Edge

Antenna Distance To Edge(mm)					
Antenna	Back	Left	Right	Top	Bottom
WWAN(GSM/CDMA/WCDMA/LTE)	< 5	123	9	193	10
WLAN/BT Antenna	< 5	134	11	135	90

Standalone SAR test exclusion considerations

Mode	Frequency (MHz)	Pavg (dBm)	Pavg (mW)	Distance (mm)	Calculated value	Threshold (1-g)	SAR Test Exclusion
WLAN	2462	9	7.94	0	2.5	3	YES
Bluetooth	2480	7	5.01	0	1.6	3	YES

NOTE:

The 1-g and 10-g SAR test exclusion thresholds for 100 MHz to 6 GHz at test separation distances ≤ 50 mm are determined by:

$$[(\text{max. power of channel, including tune-up tolerance, mW}) / (\text{min. test separation distance, mm})] \cdot [\sqrt{f(\text{GHz})}] \leq 3.0 \text{ for 1-g SAR and } \leq 7.5 \text{ for 10-g extremity SAR, where}$$

1. $f(\text{GHz})$ is the RF channel transmit frequency in GHz.
2. Power and distance are rounded to the nearest mW and mm before calculation.
3. The result is rounded to one decimal place for comparison.
4. When the minimum test separation distance is < 5 mm, a distance of 5 mm is applied to determine SAR test Exclusion.

Standalone SAR test exclusion considerations detail:

Mode	Frequency (MHz)	Pavg (dBm)	Pavg (mW)	Test Exclusion Distance (mm)
GSM 850	848.8	27.2	524.8	114
PCS 1900	1909.8	22.1	162.2	55
CDMA 850	848.31	22	158.5	49
CDMA 1900	1908.75	21.8	151.4	54
WCDMA Band 2	1907.6	22.96	197.7	59
WCDMA Band 5	846.6	22.52	178.6	53
LTE Band 7	2560	22.3	169.8	58
LTE Band 41	2605	22.2	166	58

SAR test exclusion for the EUT edge considerations Result

Mode	Back	Left	Right	Top	Bottom
GSM 850	Required	Exclusion	Required	Exclusion	Required
PCS 1900	Required	Exclusion	Required	Exclusion	Required
CDMA 850	Required	Exclusion	Required	Exclusion	Required
CDMA 1900	Required	Exclusion	Required	Exclusion	Required
WCDMA Band 2	Required	Exclusion	Required	Exclusion	Required
WCDMA Band 5	Required	Exclusion	Required	Exclusion	Required
LTE Band 7	Required	Exclusion	Required	Exclusion	Required
LTE Band 41	Required	Exclusion	Required	Exclusion	Required
WLAN	Selected	Exclusion	Selected	Exclusion	Exclusion
BT	Selected	Exclusion	Selected	Exclusion	Exclusion

Note:

Required: The distance is less than **Test Exclusion Distance**, the SAR test is required.

Exclusion: The distance is large than **Test Exclusion Distance**, SAR test is not required.

Selected: Though SAR scan can be excluded, measurement for this edge was selected to be performed for conservative consideration.

SAR test exclusion for the EUT edge considerations detail:

Distance < 50mm (To Edges)

The 1-g and 10-g SAR test exclusion thresholds for 100 MHz to 6 GHz at test separation distances ≤ 50 mm are determined by:

$$[(\text{max. power of channel, including tune-up tolerance, mW}) / (\text{min. test separation distance, mm})] \cdot [\sqrt{f(\text{GHz})}] \leq 3.0 \text{ for 1-g SAR and } \leq 7.5 \text{ for 10-g extremity SAR, where}$$

- f(GHz) is the RF channel transmit frequency in GHz.
- Power and distance are rounded to the nearest mW and mm before calculation.
- The result is rounded to one decimal place for comparison.
- When the minimum test separation distance is < 5 mm, a distance of 5 mm is applied to determine SAR test Exclusion.
- The Time based average Power is used for calculation

Distance > 50mm (To Edges)

At 100 MHz to 6 GHz and for *test separation distances* > 50 mm, the SAR test exclusion threshold is determined according to the following:

a) [Power allowed at numeric threshold for 50 mm in step 1) + (test separation distance - 50 mm) · (f(MHz)/150)] mW, at 100 MHz to 1500 MHz

b) [Power allowed at numeric threshold for 50 mm in step 1) + (test separation distance - 50 mm) · 10] mW at > 1500 MHz and ≤ 6 GHz

SAR MEASUREMENT RESULTS

This page summarizes the results of the performed dosimetric evaluation.

SAR Test Data

Environmental Conditions

Temperature:	21.5-22.1 °C	21.7-22.5 °C	20.6-21.8 °C	20.3-21.0 °C
Relative Humidity:	50 %	49 %	42 %	50 %
ATM Pressure:	101.6 kPa	101.3 kPa	101.3 kPa	101.3 kPa
Test Date:	2018/06/09	2018/06/10	2018/06/12	2018/06/13

Testing was performed by Gaochao Gong, Sam Liang, William Ye.

GSM 850:

EUT Position	Tested Model	Frequency (MHz)	Test Mode	Max. Meas. Power (dBm)	Max. Rated Power (dBm)	1g SAR (W/kg)				
						Scaled Factor	Meas. SAR	Scaled SAR	Corrected SAR	Plot
Body Worn Back (0mm)	IS910.1	824.2	GSM	/	/	/	/	/	/	/
		836.6	GSM	33.19	33.5	1.074	0.128	0.137	0.14	1#
		848.8	GSM	/	/	/	/	/	/	/
Body Back (0mm)	IS910.1	824.2	GPRS	33.13	33.2	1.016	0.198	0.201	0.20	2#
		836.6	GPRS	33.02	33.2	1.042	0.192	0.200	0.20	3#
		848.8	GPRS	32.97	33.2	1.054	0.174	0.183	0.18	4#
	RG910	824.2	GPRS	33.12	33.2	1.019	0.180	0.183	0.18	5#
Body Right (0mm)	IS910.1	824.2	GPRS	/	/	/	/	/	/	/
		836.6	GPRS	33.02	33.2	1.042	0.071	0.074	0.07	6#
		848.8	GPRS	/	/	/	/	/	/	/
Body Bottom (0mm)	IS910.1	824.2	GPRS	/	/	/	/	/	/	/
		836.6	GPRS	33.02	33.2	1.042	0.170	0.177	0.18	7#
		848.8	GPRS	/	/	/	/	/	/	/

Note:

1. When the 1-g SAR is $\leq 0.8W/kg$, testing for other channels are optional.
2. The EUT transmit and receive through the same GSM antenna while testing SAR.
3. When SAR or MPE is not measured at the maximum power level allowed for production units, the results must be scaled to the maximum tune-up tolerance limit according to the power applied to the individual channels tested to determine compliance.
4. When the maximum output power variation across the required test channels is $> \frac{1}{2}$ dB, instead of the middle channel, the highest output power channel must be used.
5. The Multi-slot Classes of EUT is Class 12 which has maximum 4 Downlink slots and 4 Uplink slots, the maximum active slots is 5, when perform the multiple slots scan, 3DL+2UL is the worst case.
6. According to IEC 62209-2:2010 ,If the correction ΔSAR has a positive sign, the measured SAR results shall not be corrected.

GSM 1900:

EUT Position	Tested Model	Frequency (MHz)	Test Mode	Max. Meas. Power (dBm)	Max. Rated Power (dBm)	1g SAR (W/kg)				
						Scaled Factor	Meas. SAR	Scaled SAR	Corrected SAR	Plot
Body Worn Back (0mm)	IS910.1	1850.2	GSM	28.29	28.5	1.050	0.875	0.919	0.95	8#
		1880	GSM	28.42	28.5	1.019	0.835	0.851	0.87	9#
		1909.8	GSM	28.4	28.5	1.023	0.750	0.767	0.77	10#
Body Back (0mm)	IS910.1	1850.2	GPRS	26.29	26.4	1.026	0.931	0.95	0.98	11#
		1880	GPRS	26.28	26.4	1.028	1.07	1.100	1.12	12#
		1909.8	GPRS	26.24	26.4	1.038	0.931	0.966	1.00	13#
	RG910	1880	GPRS	26.15	26.4	1.059	0.765	0.810	0.82	14#
Body Right (0mm)	IS910.1	1850.2	GPRS	26.29	26.4	1.026	0.630	0.646	0.67	15#
		1880	GPRS	26.28	26.4	1.028	0.864	0.888	0.90	16#
		1909.8	GPRS	26.24	26.4	1.038	0.795	0.825	0.85	17#
Body Bottom (10mm)	IS910.1	1850.2	GPRS	/	/	/	/	/	/	/
		1880	GPRS	26.28	26.4	1.028	0.449	0.462	0.47	18#
		1909.8	GPRS	/	/	/	/	/	/	/

Note:

1. When the 1-g SAR is $\leq 0.8W/kg$, testing for other channels are optional.
2. The EUT transmit and receive through the same GSM antenna while testing SAR.
3. When SAR or MPE is not measured at the maximum power level allowed for production units, the results must be scaled to the maximum tune-up tolerance limit according to the power applied to the individual channels tested to determine compliance.
4. When the maximum output power variation across the required test channels is $> \frac{1}{2}$ dB, instead of the middle channel, the highest output power channel must be used.
5. The Multi-slot Classes of EUT is Class 12 which has maximum 4 Downlink slots and 4 Uplink slots, the maximum active slots is 5, when perform the multiple slots scan, 2DL+3UL is the worst case.
6. According to IEC 62209-2:2010 ,If the correction ΔSAR has a positive sign, the measured SAR results shall not be corrected.

CDMA 850(BC0):

EUT Position	Tested Model	Frequency (MHz)	Test Mode	Max. Meas. Power (dBm)	Max. Rated Power (dBm)	1g SAR (W/kg)				
						Scaled Factor	Meas. SAR	Scaled SAR	Corrected SAR	Plot
Body Worn Back (0mm)	IS910.1	824.70	RC3+SO55	/	/	/	/	/	/	/
		836.52	RC3+SO55	21.86	22	1.033	0.340	0.351	0.36	19#
		848.31	RC3+SO55	/	/	/	/	/	/	/
Body Back (0mm)	IS910.1	824.70	RTAP 153.6	21.71	21.8	1.021	0.415	0.424	0.44	20#
		836.52	RTAP 153.6	21.42	21.8	1.091	0.353	0.385	0.39	21#
		848.31	RTAP 153.6	21.52	21.8	1.067	0.388	0.414	0.42	22#
	RG910	824.70	RTAP 153.6	21.68	21.8	1.028	0.402	0.413	0.42	23#
Body Right (0mm)	IS910.1	824.70	RTAP 153.6	/	/	/	/	/	/	/
		836.52	RTAP 153.6	21.42	21.8	1.091	0.169	0.184	0.19	24#
		848.31	RTAP 153.6	/	/	/	/	/	/	/
Body Bottom (0mm)	IS910.1	824.70	RTAP 153.6	/	/	/	/	/	/	/
		836.52	RTAP 153.6	21.42	21.8	1.091	0.307	0.335	0.34	25#
		848.31	RTAP 153.6	/	/	/	/	/	/	/

CDMA 1900(BC1):

EUT Position	Tested Model	Frequency (MHz)	Test Mode	Max. Meas. Power (dBm)	Max. Rated Power (dBm)	1g SAR (W/kg)				
						Scaled Factor	Meas. SAR	Scaled SAR	Corrected SAR	Plot
Body Worn Back (0mm)	IS910.1	1851.25	RC3+SO55	21.34	21.8	1.112	0.767	0.853	0.88	26#
		1880	RC3+SO55	21.65	21.8	1.035	0.815	0.844	0.86	27#
		1908.75	RC3+SO55	21.37	21.8	1.104	0.813	0.898	0.90	28#
Body Back (0mm)	IS910.1	1851.25	RTAP 153.6	21.79	21.9	1.026	0.861	0.883	0.91	29#
		1880	RTAP 153.6	21.64	21.9	1.062	0.895	0.950	0.97	30#
		1908.75	RTAP 153.6	21.56	21.9	1.081	0.797	0.862	0.86	31#
	RG910	1880	RTAP 153.6	21.62	21.9	1.067	0.782	0.834	0.85	32#
Body Right (0mm)	IS910.1	1851.25	RTAP 153.6	/	/	/	/	/	/	/
		1880	RTAP 153.6	21.64	21.9	1.062	0.591	0.628	0.64	33#
		1908.75	RTAP 153.6	/	/	/	/	/	/	/
Body Bottom (0mm)	IS910.1	1851.25	RTAP 153.6	/	/	/	/	/	/	/
		1880	RTAP 153.6	21.64	21.9	1.062	0.322	0.342	0.35	34#
		1908.75	RTAP 153.6	/	/	/	/	/	/	/

Note:

1. When the 1-g SAR is $\leq 0.8W/kg$, testing for other channels are optional.
2. The EUT transmit and receive through the same antenna while testing SAR.
3. When SAR or MPE is not measured at the maximum power level allowed for production units, the results must be scaled to the maximum tune-up tolerance limit according to the power applied to the individual channels tested to determine compliance.
4. According to IEC 62209-2:2010 ,If the correction ΔSAR has a positive sign, the measured SAR results shall not be corrected.

WCDMA Band 2:

EUT Position	Tested Model	Frequency (MHz)	Test Mode	Max. Meas. Power (dBm)	Max. Rated Power (dBm)	1g SAR (W/kg)				
						Scaled Factor	Meas. SAR	Scaled SAR	Corrected SAR	Plot
Body Back (0mm)	IS910.1	1852.4	RMC	22.59	23.1	1.125	0.850	0.956	0.98	35#
		1880	RMC	22.64	23.1	1.112	0.929	1.033	1.05	36#
		1907.6	RMC	22.96	23.1	1.033	1.01	1.043	1.05	37#
	RG910	1907.6	RMC	22.88	23.1	1.052	0.825	0.868	0.87	38#
Body Right (0mm)	IS910.1	1852.4	RMC	22.59	23.1	1.125	0.661	0.744	0.76	39#
		1880	RMC	22.64	23.1	1.112	0.847	0.942	0.96	40#
		1907.6	RMC	22.96	23.1	1.033	0.896	0.926	0.93	41#
Body Bottom (0mm)	IS910.1	1852.4	RMC	/	/	/	/	/	/	/
		1880	RMC	22.64	23.1	1.112	0.481	0.535	0.54	42#
		1907.6	RMC	/	/	/	/	/	/	/

WCDMA Band 5:

EUT Position	Tested Model	Frequency (MHz)	Test Mode	Max. Meas. Power (dBm)	Max. Rated Power (dBm)	1g SAR (W/kg)				
						Scaled Factor	Meas. SAR	Scaled SAR	Corrected SAR	Plot
Body Back (0mm)	IS910.1	826.4	RMC	/	/	/	/	/	/	/
		836.6	RMC	22.52	22.6	1.019	0.181	0.184	0.18	43#
		846.6	RMC	/	/	/	/	/	/	/
Body Right (0mm)	IS910.1	826.4	RMC	/	/	/	/	/	/	/
		836.6	RMC	22.52	22.6	1.019	0.105	0.107	0.11	44#
		846.6	RMC	/	/	/	/	/	/	/
Body Bottom (0mm)	IS910.1	826.4	RMC	22.49	22.6	1.026	0.231	0.237	0.24	45#
		836.6	RMC	22.52	22.6	1.019	0.195	0.199	0.20	46#
		846.6	RMC	22.45	22.6	1.035	0.162	0.168	0.17	47#
	RG910	826.4	RMC	22.43	22.6	1.04	0.217	0.226	0.23	48#

Note:

1. When the 1-g SAR is $\leq 0.8W/kg$, testing for other channels are optional.
2. The EUT transmit and receive through the same antenna while testing SAR.
3. The default test configuration is to measure SAR with an established radio link between the EUT and a communication test set using a 12.2 kbps RMC (reference measurement Channel) Configured in Test Loop Model.
4. KDB 941225 D01-Body SAR is not required for HSDPA/HSUPA/HSPA+ when the maximum average output of each RF channel is less than $\frac{1}{4}$ dB higher than measured 12.2kbps RMC or the maximum SAR for 12.2kbps RMC is $< 75\%$ of SAR limit.
5. When SAR or MPE is not measured at the maximum power level allowed for production units, the results must be scaled to the maximum tune-up tolerance limit according to the power applied to the individual channels tested to determine compliance.
6. According to IEC 62209-2:2010 ,If the correction ΔSAR has a positive sign, the measured SAR results shall not be corrected.

LTE Band 7:

EUT Position	Tested Model	Frequency (MHz)	Bandwidth (MHz)	Test Mode	Max. Meas. Power (dBm)	Max. Rated Power (dBm)	1g SAR (W/kg)				
							Scaled Factor	Meas. SAR	Scaled SAR	Corrected SAR	Plot
Body Back (0mm)	IS910.1	2510	20	1RB	22.15	22.3	1.035	0.358	0.371	0.37	49#
		2535	20	1RB	22.03	22.3	1.064	0.307	0.327	0.33	50#
		2560	20	1RB	22.1	22.3	1.047	0.304	0.318	0.32	51#
		2535	20	50%RB	21.91	22.3	1.094	0.254	0.278	0.28	52#
	RG910	2510	20	1RB	22.08	22.3	1.052	0.268	0.282	0.28	53#
Body Right (0mm)	IS910.1	2510	20	1RB	/	/	/	/	/	/	/
		2535	20	1RB	22.03	22.3	1.064	0.301	0.320	0.32	54#
		2560	20	1RB	/	/	/	/	/	/	/
		2535	20	50%RB	21.91	22.3	1.094	0.233	0.255	0.26	55#
Body Bottom (0mm)	IS910.1	2510	20	1RB	/	/	/	/	/	/	/
		2535	20	1RB	22.03	22.3	1.064	0.200	0.213	0.21	56#
		2560	20	1RB	/	/	/	/	/	/	/
		2535	20	50%RB	21.91	22.3	1.094	0.162	0.177	0.18	57#

LTE Band 41:

EUT Position	Tested Model	Frequency (MHz)	Bandwidth (MHz)	Test Mode	Max. Meas. Power (dBm)	Max. Rated Power (dBm)	1g SAR (W/kg)				
							Scaled Factor	Meas. SAR	Scaled SAR	Corrected SAR	Plot
Body Back (0mm)	IS910.1	2565	20	1RB	21.93	22.2	1.064	0.156	0.166	0.17	58#
		2605	20	1RB	21.96	22.2	1.057	0.238	0.252	0.25	59#
		2645	20	1RB	21.89	22.2	1.074	0.152	0.163	0.16	60#
		2605	20	50%RB	21.75	22.2	1.109	0.133	0.147	0.15	61#
	RG910	2605	20	1RB	21.89	22.2	1.074	0.208	0.223	0.22	62#
Body Right (0mm)	IS910.1	2565	20	1RB	/	/	/	/	/	/	/
		2605	20	1RB	21.96	22.2	1.057	0.085	0.090	0.09	63#
		2645	20	1RB	/	/	/	/	/	/	/
		2605	20	50%RB	21.75	22.2	1.109	0.074	0.082	0.08	64#
Body Bottom (0mm)	IS910.1	2565	20	1RB	/	/	/	/	/	/	/
		2605	20	1RB	21.96	22.2	1.057	0.091	0.096	0.10	65#
		2645	20	1RB	/	/	/	/	/	/	/
		2605	20	50%RB	21.75	22.2	1.109	0.079	0.088	0.09	66#

Note:

1. SAR for LTE band exposure configurations is measured according to the procedures of KDB 941225 D05 SAR for LTE Devices v02.
2. KDB941225D05- Start with the largest channel bandwidth and measure SAR for QPSK with 1 RB allocation, using the RB offset and required test channel combination with the highest maximum output power among RB offset the upper edge, middle and lower edge of each required test channel.
3. When the 1-g SAR is $\leq 0.8W/kg$, testing for other channels are optional.
4. Worst case SAR for 50% RB allocation is selected to be tested.
5. KDB941225D05- For QPSK with 100% RB allocation, SAR is not required when the highest maximum output power for 100 % RB allocation is less than the highest maximum output power in 50% and 1 RB allocations and the highest reported SAR for 1 RB and 50% RB allocation are $\leq 0.8 W/kg$.
6. KDB941225D05-For QPSK with 100% RB allocation, when the reported SAR measured for the Highest output power channel is $<1.45 W/kg$, tests for the remaining required test channels are optional.
7. KDB941225D05- other channel bandwidths SAR test is required when the highest maximum output power of a configuration requiring testing in the smaller channel bandwidth is $> \frac{1}{2}$ dB higher than the equivalent channel configurations in the largest channel bandwidth configuration or the reported SAR of a configuration for the largest channel bandwidth is $> 1.45 W/kg$.
8. KDB941225D05-SAR for higher order modulation is required only when the highest maximum output power for the configuration in the higher order modulation is $> \frac{1}{2}$ dB higher than the same configuration in QPSK or when the reported SAR for the QPSK configuration is $> 1.45 W/kg$
9. According to IEC 62209-2:2010 ,If the correction ΔSAR has a positive sign, the measured SAR results shall not be corrected.

WLAN 2.4G:

EUT Position	Tested Model	Frequency (MHz)	Test Mode	Max. Meas. Power (dBm)	Max. Rated Power (dBm)	1g SAR (W/kg)				
						Scaled Factor	Meas. SAR	Scaled SAR	Corrected SAR	Plot
Body Back (0mm)	IS910.1	2412	802.11b	8.53	9	1.114	0.044	0.049	0.05	67#
		2442	802.11b	8.83	9	1.04	0.079	0.082	0.08	68#
		2462	802.11b	8.67	9	1.079	0.045	0.049	0.05	69#
	RG910	2442	802.11b	8.81	9	1.045	0.063	0.066	0.07	70#
Body Right (0mm)	IS910.1	2412	802.11b	/	/	/	/	/	/	/
		2442	802.11b	8.83	9	1.04	0.056	0.058	0.06	71#
		2462	802.11b	/	/	/	/	/	/	/

Note:

1. When the SAR value is less than half of the limit, testing for other channels are optional.
2. When SAR or MPE is not measured at the maximum power level allowed for production units, the results must be scaled to the maximum tune-up tolerance limit according to the power applied to the individual channels tested to determine compliance.
3. KDB 248227 D01-SAR measurement is not required for 2.4 GHz OFDM(801.11g/n20) when the highest reported SAR for DSSS(802.11b) is ≤ 1.2 W/kg, and the output power for DSSS is not less than that for OFDM.
4. According to IEC 62209-2:2010 ,If the correction Δ SAR has a positive sign, the measured SAR results shall not be corrected.

Bluetooth:

EUT Position	Tested Model	Frequency (MHz)	Test Mode	Max. Meas. Power (dBm)	Max. Rated Power (dBm)	1g SAR (W/kg)				
						Scaled Factor	Meas. SAR	Scaled SAR	Corrected SAR	Plot
Body Back (0mm)	IS910.1	2402	GFSK	5.17	7	1.524	0.028	0.043	0.04	72#
		2431	GFSK	6.69	7	1.074	0.037	0.04	0.04	73#
		2441	GFSK	5.45	7	1.429	0.03	0.043	0.04	74#
		2480	GFSK	1.41	2	1.146	<0.01	0.01	0.01	/
	RG910	2431	GFSK	6.62	7	1.091	0.024	0.026	0.03	75#
Body Right (0mm)	IS910.1	2402	GFSK	/	/	/	/	/	/	/
		2431	GFSK	6.69	7	1.074	0.024	0.026	0.03	76#
		2441	GFSK	/	/	/	/	/	/	/
		2480	GFSK	/	/	/	/	/	/	/

Note:

1. When the 1-g SAR is ≤ 0.8 W/kg, testing for other channels are optional.
2. When SAR or MPE is not measured at the maximum power level allowed for production units, the results must be scaled to the maximum tune-up tolerance limit according to the power applied to the individual channels tested to determine compliance.
3. For modes that peak SAR is too low to evaluate, a SAR value 0.01W/kg is considered as their Scaled SAR.
4. According to IEC 62209-2:2010 ,If the correction Δ SAR has a positive sign, the measured SAR results shall not be corrected.

Corrected SAR Evaluation

62209-2 © IEC:2010

– 89 –

Annex F (normative)

SAR correction for deviations of complex permittivity from targets

F.2 SAR correction formula

From [13] and [14], a linear relationship was found between the percent change in SAR (denoted ΔSAR) and the percent change in the permittivity and conductivity from the target values in Table 1 (denoted $\Delta \epsilon_r$ and $\Delta \sigma$, respectively). This linear relationship agrees with the results of Kuster and Balzano [48] and Bit-Babik et al. [2]. The relationship is given by:

$$\Delta SAR = c_\epsilon \Delta \epsilon_r + c_\sigma \Delta \sigma \quad (F.1)$$

where

$c_\epsilon = \partial(\Delta SAR)/\partial(\Delta \epsilon)$ is the coefficients representing the sensitivity of SAR to permittivity where SAR is normalized to output power;

$c_\sigma = \partial(\Delta SAR)/\partial(\Delta \sigma)$ is the coefficients representing the sensitivity of SAR to conductivity, where SAR is normalized to output power.

The values of c_ϵ and c_σ have a simple relationship with frequency that can be described using polynomial equations. For the 1 g averaged SAR c_ϵ and c_σ are given by

$$c_\epsilon = -7,854 \times 10^{-4} f^3 + 9,402 \times 10^{-3} f^2 - 2,742 \times 10^{-2} f - 0,202 \ 6 \quad (F.2)$$

$$c_\sigma = 9,804 \times 10^{-3} f^3 - 8,661 \times 10^{-2} f^2 + 2,981 \times 10^{-2} f + 0,782 \ 9 \quad (F.3)$$

where

f is the frequency in GHz.

For the 10 g averaged SAR, the variables c_ϵ and c_σ are given by:

$$c_\epsilon = 3,456 \times 10^{-3} f^3 - 3,531 \times 10^{-2} f^2 + 7,675 \times 10^{-2} f - 0,186 \ 0 \quad (F.4)$$

$$c_\sigma = 4,479 \times 10^{-3} f^3 - 1,586 \times 10^{-2} f^2 - 0,197 \ 2 f + 0,771 \ 7 \quad (F.5)$$

Corrected SAR Evaluation Table

Frequency (MHz)	Liquid Type	$C \epsilon$	$\Delta \epsilon r$	$C \delta$	$\Delta \delta$	ΔSAR (%)
750	1g Body	-0.218	2.87	0.761	-2.92	-2.85
824.2	1g Body	-0.219	3.7	0.754	-2.68	-2.83
824.7	1g Body	-0.219	3.94	0.754	-2.37	-2.65
826.4	1g Body	-0.219	3.89	0.754	-1.75	-2.17
836.52	1g Body	-0.219	3.57	0.753	-0.93	-1.48
836.6	1g Body	-0.219	3.25	0.753	-0.93	-1.41
846.6	1g Body	-0.220	3.11	0.752	-1.73	-1.98
848.31	1g Body	-0.220	3.06	0.752	-2.32	-2.42
848.8	1g Body	-0.220	3.04	0.752	-1.72	-1.96

Frequency (MHz)	Liquid Type	$C \epsilon$	$\Delta \epsilon r$	$C \delta$	$\Delta \delta$	ΔSAR (%)
1850.2	1g Body	-0.226	2.44	0.604	-4.34	-3.17
1851.25	1g Body	-0.226	2.42	0.603	-3.88	-2.89
1852.4	1g Body	-0.226	2.41	0.603	-3.42	-2.61
1880	1g Body	-0.226	1.7	0.598	-2.11	-1.65
1900	1g Body	-0.226	1.64	0.594	-0.33	-0.57
1907.6	1g Body	-0.226	1.57	0.593	-0.26	-0.51
1908.75	1g Body	-0.226	1.52	0.592	0.07	-0.30
1909.8	1g Body	-0.226	1.5	0.592	0.72	0.09

Frequency (MHz)	Liquid Type	$C \epsilon$	$\Delta \epsilon r$	$C \delta$	$\Delta \delta$	ΔSAR (%)
2402	1g Body	-0.225	3.15	0.491	-1.79	-1.59
2412	1g Body	-0.225	3.11	0.489	-0.26	-0.83
2431	1g Body	-0.225	2.93	0.484	-0.62	-0.96
2441	1g Body	-0.225	2.8	0.482	-0.46	-0.85
2442	1g Body	-0.225	2.8	0.482	-0.36	-0.80
2450	1g Body	-0.225	2.33	0.480	0.1	-0.48
2462	1g Body	-0.225	2.14	0.478	0.05	-0.46
2480	1g Body	-0.225	2.16	0.474	-0.4	-0.67
2510	1g Body	-0.225	2.01	0.467	-2.21	-1.48
2535	1g Body	-0.224	1.78	0.462	-0.58	-0.67

Frequency (MHz)	Liquid Type	$C \epsilon$	$\Delta \epsilon r$	$C \delta$	$\Delta \delta$	ΔSAR (%)
2560	1g Body	-0.224	1.86	0.456	0.57	-0.16
2565	1g Body	-0.224	1.56	0.455	1.23	0.21
2605	1g Body	-0.224	1.62	0.446	-1.15	-0.88
2600	1g Body	-0.224	1.6	0.447	-0.42	-0.55
2645	1g Body	-0.224	1.67	0.437	-2.91	-1.65

$$\Delta\text{SAR} = c_{\epsilon} \Delta\epsilon_r + c_{\sigma} \Delta\sigma$$

$$c_{\epsilon} = -7,854 \times 10^{-4} f^3 + 9,402 \times 10^{-3} f^2 - 2,742 \times 10^{-2} f - 0,2026 \quad (\text{F.2})$$

$$c_{\sigma} = 9,804 \times 10^{-3} f^3 - 8,661 \times 10^{-2} f^2 + 2,981 \times 10^{-2} f + 0,7829 \quad (\text{F.3})$$

where

f is the frequency in GHz.

$$\text{Corrected SAR} = \text{Measured SAR} * ((100 + (\Delta\text{SAR} \times -1)) / 100)$$

SAR Measurement Variability

In accordance with published RF Exposure KDB procedure 865664 D01 SAR measurement 100 MHz to 6 GHz v01. These additional measurements are repeated after the completion of all measurements requiring the same head or body tissue-equivalent medium in a frequency band. The test device should be returned to ambient conditions (normal room temperature) with the battery fully charged before it is re-mounted on the device holder for the repeated measurement(s) to minimize any unexpected variations in the repeated results

- 1) Repeated measurement is not required when the original highest measured SAR is < 0.80 W/kg; steps 2) through 4) do not apply.
- 2) When the original highest measured SAR is ≥ 0.80 W/kg, repeat that measurement once.
- 3) Perform a second repeated measurement only if the ratio of largest to smallest SAR for the original and first repeated measurements is > 1.20 or when the original or repeated measurement is ≥ 1.45 W/kg (~ 10% from the 1-g SAR limit).
- 4) Perform a third repeated measurement only if the original, first or second repeated measurement is ≥ 1.5 W/kg and the ratio of largest to smallest SAR for the original, first and second repeated measurements is > 1.20.

Note: The same procedures should be adapted for measurements according to extremity and occupational exposure limits by applying a factor of 2.5 for extremity exposure and a factor of 5 for occupational exposure to the corresponding SAR thresholds.

The Highest Measured SAR Configuration in Each Frequency Band

Body

Tested Model	SAR probe calibration point	Frequency Band	Freq.(MHz)	EUT Position	Meas. SAR (W/kg)		Largest to Smallest SAR Ratio
					Original	Repeated	
IS910.1	1900MHz (1850-2000 MHz)	GSM 1900	1880	Body Back	1.07	1.04	1.03

Note:

1. Second Repeated Measurement is not required since the ratio of the largest to smallest SAR for the original and first repeated measurement is not > 1.20.
2. The measured SAR results **do not** have to be scaled to the maximum tune-up tolerance to determine if repeated measurements are required.
3. SAR measurement variability must be assessed for each frequency band, which is determined by the **SAR probe calibration point and tissue-equivalent medium** used for the device measurements..

SAR SIMULTANEOUS TRANSMISSION DESCRIPTION

Simultaneous Transmission:

Description of Simultaneous Transmit Capabilities		
Transmitter Combination	Simultaneous?	Hotspot?
WWAN(GSM/CDMA/WCDMA/LTE) + Bluetooth	√	×
WWAN(GSM/CDMA/WCDMA/LTE) + Bluetooth	√	√

Simultaneous and Hotspot SAR test exclusion considerations:

Mode(SAR1+SAR2)	Position	Reported SAR(W/kg)		ΣSAR < 1.6W/kg
		SAR1	SAR2	
GSM 850 +Bluetooth	Body Worn Back	0.14	0.04	0.18
	Body Back	0.20	0.04	0.24
PCS1900 +Bluetooth	Body Worn Back	0.95	0.04	0.99
	Body Back	1.12	0.04	1.16
CDMA 850 +Bluetooth	Body Worn Back	0.36	0.04	0.40
	Body Back	0.44	0.04	0.48
CDMA 1900 +Bluetooth	Body Worn Back	0.90	0.04	0.94
	Body Back	0.97	0.04	1.01
WCDMA Band 2+Bluetooth	Body Back	1.05	0.04	1.09
WCDMA Band 5+Bluetooth	Body Back	0.18	0.04	0.22
LTE Band 7+Bluetooth	Body Back	0.37	0.04	0.41
LTE Band 41+Bluetooth	Body Back	0.25	0.04	0.29

Mode(SAR1+SAR2)	Position	Reported SAR(W/kg)		ΣSAR < 1.6W/kg
		SAR1	SAR2	
GSM 850+ WLAN	Body Worn Back	0.14	0.08	0.22
	Body Back	0.20	0.08	0.28
	Body Right	0.07	0.06	0.13
	Body Bottom	0.18	N/A	N/A
PCS1900 + WLAN	Body Worn Back	0.95	0.08	1.03
	Body Back	1.12	0.08	1.20
	Body Right	0.90	0.06	0.96
	Body Bottom	0.47	N/A	N/A
CDMA 850+ WLAN	Body Worn Back	0.36	0.08	0.44
	Body Back	0.44	0.08	0.52
	Body Right	0.19	0.06	0.25
	Body Bottom	0.34	N/A	N/A
CDMA 1900 + WLAN	Body Worn Back	0.90	0.08	0.98
	Body Back	0.97	0.08	1.05
	Body Right	0.64	0.06	0.70
	Body Bottom	0.35	N/A	N/A
WCDMA Band 2+ WLAN	Body Back	1.05	0.08	1.13
	Body Right	0.96	0.06	1.02
	Body Bottom	0.54	N/A	N/A
WCDMA Band 5+ WLAN	Body Back	0.18	0.08	0.26
	Body Right	0.11	N/A	N/A
	Body Bottom	0.24	0.06	0.30
LTE Band 7+ WLAN	Body Back	0.37	0.08	0.45
	Body Right	0.32	0.06	0.38
	Body Bottom	0.21	N/A	N/A
LTE Band 41+ WLAN	Body Back	0.25	0.08	0.33
	Body Right	0.09	0.06	0.15
	Body Bottom	0.10	N/A	N/A

Note:

1. Hotspot mode SAR is measured for all edges and surfaces of the device with a transmitting antenna located within 25 mm from that surface or edge; for the data modes, wireless technologies and frequency bands supporting hotspot mode.
2. Hotspot Mode is not feasible during voice calls.

Conclusion:

Sum of SAR: ΣSAR ≤ 1.6 W/kg therefore simultaneous transmission SAR with Volume Scans is **not required**.

SAR Plots

Please Refer to the Attachment.

APPENDIX A MEASUREMENT UNCERTAINTY

The uncertainty budget has been determined for the measurement system and is given in the following Table.

Measurement uncertainty evaluation for IEEE1528-2013 SAR test

Source of uncertainty	Tolerance/uncertainty ± %	Probability distribution	Divisor	ci (1 g)	ci (10 g)	Standard uncertainty ± %, (1 g)	Standard uncertainty ± %, (10 g)
Measurement system							
Probe calibration	6.55	N	1	1	1	6.6	6.6
Axial Isotropy	4.7	R	√3	1	1	2.7	2.7
Hemispherical Isotropy	9.6	R	√3	0	0	0.0	0.0
Boundary effect	1.0	R	√3	1	1	0.6	0.6
Linearity	4.7	R	√3	1	1	2.7	2.7
Detection limits	1.0	R	√3	1	1	0.6	0.6
Readout electronics	0.3	N	1	1	1	0.3	0.3
Response time	0.0	R	√3	1	1	0.0	0.0
Integration time	0.0	R	√3	1	1	0.0	0.0
RF ambient conditions – noise	1.0	R	√3	1	1	0.6	0.6
RF ambient conditions–reflections	1.0	R	√3	1	1	0.6	0.6
Probe positioner mech. Restrictions	0.8	R	√3	1	1	0.5	0.5
Probe positioning with respect to phantom shell	6.7	R	√3	1	1	3.9	3.9
Post-processing	2.0	R	√3	1	1	1.2	1.2
Test sample related							
Test sample positioning	2.8	N	1	1	1	2.8	2.8
Device holder uncertainty	6.3	N	1	1	1	6.3	6.3
Drift of output power	5.0	R	√3	1	1	2.9	2.9
Phantom and set-up							
Phantom uncertainty (shape and thickness tolerances)	4.0	R	√3	1	1	2.3	2.3
Liquid conductivity target)	5.0	R	√3	0.64	0.43	1.8	1.2
Liquid conductivity meas.)	2.5	N	1	0.64	0.43	1.6	1.1
Liquid permittivity target)	5.0	R	√3	0.6	0.49	1.7	1.4
Liquid permittivity meas.)	2.5	N	1	0.6	0.49	1.5	1.2
Combined standard uncertainty		RSS				12.2	12.0
Expanded uncertainty 95 % confidence interval)						24.3	23.9

Measurement uncertainty evaluation for IEC62209-2 SAR test

Source of uncertainty	Tolerance/uncertainty ± %	Probability distribution	Divisor	ci (1 g)	ci (10 g)	Standard uncertainty ± %, (1 g)	Standard uncertainty ± %, (10 g)
Measurement system							
Probe calibration	6.55	N	1	1	1	6.6	6.6
Axial Isotropy	4.7	R	√3	1	1	2.7	2.7
Hemispherical Isotropy	9.6	R	√3	0	0	0.0	0.0
Linearity	4.7	R	√3	1	1	2.7	2.7
Modulation Response	0.0	R	√3	1	1	0.0	0.0
Detection limits	1.0	R	√3	1	1	0.6	0.6
Boundary effect	1.0	R	√3	1	1	0.6	0.6
Readout electronics	0.3	N	1	1	1	0.3	0.3
Response time	0.0	R	√3	1	1	0.0	0.0
Integration time	0.0	R	√3	1	1	0.0	0.0
RF ambient conditions – noise	1.0	R	√3	1	1	0.6	0.6
RF ambient conditions–reflections	1.0	R	√3	1	1	0.6	0.6
Probe positioner mech. Restrictions	0.8	R	√3	1	1	0.5	0.5
Probe positioning with respect to phantom shell	6.7	R	√3	1	1	3.9	3.9
Post-processing	2.0	R	√3	1	1	1.2	1.2
Test sample related							
Device holder Uncertainty	6.3	N	1	1	1	6.3	6.3
Test sample positioning	2.8	N	1	1	1	2.8	2.8
Power scaling	4.5	R	√3	1	1	2.6	2.6
Drift of output power	5.0	R	√3	1	1	2.9	2.9
Phantom and set-up							
Phantom uncertainty (shape and thickness tolerances)	4.0	R	√3	1	1	2.3	2.3
Algorithm for correcting SAR for deviations in permittivity and conductivity	1.9	N	1	1	0.84	1.1	0.9
Liquid conductivity (meas.)	2.5	N	1	0.64	0.43	1.6	1.1
Liquid permittivity (meas.)	2.5	N	1	0.6	0.49	1.5	1.2
Temp. unc. - Conductivity	1.7	R	√3	0.78	0.71	0.8	0.7
Temp. unc. - Permittivity	0.3	R	√3	0.23	0.26	0.0	0.0
Combined standard uncertainty		RSS				12.2	12.1
Expanded uncertainty 95 % confidence interval)						24.5	24.2

APPENDIX B EUT TEST POSITION PHOTOS

Please Refer to the Attachment.

APPENDIX C CALIBRATION CERTIFICATES

Please Refer to the Attachment.

******* END OF REPORT *******