



Vega series

Smart Home Dashboard

User manual

Copyright information

Copyright © 2018 Glory Star Group Limited. All rights reserved.

All intellectual property rights in this publication are owned by Glory Star Group Limited and protected by applicable copyright laws and international treaty provisions. Glory Star Group Limited retains all rights not expressly granted. No part of this publication may be reproduced in any form whatsoever or used to make any derivative work without prior written approval by Glory Star Group Limited.

Glory Star Group Limited reserves the right to revise this publication, and/or make improvements or changes in the product(s) and/or the program(s) described in this documentation at any time without prior notice. The information in this document is provided in good faith, but without any representation or warranty whatsoever, whether it is accurate, or complete or otherwise, and on express understanding that Glory Star Group Limited shall have no liability whatsoever to other parties in any way arising from or relating to the information or its use.

All other trademarks are the property of their respective owners. Other company and brand products and service names are trademarks or registered trademarks of their respective holders.

This device complies with CE and FCC regulations.



Safety and warning information

Read this user manual

All safety and operating instructions in this user manual should be read before operating the product

Keep this user manual

This user manual should be retained for future references.

Head Warnings

Be cautious about warning signals on the product.

Follow Instructions

Please follow instructions in this user manual

Attachments

To avoid danger, please do not use attachments not recommended by the product manufacturer.

Mounting

Do not place the product on any unstable cart, stand, tripod or table to avoid injury on children and adult. Please only use attachments indicated by product manufacturer.

Temperature

Please use this product within operating temperature 32°F ~ 100°F (0°C ~ 45°C), relative humidity 20%-80%. The product should be situated away from any heat source such as radiators, heat registers, stoves or other products (including amplifier) to product heat.

Avoid Liquid Invasion

Avoid the invasion of any liquid. Avoid placing it near bathtub, sink, kitchen, wet basement or swimming pool. Do not place product on any uneven surfaces and keep a distance of at least 6 inches from wall.

Avoid over heat

Do not place heavy objects on top of the unit and at sealed areas to avoid heat ventilation problems.

Product Protection

Please do not place any attachment or parts inside the product to avoid contacts with voltage points that could result an electric shock or fire.

Heat Ventilation

There is no heat ventilation on the upper and lower part of the product, therefore to avoid overheating, please do not block any ventilation openings with objects (e.g. carpet). Please allow the opening to have 10cm distance for ventilation.

Grounding or Polarization

This product could be equipped with an alternate plug.

Power – Cord Protection

Power supply cords should be routed so that they are unlikely to be walked on or pitched by items placed upon them. Pay attention to the connection of plugs.

Power Sources

This product should be operated only from the type pf power source indicated on the rear panel. If you are unsure of the type of power supply to your home, consult your product purchaser or local power company.

Lighting and storms

Unplug the outlet during lighting, storms or long unused periods. This will prevent damages and power-line surges to the product.

Overloading

Do not overload wall outlets, extension cords or integral convenience receptacles as this can result in a risk of fire or electric shock.

Damage Handling

Unplug this product from the outlet of wall and request qualified service personnel under the following conditions:

- when the power supply cord or plug is damaged
- when the picture display gets dimmer
- when liquid has been spilled or objects have fallen on to the product
- when the product has been exposed to rain or water.
- Adjust only those controls that are in the instruction manual. For improper adjustments may result in damage and will often require extensive work by a qualified technician to restore the product to its normal operation.
- When the product exhibits a distinct change in performance-this indicates a need for repair service.

Replacement parts

When replacement parts are required, be sure that the technician uses replacement parts specified by the manufacturer or parts with same features. Unauthorized substitution may result in fire, electric shock or other hazards.

Safety Check

Upon completion of any service or repair to this product, ensure technician for proper operating condition performs safety checks.

Warnings

If the battery of remote control is incorrectly replaced, there will be a danger of explosion.

Storage

Keep the product at dim areas, room temperature and low humidity to maintain original condition. This will avoid danger.

Transportation

Since the product consists of glass and delicate electronic components, excessive shock or drop will result damages. Please handle the product carefully to minimize shock during transportation.

Recycling

The product utilizes tin-lead solder, and has a fluorescent lamp containing a small amount of mercury. For environmental considerations, disposal of these materials may be regulated in your community. For disposal or recycling information, please contact your local authorities, or Electronics Industries Alliance:
<http://www.eiae.org/>

Cleaning

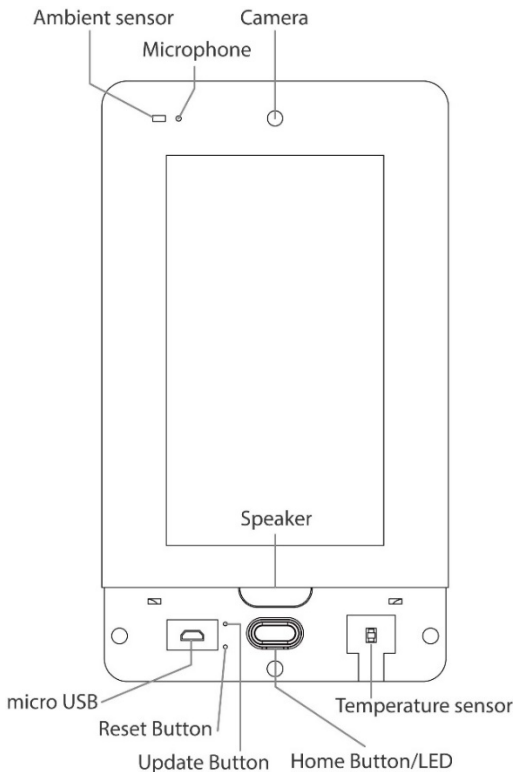
Unplug the product from the wall outlet before cleaning. Do not use liquid cleaners or aerosol cleaners. Use damp cloth for cleaning.

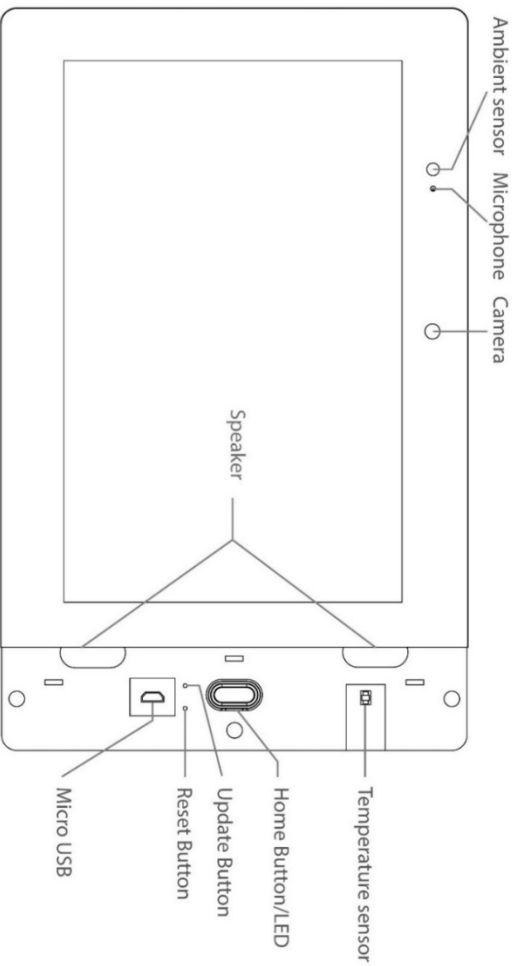
What's in the box?

- Vega unit
- Adapter
- Power cable
- magnet and screw

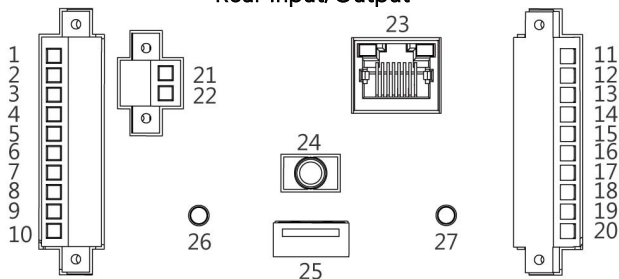
Product over view

Vega offers different interfaces as well on the rear as on the front side. All interfaces are integrated and functional on Android level and can be accessed from custom applications through corresponding libraries.



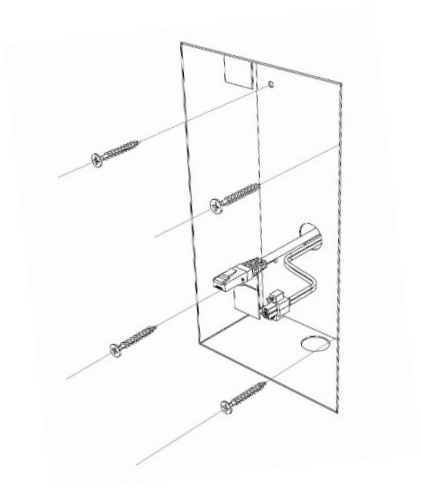


Rear Input/Output



1	NC	15	GPIO-104
2	NC	16	GPIO-GND
3	RS232-GND	17	NC
4	RS232-TXD	18	GND
5	RS232-RXD	19	RS485-B
6	NC	20	RS485-A
7	NC	21	DC in 12V
8	NC	22	DC in GND
9	KNX-	23	RJ45/POE
10	KNX+	24	Line out
11	5V: Power output 5V, Max300ma	25	USB port
12	GPIO-101	26	Function button A (Is used by open setting)
13	GPIO-102	27	Function button B (Is used by open setting)
14	GPIO-103		

Installation & Quick start

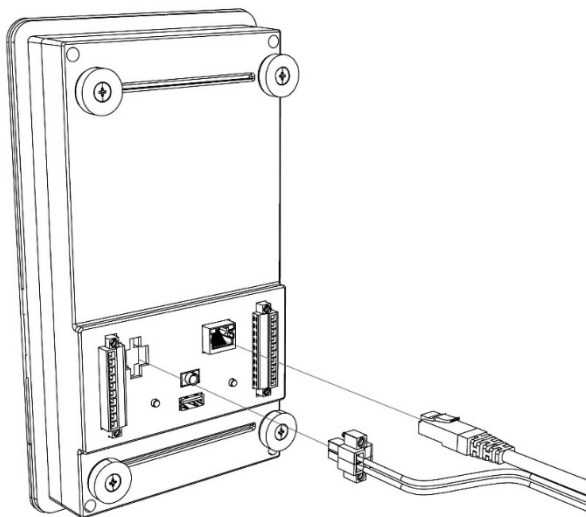


Gang box installation

Cut an area of Vega location on the wall
Use screw or glue to hold on the Gang box

VEG073 Portrait: 128(W) *227(L) MM

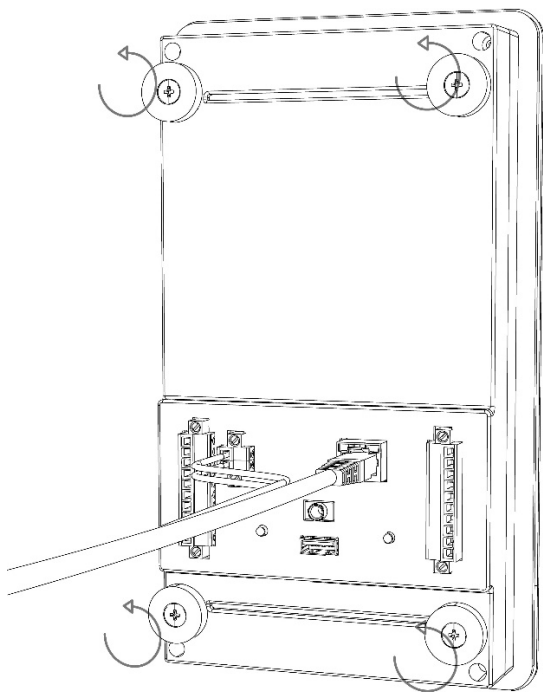
VEG101 Landscape: 288(W)*179(L) MM



Connect cable

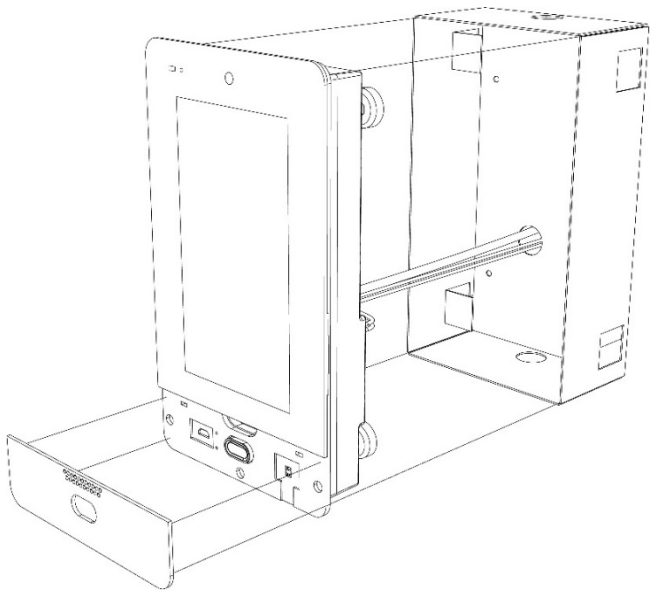
Connect the DC cable and Lan cable from the wall to VEGA I/O port.

Note: POE is also connect to to the same port.



Magnet

Adjust the magnet to fit to the Gang box.



Install Vega

Place the Vega into the Gang box and the front cover into the Vega.

Connect to Wi-Fi

Go to the Android setting and select Wi-Fi

Select the network or source you wish to connect to from the list

Once the Gang box installation of the wall has been completed, the RS232/ RS485 / GPIO/ KNX wire and power cable is connected, the device will power on. If the screen is not display anything, check the power support was connected well.

license and regulation

This equipment has been tested and found to comply with the limits for a Class B digital device, pursuant to part 15 of the FCC Rules. These limits are designed to provide reasonable protection against harmful interference in a residential installation. This equipment generates, uses and can radiate radio frequency energy and, if not installed and used in accordance with the instructions, may cause harmful interference to radio communications. However, there is no guarantee that the interference will not occur in a particular installation. If this equipment does cause harmful interference to radio or television reception, which can be determined by turning the equipment off and on, the user is encouraged to try to correct the interference by one or more of the following measures:

1. Reorient or relocate the receiving antenna.
 2. Increase the separation between the equipment and receiver.
 3. Connect the equipment into an outlet on a circuit different from that to which the receiver is connected.
 4. Consult the dealer or an experienced radio/TV technician for help.
- This device complies with part 15 of FCC rules. Operation is subject to two conditions.
1. This device may not cause harmful interference.
 2. This device must accept any interference received, including interference that may cause undesired operation.

Change or modifications that are not expressly approved by the manufacturer could void the user's authority to operate the equipment.

FCC Radiation Exposure Statement

The antennas used for this transmitter must be installed to provide a separation distance of at least 20 cm from all persons and must not be co-located for operating in conjunction with any other antenna or transmitter.

Please contact our customer service if you face any problems on operating the device.

E-mail: support@glorystargroup.com
www.glorystargroup.com