

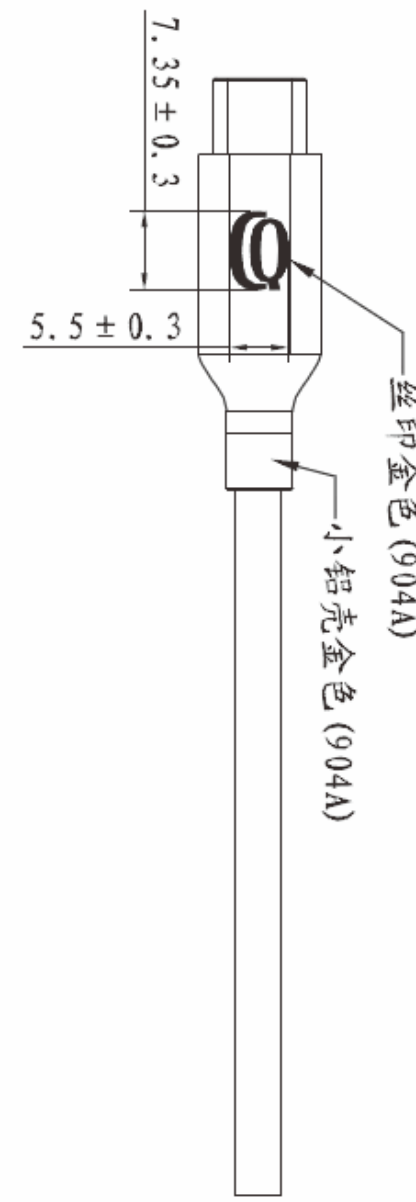
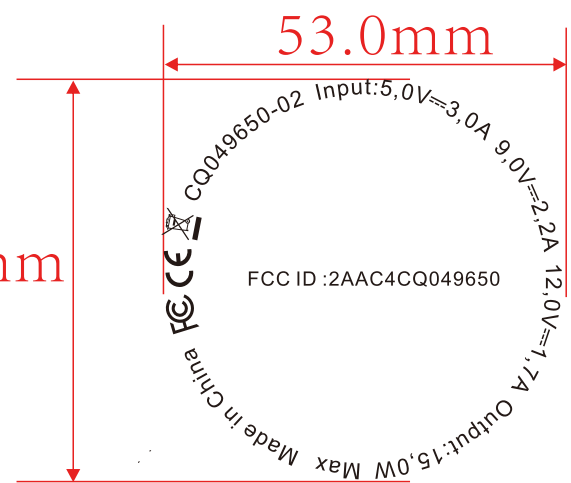
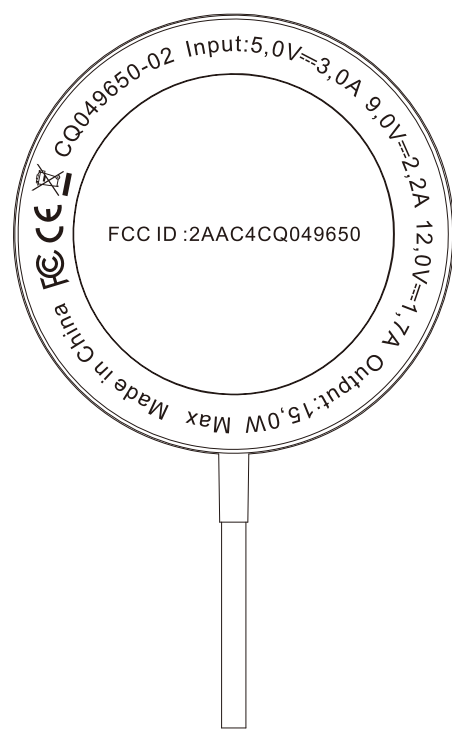
1 2 3 4 5 6 7 8

A  
B  
C  
D  
E  
F



TAKE CHARGE

2.60mm TAKE CHARGE  
25.0mm



技术要求:

1. 素材颜色为: 白色
2. 工艺丝印, 丝印颜色为金色 (904A)
3. 丝印清晰, 无重影
4. 符合ROHS
5. 3M胶测试: 用3M胶贴在丝印内容上, 反复贴拉10次要求图案内容仍完整且清晰可认。

鹏元晟高科技股份有限公司  
PYS High-Tech Co., Ltd

Approved By \_\_\_\_\_ Date \_\_\_\_\_  
Checked By \_\_\_\_\_ Date \_\_\_\_\_  
Designed By 康志勇 Date \_\_\_\_\_

Dimensions	0<X≤6	6<X≤30	30<X≤80	80<X≤180	180<X≤320	320<X≤600	>600
Tolerances unless otherwise mentioned	A ± 0.05	± 0.1	± 0.15	± 0.2	± 0.25	± 0.35	± 0.5
	B ± 0.1	± 0.15	± 0.2	± 0.25	± 0.4	± 0.5	± 0.65
	C ± 0.2	± 0.3	± 0.4	± 0.6	± 0.8	± 1	± 2
	D ± 0.5	± 1	± 1.5	± 2.2	± 3.5	± 5	± 6.5
	Holes: ± 0.1		Angles: ± 0.5				
Size	A3	Unit	mm	Scale	Free		

Description: C35-000015 丝印图  
Document No. \_\_\_\_\_ Rev. \_\_\_\_\_  
Third Angle Projection  
文件编号: QR-EG-075 版本号: E/0

Rev.	Ord.	Revised History	Designed By/Date	Checked By	Approved By

1 2 3 4 5 6 7 8