

新葉科技（東莞）有限公司  
SINYOTechnology(Dongguan)co., Ltd.

TEL: 0769-86551123 FAX:

样品规格承认书

SAMPLE SPECIFICATION FOR APPROVAL

客户名称/Customer	PYS High-Tech Co., LTD
品名/Part Name	Coil
新叶料号/Liyin Part	20.5*41.5*0.08*45PX11TS
客户料号/Customer Part No.	ECM_QIA11X1AAA_V2.0
版本/Rev.	01
制定日期/Date	2022.6.1

客户承认签章/  
Customer Approved And Signature

本厂确认/SINYO Approved

bingxiangxie

1.送样的原因/Sample Submission Reason

1.新规格/New SPEC  2.New Material/追加材料。  3.ECR/变更。

2.变更的规格说明/Request For New SPEC.

原规格/Current	希望变更规格/Request	变更理由/Reason

备注/Remark:

1.我们的样品必须符合ISO程序,确认后请务必签章回传!

Important When Sample Approved, Please Sign And Returned By Fax, Before Place Order In order To Fulfill Our ISO Requirement!

2.本产品符合新葉环境关联物质的管理规定要求.

Above product comply to SINYO Environmental material system requirement.

3.如未回传, 则以贵司下订单为样品通过!

In Event Of No Sign Back, We Will Under Take P.O. As Acceptance To Sample Approval!

# CONTENTS/目录

---

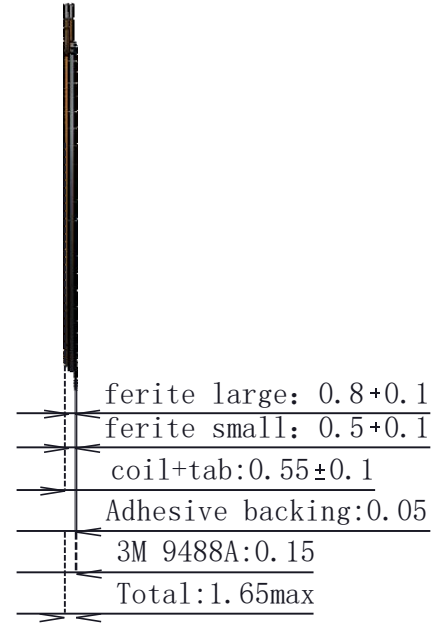
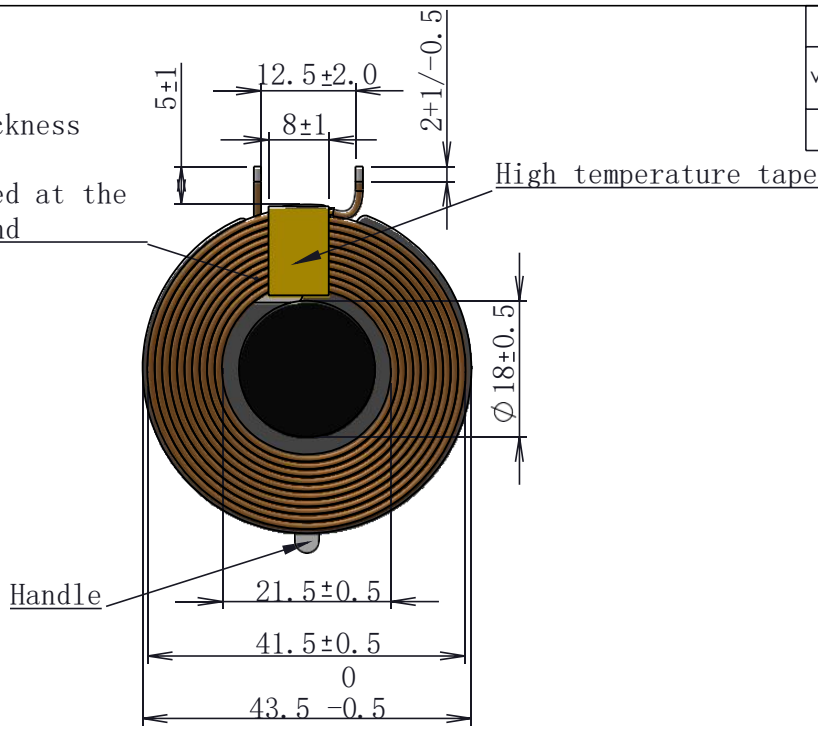
页 数

<b>1.Product Specification/产品规格</b>	第 1 页
<b>2.Contents/目录</b>	第 2 页
<b>3.Version Change History /版本變更履</b>	第 3 页
<b>4.Drawing/图面</b>	第 4 页
<b>5.Electrical Characteristic/电气特性</b>	第 5 页
<b>6.Material List/材料清单</b>	第 6 页
<b>7.Manner of packing/包装方式</b>	第 7 页
<b>8.Reliability Test /信赖性报告</b>	第 8 页

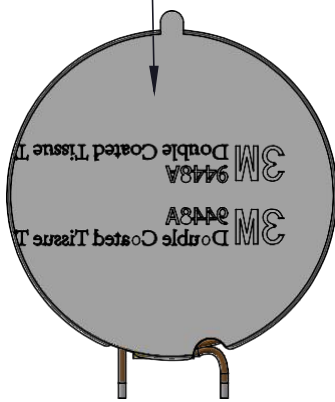


revise				
version	Update records	tagging	Modification time	Audit
A.01	first edition			

The thickness is not measured at the back bend



This side is fully glued 3M9448A




Ferrite technical requirements:

1. Use manganese zinc BP40
2. The parts are smooth and clean, and no convex dents shall appear
3. Products must be environmentally friendly

Coil technical requirements:

1. Wire specification: 0.08mm\*45P enameled copper wire
2. Coil specifications: COIL, ID21.5\*21.5\*0.08\*45P\*1P\*x10TS\*0.55(max)
3. Cable length 5±1mm; Lead immersion length 2+1/-0.5mm.
4. Neat winding, do not damage the surface enamel layer; Appearance requirements: Class 2.
5. Unnoted size according to the drawing file.
6. Unmarked tolerance: wire 0.2mm, R angle 0.5mm.
7. The product meets the requirements of halogen-free and meets the salt spray test 48H.
8. Do not replace materials and surface treatment without permission.
9. The symbol ball on the drawing is the key control dimensioning  
Size 10.7 CPK>0.7  
Finished electrical specifications: (@1V 100KHZ)  
Finished product (coil + ferrite) LS: 7.0uH±5%  
DCR:100m Ω (max)  
Q : > TBD

 <b>新葉科技 (東莞) 有限公司</b> Sinyo Technology (Dongguan) Co., Ltd	Figure name	TX COIL	quantity	
	Figure number	EIM_QIA11X11AAA_V2.0	proportion	1:1
General tolerances	±0.02mm ±0.5°	Projected viewing angle	unit	mm
1. Unmarked edge chamfer C0.5; 2. The following table without tolerances shall prevail 3. Key inch method*			date	2022/10/18
	devise	bing xiang xie	proofread	Audit wei wei



新葉科技（東莞）有限公司  
SINYOTechnology(Dongguan)co., Ltd.

## 電氣特性 ELECTRICAL CHARACTERISTIC

客户/CUSTOMER	品名/Part Name	新葉料号/SINYO PART NO. 客户料号/CUSTOMER PART NO.
PYS High-Tech Co., LTD	Coil	21.5*42*0.08*45PX10TS ECM_QIA11X1AAA_V2.0

<b>一.电气规格ELECTRICAL SPECIFICATION</b>		
1. Inductance电感: 规格7.0±5% uh	TEST CONDITION 测试条件100KHZ/1.0V	仪器型号/instrument NO.: 综合测试仪
2. Rdc Resistance直流电阻: 100mΩ MAX	25℃	仪器型号/instrument NO.: 综合测试仪
3. Q:>TBD	TEST CONDITION 测试条件100KHZ/1.0V	仪器型号/instrument NO.: 综合测试仪

### SINYO 样品测试记录表Sample test list

<b>ELECTRICAL TEST DATA(电气测试数据):</b>		
Part Name品名: COIL		测试日期/Test Data: <u>2022.6.1</u>
Part NO./品号: 21.5*42*0.08*45PX10TS	线材规格品号/Part NO. of wire specification: 2UEW-HB0.08*45P	检测人 /Checker:Ares xie
CUST. PART No:		

<b>一.电气特性 ELECTRICAL CHARACTERISTIC</b>						
	SAMPLE(样品)					判定结果Judge
	NO.1					
1. 电感/Inductance (7.0 ±5% μH)	6.83	6.88	6.88	6.86	6.95	OK
2. 直流电阻/DC Resistance(100mΩ MAX)	83.46	83.70	83.56	83.57	83.78	OK
3. Q:>TBD	51.15	52.24	51.17	52.15	52.31	OK

<b>二.尺寸SIZE</b>									
测试项目 TEST ITEM	参数 /Parameter	条件 Conditions	SAMPLE(样品)					使用仪器Equipment	判定结果Judge
			NO.1	NO.2	NO.3	NO.4	NO.5		
高度 /Thickness	1.65mm MAX	—	1.57	1.59	1.56	1.56	1.57	卡尺 Callipers	OK
引线长度/ Lead wire length	S=F=5±1.0mm	—	5.06	4.80	4.58	4.57	4.65	二次元/2.5D	OK
焊锡长度 /Solder length	2+1-0.5mm	—	1.75	1.58	1.68	1.87	1.84	二次元/2.5D	OK
外径 /O. D.	41.5±0.5mm	—	41.13	41.22	41.24	41.25	41.26	二次元/2.5D	OK
内径 /I. D.	21.5±0.5mm	—	21.33	21.35	21.52	21.73	21.55	二次元/2.5D	OK
Outer diameter of magnetic disc	43.5±0.5mm	—	43.20	43.26	43.23	43.30	43.21	二次元/2.5D	OK
间距/spacing	12.5+/-2	—	11.33	12.53	12.21	11.19	10.58	二次元/2.5D	OK

<b>新葉科技（東莞）有限公司</b> <b>SINYOTechnology(Dongguan)co., Ltd.</b> FAX:0769-86551123				
	拟定人/Prepared by bingxiangxie	检查人Reviewed By bingxiangxie	审核人/Approved By weiwei	Rev.01



新葉科技（東莞）有限公司  
SINYOTECHNOLOGY(DONGGUAN)CO., LTD.


# 材料清单 Material List

客户/CUSTOMER		品名/Part Name	新葉料号/SINYO PART NO. 客户料号/CUSTOMER PART NO.
PYS High-Tech Co., LTD		COIL	21.5*42*0.08*45PX10TS ECM_QIA11X1AAA_V2.0

序号 /NO.	物料名称/ Material name	物料品号 /Material part NO.	厂商 /Manufacturer
1	铜线 /Copper wire	2UEW-HB0.08*45P	WEI FEN 伟峰
2	无铅锡条 /Lead-Free Solder	YD-99.9%Sn	YI DA易达
3	泡棉盘 /Foam plate	360*260*60 (25lattice)	LIN ZHI琳芝
4	胶水 /Glue	SH-8536	HE BANG合邦
5	铁氧体/Feerite	Ø43.5*0.8	LIN ZE 凌泽
6	铁氧体/Feerite	Ø18*0.5	GAN TAI赣泰
7	背胶/adhesive backing	3M 9448A	GAN TAI赣泰

拟定人/Prepared By: bingxiangxie

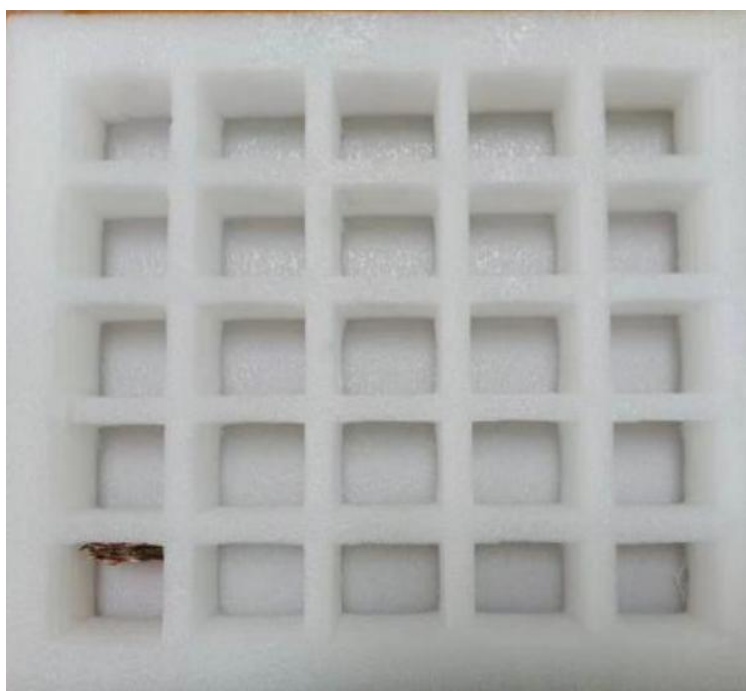
审核人/Approved By: weiwei


**新葉科技（東莞）有限公司**  
 SINYOTECH  
 SINYOTECH (Dongguan)  
 co., Ltd.

**COIL机种包装方式**  
**Manner of packing**

客户 /Customer: PYS High-Tech Co., LTD  
 品名/part name: COIL  
 品号/part NO: / 21.5\*42\*0.08\*45PX10TS /ECM QIA11X1AAA\_V2.0

Packaging method



Foam tray packaging
specification: 360*260*60mm (25lattice)
20pcs/lattice
500pcs/tray
carton (REF)
specification: 390*290*280mm k=k (strengthen)
4tray/box
2000pcs/box

Wireless charging coil storage method	
Part number	20.5*42*0.08*45PX10TS
Foam tray packaging	4tray/box
Store humidity	Not more than 80%RH
Storage temperature	room temperature
Storage time	3 months (1 year for the coil body, 3 months for the tinned part of the leads)
Environmental protection	Environmental and non-environmentally friendly materials are separated from
Manufacturing requisition	FIFO-out

Remarks: 1. Each bundle of COIL should be placed close in the carton, and the middle should be comfortably separated to relieve the shaking of the coil in the carton.

拟定人/Prepared By: bingxiangxie

审核人/Approved By: weiwei



# 信赖性实验 Reliability Test

新葉科技（東莞）有限公司  
SINYOTECHNOLOGY(DONGGUAN)CO., LTD.

客户/customer: PYS High-Tech Co., LTD

品名/part name: COIL

品号/part NO.: 21.5\*42\*0.08\*45PX10TS /ECM\_QIA11X1AAA\_V2.0

日期/Date: 2022-6-1

项目(ITEM)	测试条件 Experiment condition	测试方法(叙述实验方法) Test method(Describe the experiment)	备注/remark
拉力 /Bond Strength	15G MIN	将COIL的两根引出线分别缠绕在拉力计的指针上,用手拿住COIL本体,与引线呈90度角向下拉动.直至引线脱离COIL的本体,这时拉力计上的数字就是这根引出线所能承受的拉力数据. /Tie the two lead wire of coil on the pulling force machine, pull the coil vertically downward until the lead wire loose away from the coil the record the data.	
針孔 /Pinhole test	12V/1minutes	將COIL通電放入針孔測試液裡面一份鐘,看線圈本體是否冒紅 /Put the COIL into the pinhole test solution to see if the COIL itself is red.	

拟定人/Prepared By:bingxiangxie

审核人/Approved By:weiwei