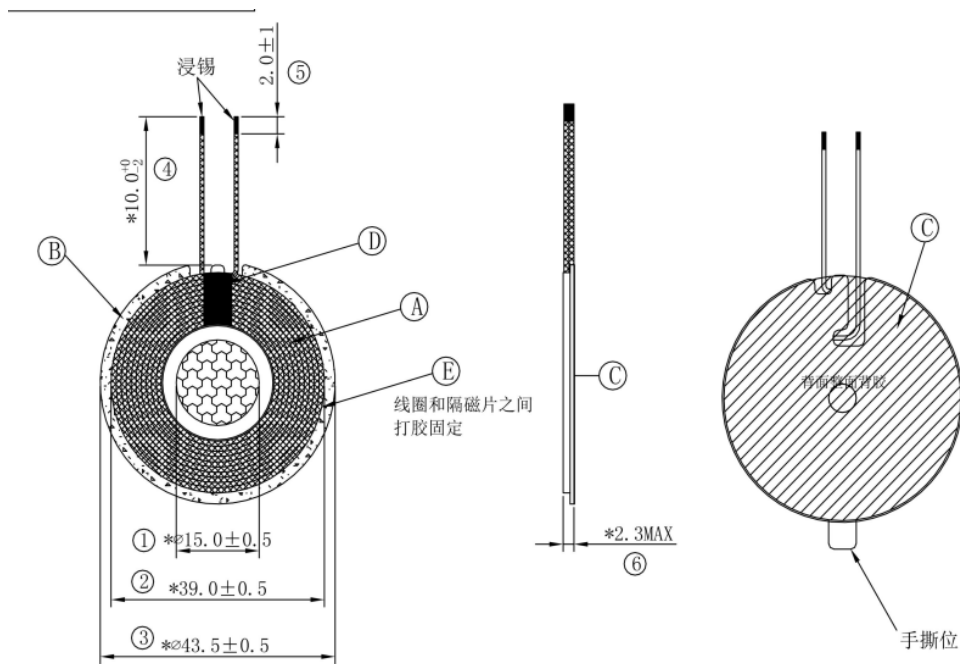


Antenna Specifications

1. Manufacture: SHENZHEN ZTX COMMUNICATION TECHNOLOGY CO,LTD.
2. Model number: 20.5*42*0.08*105P*10TS
3. Floor plan unit: MM



4. Product parameters

Antenna Gain: 0dBi

Line diameter: 0.08*105P

Number of turns: 11

