

Foreword

Thank you for purchasing the Aputure DEC

Aputure DEC is a wireless remote adapter that allows you to attach Canon EF-mount lenses to MFT mount or E-mount cameras. Remote controlled by 2.4GHz FSK radio signal, it features stable and accurate aperture turning, smooth focus pulling, start/stop recording and even more. The Aputure DEC helps you to expand the possibilities of Canon EF-mount lenses when you capture video with cine style camera, DEC, Driving EOS lens for Cine.

Instructions

- Please read this product manual carefully.
Keep this product manual. Always include this product manual when passing the products on to third parties.
Head all warnings and follow all instructions in this product manual as stated.
WARNING: Do not touch the product's electrical contacts with your fingers. This is to prevent the contacts from corroding. Corroded contacts can cause the product to malfunction.
Only use a microfibre and dry cloth to clean the product.
Operate carefully to not cause any damage by dropping or causing shock damage to the product.
Do not leave the product near anything that has a strong magnetic field such as a magnet or electric motor. Also avoid using or leaving the product near anything emitting strong radio waves such as a large antenna. Strong magnetic fields can cause the product to malfunction or destroy data transferring.
Do not leave the product in excessive heat such as in a car in direct sunlight. High temperatures can cause the product to malfunction.
To reduce the risk of fire or electric shock, do not use the product near water and do not expose it to rain or moisture.
Keep the product stored in a cool and dry place.
Except for changing the MFT-mount or E-mount, disassembling the product yourself is forbidden. Please have the product checked by an authorized service or agent if your product has a problem. The malfunctions caused by you or no allowed disassembling are not under the warranty.
Use of original Aputure cables/accessories is recommended. Please note that this warranty does not apply to repairs arising out of the malfunction of non-original Aputure accessories, although you may request such repairs on a chargeable basis.
The product is certified by ROSH, CE and FCC. Please operate the product in full compliance with the operation standards. Please note that this warranty does not apply to repairs arising from malfunction, although you may request such repairs on a chargeable basis.
The instructions and information in this manual are based on thorough, controlled camera testing procedures. Further notices will not be given if the design or specifications change.

Intended use

- Intended use of the Aputure DEC means:
The user has read the instructions of this manual.
The user is using the products within the operating conditions and limitations described in this product manual.
'Improper use' means using the products other than as described in these instructions or under operating conditions which differ from those described herein.

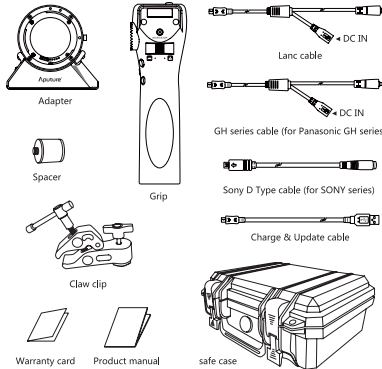
Detailed product manual for Aputure DEC can be found on the movie solution page on www.aputure.com.

Trademarks

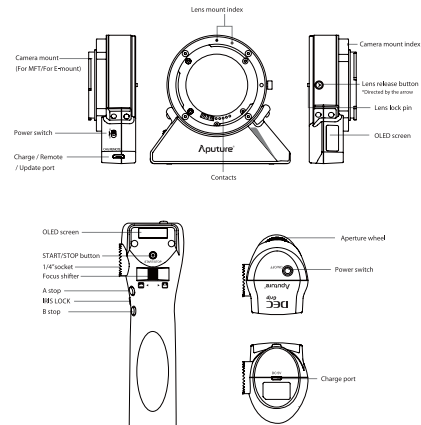
Canon is a trademark or registered trademark of Canon INC in the P.R.C. and other countries. Panasonic is a trademark or registered trademark of Panasonic Corporation in the P.R.C. and other countries. BMCC is a trademark or registered trademark of Blackmagic Design Pty. Ltd in the P.R.C. and other countries. All other corporate and product names and trademarks mentioned in this manual are the property of their respective owners.

Item check list

Before starting, please check that all the following items have been included with Aputure DEC. If anything is missing, contact your dealer.



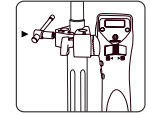
Nomenclature



Installations

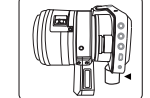
1. Claw Clip

Aputure DEC can be set on rocker, tripod, shoulder and other supporting systems.



2. Spacer

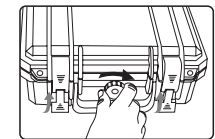
Install some small cameras such as BMCC with a spacer on a tripod.



Operations

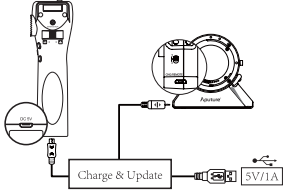
1. Opening the safe case

Release the shifts on both sides to open the safe case. You need loosen the balance valve clockwise before if needed.



2. Charging the adapter and grip

Charge the grip and the adapter by connecting to a USB cable (the Charge & Update cable support), which should be attached to an AC adapter (5V 1A).



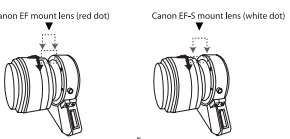
The battery icon will blink while charging. When this icon shows, that means the battery is fully charged.



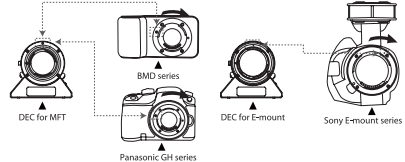
Showing low battery of the adapter (the same display appears on the adapter). Showing low battery of the grip (without display on the adapter).

3. Attaching a lens and a camera

Align the different dots on the adapter and lens and turn the lens by the arrow until it snaps into place.



Align the different dots on the adapter and camera and turn the adapter by the arrow until it snaps into place.



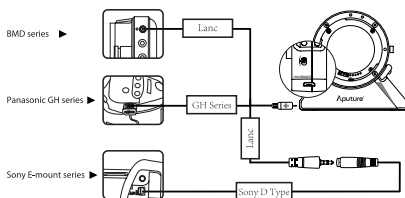
Turning it the opposite direction can cause the lens to dismount

\* Please first turn off all the power of the devices, then push down the lens release button as the pasted arrow shows on the button before detaching or changing the lens.

4. Connecting the remote cable

Connect the remote cables to the cameras according to the different ports and cables showed in the pictures.

- Examples for connecting:
(1) Connect the adapter with BMCC by [Lanc] cable.
(2) Connect the adapter with SONY NEX-VG20 by [Lanc] cable/[SONY D type] cable.
(3) Connect the adapter with GH4 by [GH series cable].



5. Power on

Power on the adapter and grip, the OLEDs will display the same as the picture below.



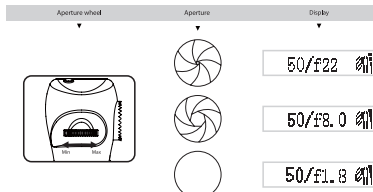
6. Starting/Stopping recording

By pressing <Start/Stop>, you can start or stop the video recording.



7. Adjusting the aperture

Dial < [ ] > to set your desired aperture in every 1/3 EV steps. Left for the minimum and right for the maximum. The OLED screens on both adapter and grip will display the f value.

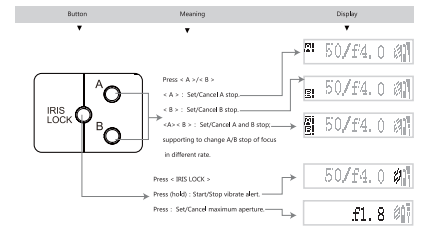


8. Speed changeable focus pull

Dial < [ ] > to move the focus. Turn left to move the focus faraway and right for closer. The more you move the focus shifter, the faster the focus change will be.



9. A, B stops and IRIS LOCK



Tips and trouble setting

- 1. Please full charge the Aputure DEC the first time you use it.
2. Aputure DEC is able to work while charging by connecting to USB cable which attached to an AC adapter (5V 1A).
3. Please charge the Aputure DEC within 3 minutes after the low battery icon appeared in case of unstable work.
4. Please charge for the grip before using it again if it was powered off because of low battery.
5. Aputure DEC has been paired before shipping. You can follow the steps below if it is needed.
Press < ON/OFF > of the adapter while simultaneously pressing < START/STOP > of the adapter till the OLEDs both display 'Pairing...'. Then hold on pressing the adapter, pull < ON/OFF > of the grip to < ON >. The OLEDs both display 'Pair\_OK'. This means pairing is finished.
6. The aperture value of some lenses cannot be displayed correctly.
7. Numerous focus pulling may change the memory of stop A and B.
8. The < START/STOP > button cannot be used when in < IRIS LOCK > mode in case of malfunction, press < IRIS LOCK > to cancel the mode and start to record.
9. Please update firmware of the adapter according to the direction on our official updating website: http://www.aputure.com/dec/update/

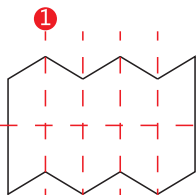
Specifications

Table with 3 columns: Components, Adapter, and Grip. Rows include Battery Voltage, Battery Capacity, Charge/Remote/Update port, Charge Voltage, Peak Current, Battery Durance, Temperature, Humidity, Remote Rate, Remote Range, Construction Accessories, Lens Compatible, and Camera Compatible.

The list of tested capable Lenses is below and more can be found on the official website: http://www.aputure.com/dec-compatible-lens-list

Table listing tested compatible lenses: EF 35mm f/1.4L USM, EF 50mm f/1.8 II, EF 40mm f/2.8 STM, EF 16-35mm f/2.8L II USM, EF 50mm f/1.4 USM, EF 24-70mm f/2.8L II USM, EF 24-105mm f/4L USM, EF 70-200mm f/2.8L II USM, EF-S 18-55mm f/3.5-5.6, EF 100mm f/2.8L II USM, EF-S 18-200mm f/3.5-5.6 IS, EF 85mm f/1.2L II USM.

折页方式:



为折线(不印刷)

折页成型 (英文在正面):

Table with Aputure logo and company name: 深圳市爱图仕影像器材有限公司. It includes project details, dimensions, material, and contact information.

This device complies with Part 15 of the FCC Rules. Operation is subject to the following two conditions: (1) this device may not cause harmful interference, and (2) this device must accept any interference received, including interference that may cause undesired operation.

Changes or modifications not expressly approved by the party responsible for compliance could void the user's authority to operate the equipment.

NOTE: This equipment has been tested and found to comply with the limits for a Class B digital device, pursuant to Part 15 of the FCC Rules. These limits are designed to provide reasonable protection against harmful interference in a residential installation. This equipment generates, uses instructions, may cause harmful interference to radio communications. However, there is no guarantee that interference will not occur in a particular installation. If this equipment does cause harmful interference to radio or television reception, which can be determined by turning the equipment off and on, the user is encouraged to try to correct the interference by one or more of the following measures:

- Reorient or relocate the receiving antenna.
- Increase the separation between the equipment and receiver.
- Connect the equipment into an outlet on a circuit different from that to which the receiver is connected.
- Consult the dealer or an experienced radio/TV technician for help.