

Foreword

Thank you for purchasing the Aputure DEC LensRegain!
 Aputure DEC LensRegain is a wireless remote adapter with focal reducer that allows you to attach Canon EF-mount lenses to MFT mount cameras. The equipped 0.75x focal reducer enable you to get a wider field of view. The Aputure DEC LensRegain helps you to expand the possibilities of Canon EF-mount lenses when you capture video with cine style camera.

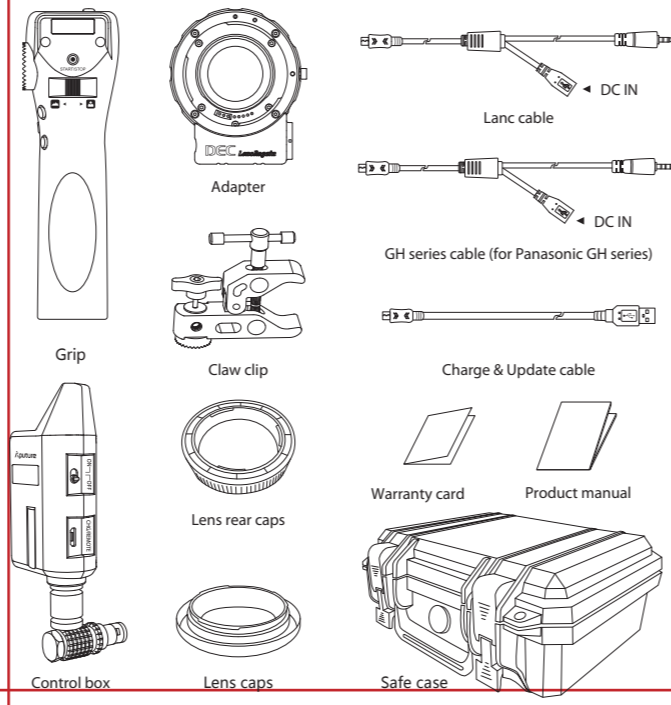
- Instructions**
- Heed all warnings and follow all instructions in this product manual as stated.
 - Do not touch the product's electrical contacts with your fingers. This is to prevent the contacts from corroding. Corroded contacts can cause the product to malfunction.
 - Do not look at the sun or a bright light source through the lens. Doing so could result in loss of vision. Looking at the sun directly through the lens is especially hazardous.
 - Do not leave the lens under the sun without the lens cap attached. This is to prevent the lens from concentrating the sun's rays, which could cause a fire.
 - Only use a microfibre and dry cloth to clean the product.
 - Operate carefully to not cause any damage by dropping or causing shock damage to the product.
 - Do not leave the product near anything that has a strong magnetic field such as a magnet or electric motor. Also avoid using or leaving the product near anything emitting strong radio waves such as a large antenna. Strong magnetic fields can cause the product to malfunction or destroy data transferring.
 - Do not leave the product in excessive heat, high temperatures can cause the product to malfunction.
 - To reduce the risk of fire or electric shock, do not use the product near water.
 - Please have the product checked by an authorized service or agent if your product has a problem. The malfunctions caused by your no allowed disassembling are not under the warranty.
 - Use of original Aputure cable accessories is recommended. Please note that this warranty does not apply to repairs arising out of the malfunction of non-original Aputure accessories, although you may request such repairs on a chargeable basis.
 - The product is certificated by RoHS, CE and FCC. Please operate the product in full compliance with the operation standards. Please note that this warranty does not apply to repairs arising from malfunction, although you may request such repairs on a chargeable basis.
 - The instructions and information in this manual are based on thorough, controlled company testing procedures. Further notice will not be given if the design or specifications change.

FCC Compliance Statement
 This device complies with Part 15 of the FCC Rules. Operation is subject to the following two conditions:
 (1) This device may not cause harmful interference, and (2) this device must accept any interference received, including interference that may cause undesired operation.
Warning: Changes or modifications not expressly approved by the party responsible for compliance could void the user's authority to operate the equipment.
NOTE: This equipment has been tested and found to comply with the limits for a Class B digital device, pursuant to Part 15 of the FCC Rules. These limits are designed to provide reasonable protection against harmful interference in a residential installation. This equipment generates uses and can radiate radio frequency energy and, if not installed and used in accordance with the instructions, may cause harmful interference to radio communications. However, there is no guarantee that interference will not occur in a particular installation. If this equipment does cause harmful interference to radio or television reception, which can be determined by turning the equipment off and on, the user is encouraged to try to correct the interference by one or more of the following measures:

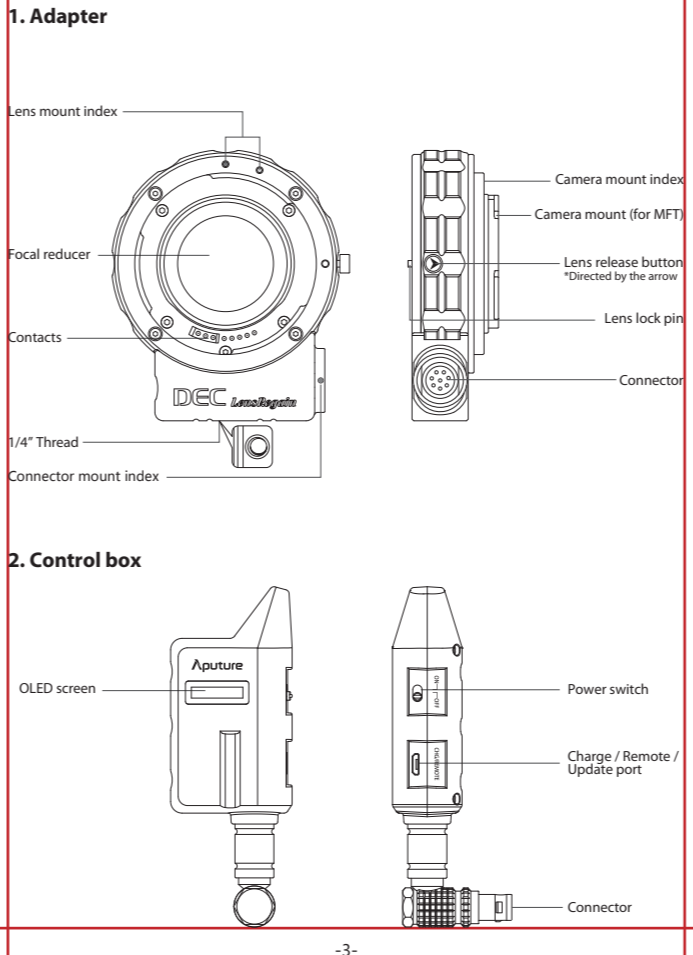
- Reorient or relocate the receiving antenna.
- Increase the separation between the equipment and receiver.
- Connect the equipment into an outlet on a circuit different from that to which the receiver is connected.
- Consult the dealer or an experienced radio/TV technician for help.

Item check list

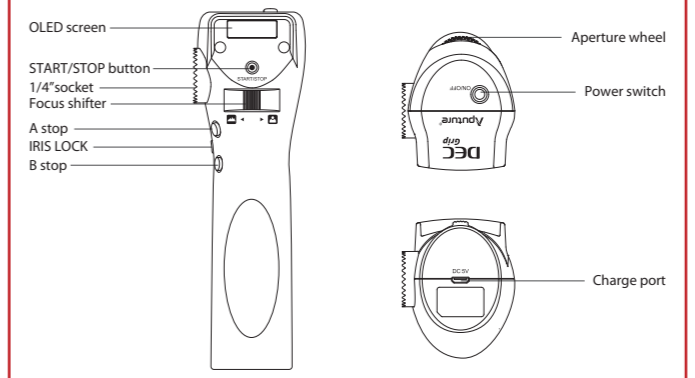
Before starting, please check that all the following items have been included with Aputure DEC LensRegain. If anything is missing, contact your dealer immediately.



Nomenclature

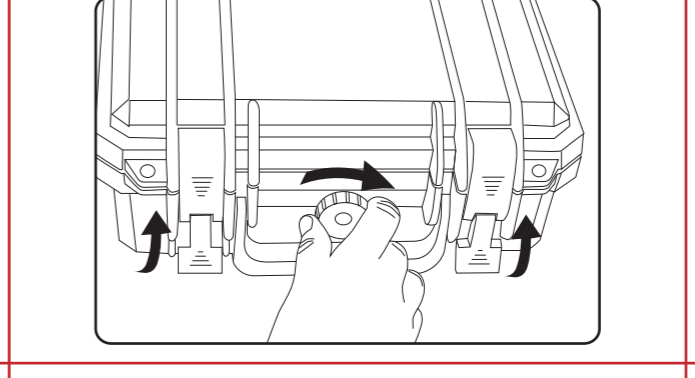


3. Grip



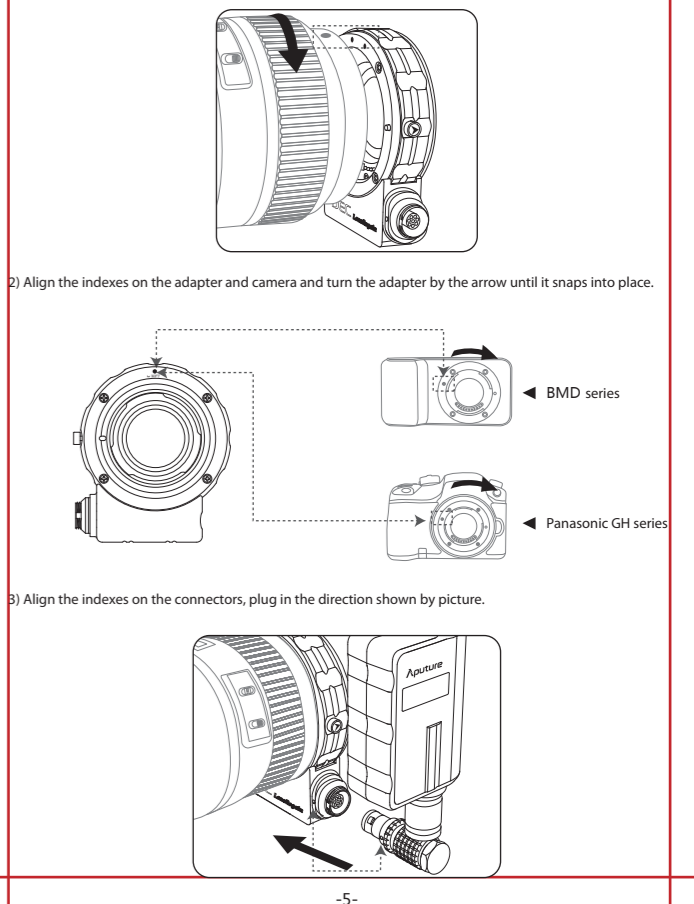
Preparation

1. Open safe case
 Release the shifts on both sides to open the safe case. You need loosen the balance valve clockwise before if needed.



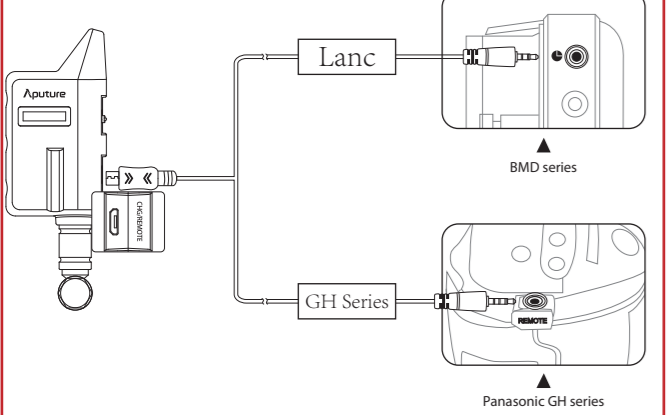
2. Attaching

1) Align Lens mount indexes on the adapter and lens and turn the lens by the arrow until it snaps into place. (If it is Canon EF mount lens, please follow the index of red dot. If it is Canon EF-S mount lens, please follow the index of white dot.)



3. Connect remote cable

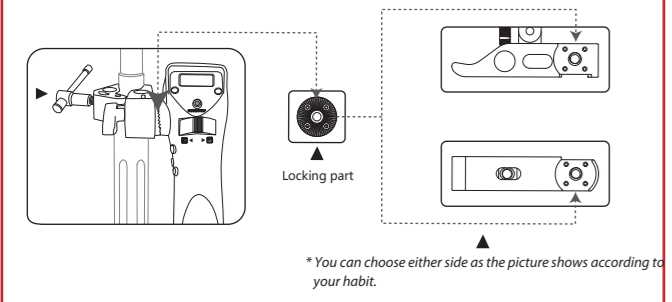
According to the port of your camera, please choose the correspond remote cable to connect adapter to your camera.



*Aputure DEC LensRegain is able to work while charging by connecting to USB cable which attached to an AC adapter (5V 1A).

4. Claw Clip

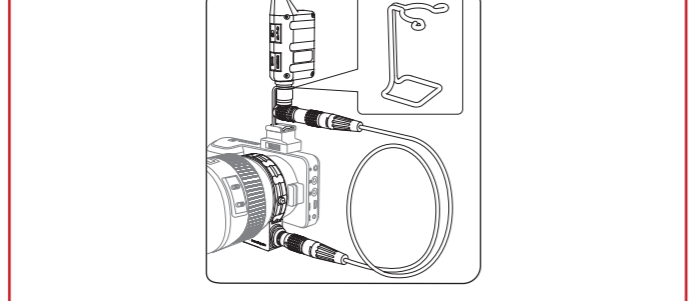
The grip can be set on rocker, tripod, shoulder and other supporting systems.



* You can choose either side as the picture shows according to your habit.

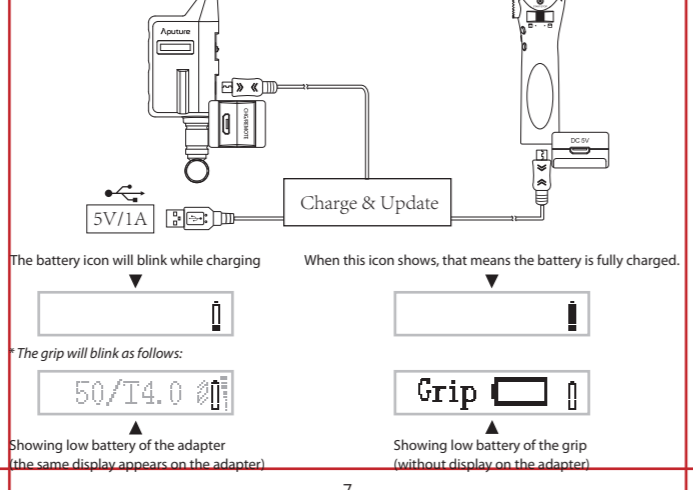
5. Install bracket

Adapter and control box of adapter can be separated and connected by an optional extension cable. And control box of adapter can be fixed on cold shoe mount of camera by an optional bracket shown in the picture.



6. Charging

Charge the grip and the adapter by connecting Charge & Update cable, which should be attached to an AC adapter (5V 1A).



The battery icon will blink while charging. When this icon shows, that means the battery is fully charged.

The grip will blink as follows:
 Showing low battery of the adapter (the same display appears on the adapter) Showing low battery of the grip (without display on the adapter)

Feature

1. Power on/off
Adapter: Switch Power switch to ON to start up. Switch Power switch to OFF to close down.
Grip: Short press the Power switch to switch the state of starting up and closing down.



* Please full charge the Aputure DEC LensRegain the first time you use it.

2. Focal reducer

The equipped 0.75x focal reducer enable you to get a wider field of view. It helps to increase the maximum aperture to 1 stop. Photographically this will enable you to reduce your exposure time and still capture the same amount of light. Therefore, the screen will display the equivalent aperture(T), instead of aperture(f). For example, if the aperture is set at f4, DEC LensRegain will display T2.8.

* As for depths of field, it still keeps original character of lens.

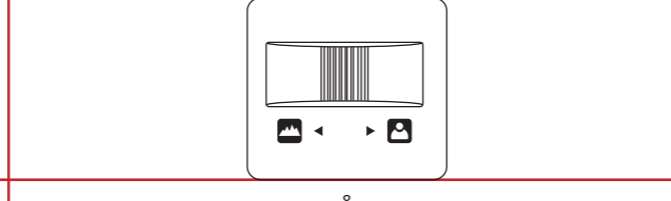
3. Start/Stop recording

By pressing <Start/Stop>, you can start or stop the video recording.



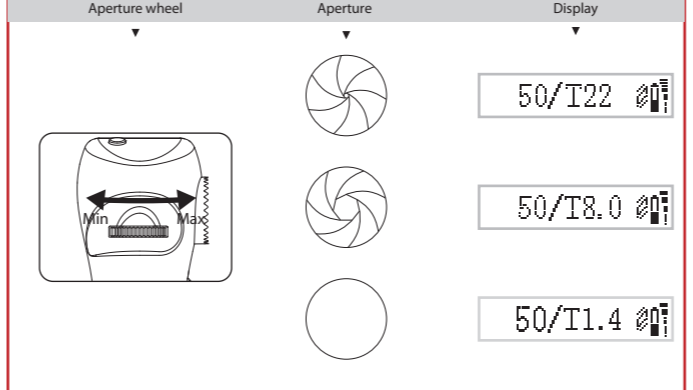
4. Adjust focus

Dial < > to move the focus. Turn left to move the focus faraway and right for closer. The more you move the focus shifter, the faster the focus change will be.



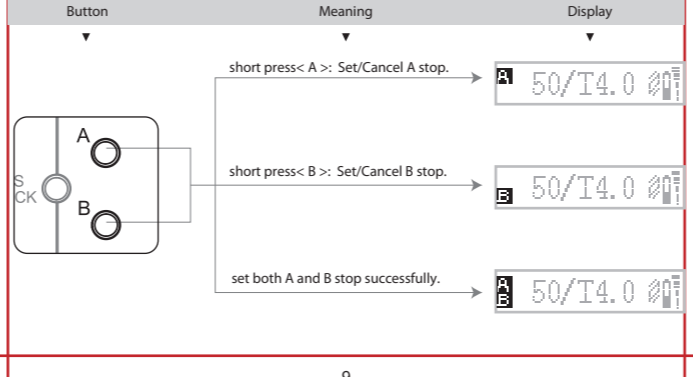
5. Adjust aperture

Dial < > to set your desired aperture in every 1/3 EV steps. Left for the minimum and right for the maximum. The OLED screens on both adapter and grip will display the f value.

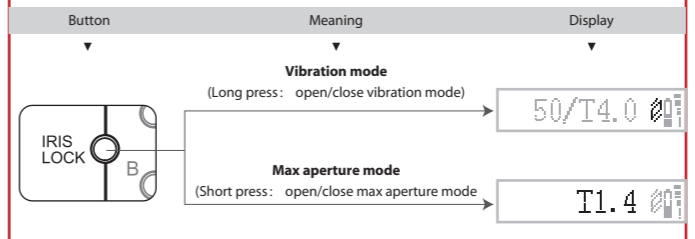


6. A、B stops

Short pressing <A>/ on grip can set the position memory of location. After setting both positions, moving focus between A and B can be achieved by dialing.



7. Max aperture mode & Vibration mode



Tips and trouble setting

- Please charge the Aputure DEC LensRegain within 3 minutes after the low battery icon appeared in case of unstable work.
- Please charge for the grip before using it again if it was powered off because of low battery.
- The aperture value of some lenses might not be displayed correctly.
- Numerous focus pulling may change the memory of stop A and B.
- Suggest to use the Canon EF L lens or Canon STM lens. Other lenses especially made by the third party may cause the incoherent movement when being controlled by the DEC LensRegain.
- Please first set the camera to be in "Release without Lens enabled" mode if it does have before using together with the DEC LensRegain.
- If the lens is taken from a cold environment into a warm one, condensation may develop on the lens surface and internal parts. To prevent condensation in this case, first put the lens into an airtight plastic bag before taking it from a cold to warm environment. Then take out the lens after it has warmed gradually. Do the same when taking the lens from a warm environment into a cold one.
- Aputure DEC LensRegain has been paired before shipping. You can follow the steps below if it is needed:
 - Adapter keeps OFF;
 - First press <START/STOP> of the Grip, then simultaneously Press <ON/OFF> of the Grip. The Grip will display "Pairing..."
 - Pull <ON/OFF> of the adapter to <ON>. The OLEDs both display "Pair_OK". This means pairing is finished.
- If you use manual-focus lens to DEC LensRegain, you cannot adjust focus remotely.
- Firmware of adapter is constantly under development, which means Aputure may release latest firmware on official website:
 - Website: <http://www.aputure.com/DEC-LensRegain/Update/>
 - Please update firmware following the instructions on our official website.

Specifications

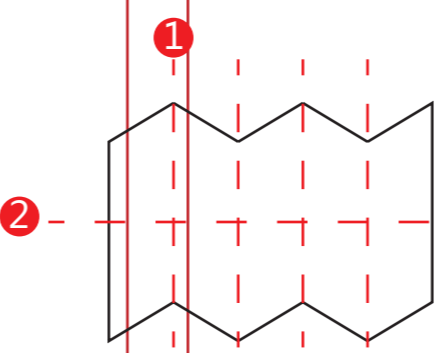
Components	Adapter	Grip
Battery Voltage	3.7V	3.7V
Battery Capacity	1400mAh	2600mAh
Charge/Remote/Update port	Micro USB	Micro USB (charge only)
Charge Voltage	5V	5V
Peak Current	≤500mA	≤300mA
Battery Durance	≤10h	≤48h
	Based on a fully charged Li-Ion battery, a Canon EF 24-70mm/2.8L II USM and CIPA testing standards.	
Temperature	Operation	0°C-40°C
	Storage	-20°C-60°C
Humidity	65±20% (without condensation)	
Remote Rate	2.4GHz	
Remote Range	≤100m	
Construction Accessories	1/4" Jack	Claw clip
Lens Compatible	Canon EF, EF-S AF lenses	
Camera Compatible	MFT(Micro 4/3)-mount (for all frame sizes) camera	
	Lens Elements/Groups	4/4
	Magnification	0.75x
Focal Reducer	Dimension	Φ37mm
	Distagon T* 35mm f/1.4	

The list of tested capable Lenses is below and more can be found on the official website: <http://www.aputure.com/DEC-LensRegain-compatible-lens-list>

Canon EF 70-200mm f/2.8L IS II USM	Canon EF 24-105mm f/4L II USM
Canon EF 40mm f/2.8 STM	Canon EF 50mm f/1.8 II
Canon EF-S 18-135mm f/3.5 IS STM	Canon EF-S 18-55mm f/3.5-5.6 IS STM
Canon EF-S 10-18mm f/4.5-5.6 IS STM	Canon EF 24-70mm f/2.8L II USM
Distagon T* 35mm f/1.4	

Trademarks
 Canon is a trademark or registered trademark of Canon INC in the P.R.C. and other countries.
 Panasonic is a trademark or registered trademark of Panasonic Corporation in the P.R.C. and other countries.
 BMD is a trademark or registered trademark of Blackmagic Design Pty. Ltd in the P.R.C. and other countries.
 All other corporate and product names and trademarks mentioned in this manual are the property of their respective owners.

折页方式：



为折线(不印刷)

折页成型 (英文在正面)：



Aputure 深圳市爱图仕影像器材有限公司			
设计项目	053 说明书	图号	AP-053-PR-02
尺寸(mm)	585*280 mm 折页尺寸: 97.5*140mm	版本	V1.0
材质工艺	70g 书纸, 正反两面印刷	设计师	宋爱玉
备注	料号: 553000500000	日期	20151225

使用者指南

中文

前言

感谢您购买爱图仕产品

爱图仕无线控制转接器减焦版是一款连接佳能EF-卡口镜头与 MFT (Micro 4/3) 卡口相机的无线控制减焦增光转接器...

重要提示

- 请注意所有警告提示并遵守使用者指南中的所有指令。请勿用手指接触本设备的电子触点... 警告：请勿透过转换器的镜头观看太阳或明亮的光源...

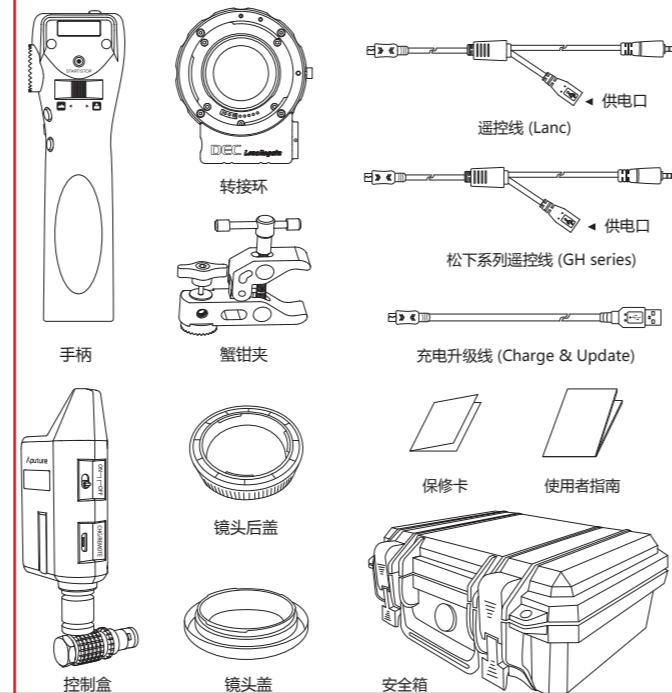
FCC 符合声明

此设备符合 FCC 规则第 15 部分中的规范。操作设备须符合以下两个条件：1) 此设备不会导致有害干扰；2) 此设备可承受任何外来干扰...

- 调整接收天线的方向或重新放置。扩大设备与接收器之间的距离。将设备连接到其他电路的插座中...

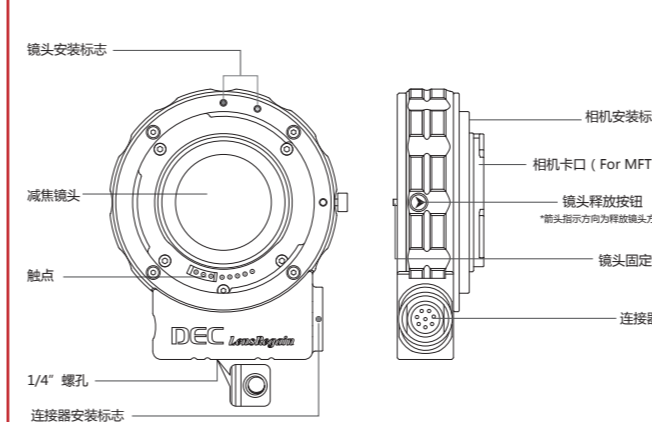
物品清单

使用本产品前，请检查包装内是否包含所有以下物品。如有缺失，请即刻与经销商联系。

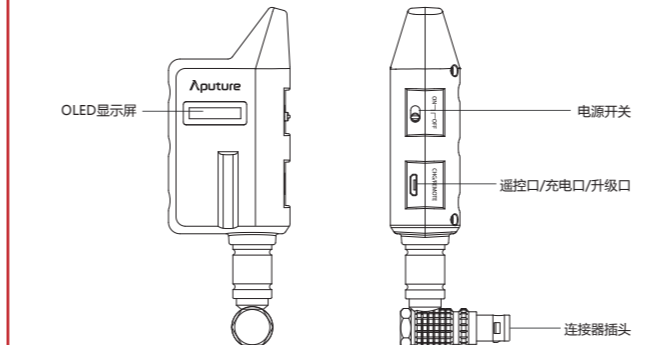


产品视图

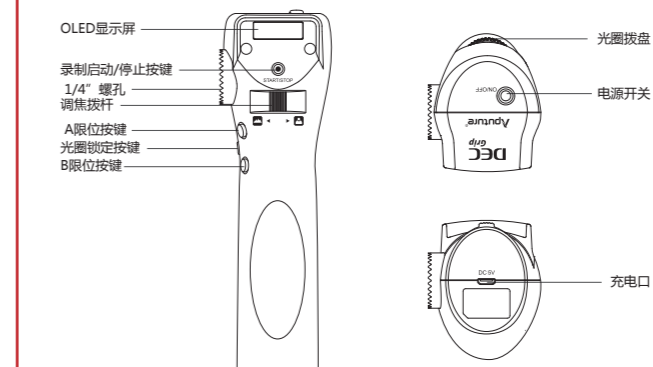
1. 转接环



2. 控制盒



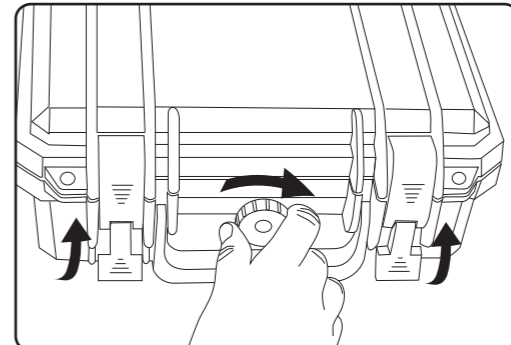
3. 手柄



安装与使用

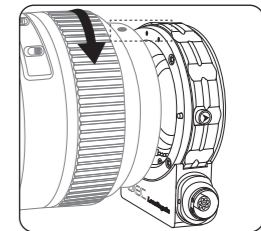
1. 开箱

向上提起安全箱两侧扳扣，即可打开。在有些情况下，您可能需要先顺时针旋松气压平衡阀。



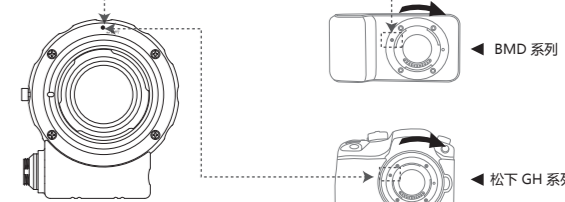
2. 转接环安装

1) 安装镜头：对准镜头与转接环的安装标识，按箭头方向旋转镜头安装至转接环。 (佳能EF镜头需对准转接环红点，佳能EF-S镜头需对准转接环白点)

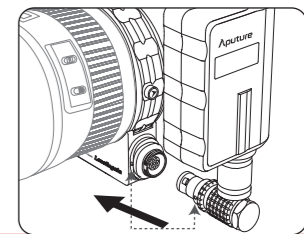


相反的操作可卸下镜头，按照镜头释放按钮上的指示方向按下镜头释放按钮，反向旋转镜头即可卸下镜头。 更换或卸下镜头前请先关闭所有设备的电源。

2) 安装相机：对准相机安装标识，按箭头方向旋转相机安装至转接环。

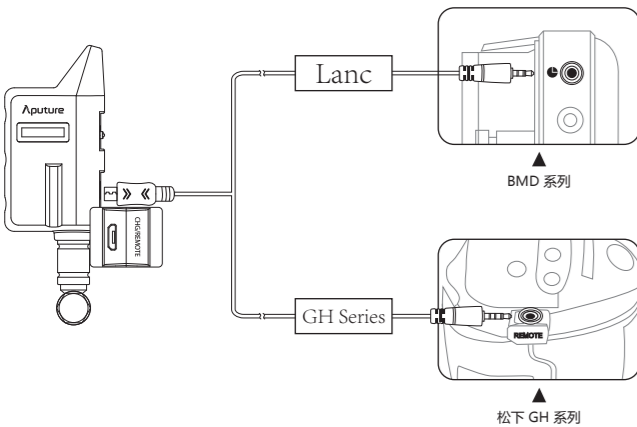


3) 安装转接器：对准控制盒与转接环安装标识，按箭头方向插入。



3. 连接遥控线与相机

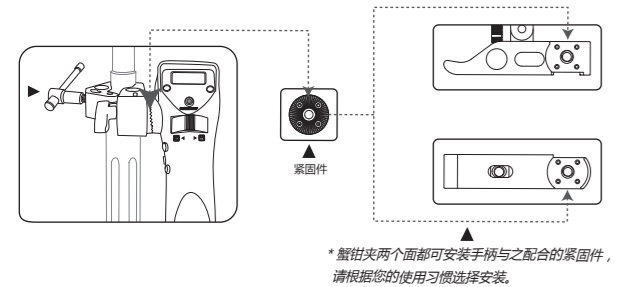
如图所示，根据不同的相机遥控插孔，用不同的遥控线连接控制盒和相机



*若需实现边充电边工作，可使用5V1A适配器或移动电源通过充电线接入充电口。

4. 蟹钳夹

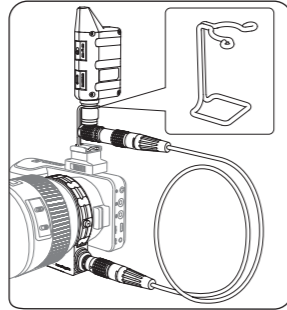
可夹持于摇臂，肩托，脚架等固定设备上。



*蟹钳夹两个面都可安装手柄与之配合的紧固件，请根据您的使用习惯选择安装。

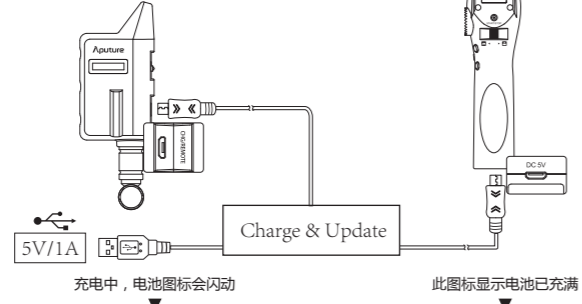
5. 支架安装

转接器可拆分工作，采用延长线 (另购) 将转接环与控制盒两者连接。并且控制盒部分可采用支架 (另购) 固定于相机机壳底座上。



6. 充电

充电时，使用充电升级线 (Charge & Update)，Micro USB端连接需充电的手柄或转接器，USB端连接5V1A的交流适配器 (另购)。



*发生电池低电压情况时，手柄的显示屏将分别提示如下：



显示转接器电量不足 (转接器上也将显示)

显示手柄电量不足 (转接器上将不显示此提示)

功能介绍

1. 开机

转接器电源开关拨至ON，开机；拨至OFF，关机。短按手柄电源开关ON/OFF，切换手柄开关机状态。机器成功开启后，屏幕如下显示：



*初次使用本产品请先充满电。

2. 增光减焦镜

本设备配备增光减焦镜头，会增大相机的通光量，相当于使用转接器，镜头光圈增大一档，焦距缩短0.75倍。因此，在显示屏中显示的光圈值为实际通光量的等效光圈值，而非相机设置的光圈值。如：相机设定为f4，而DEC LensRegain会显示T2.8。

*景深仍然保持原有镜头的特性

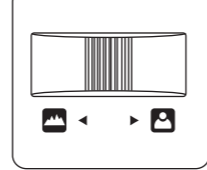
3. 开始/停止拍摄视频

按下<Start/Stop>按键，启动视频拍摄；再次按下<Start/Stop>按键，停止视频拍摄。



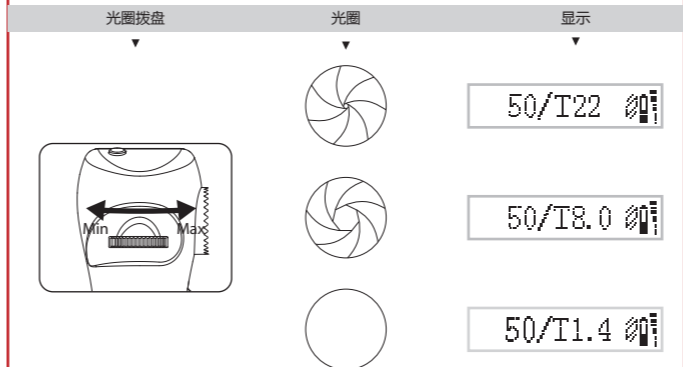
4. 变速调焦

拨动调焦拨杆< >，向左表示焦点向远处< >运动，向右表示焦点向近处< >运动。此外还可根据使用需要控制调焦速度，向左或向右的拨动幅度越小，焦点运动的速度越慢。反之，则越快。



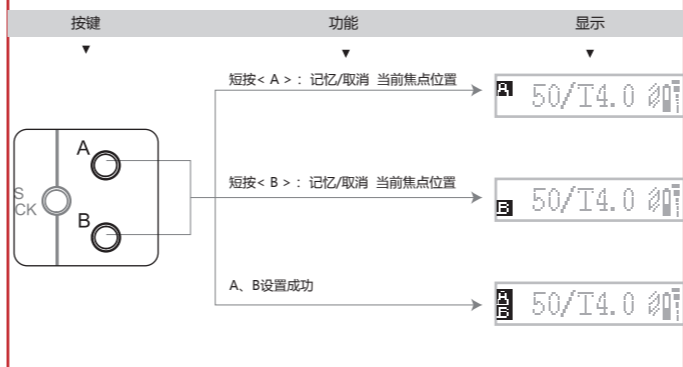
5. 光圈调节

拨动光圈拨盘< >调光圈。向左调小光圈，向右调大光圈。转接器和遥控手柄显示屏上将实时显示调整后的光圈数值。

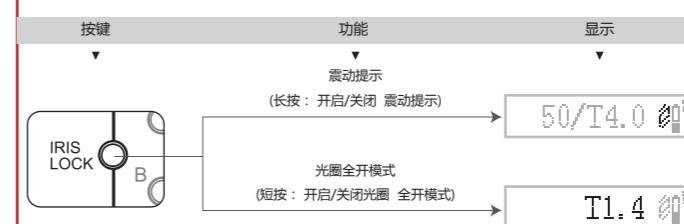


6. A、B焦点位置记忆

短按手柄上的<A>/按键，可设置记忆焦点位置。当焦点位置A、B都设置完成后拨动调焦拨杆，可实现焦点A、B之间变速调焦。



7. 光圈全开模式和震动提示



常见问题及小提示

- 1. 当出现低电报警时请及时充电，否则3分钟内产品会自动关机，并有可能造成工作不稳定。2. 手柄低电关机后需进行充电才能开机。3. 有些镜头的最大光圈值可能不能正确显示。4. A、B限位在多次往复运动后可能会发生位置偏移。5. 建议使用佳能EF L镜头或STM镜头，佳能低端的镜头或第三方的EF镜头会导致镜头运动的不连贯。6. DEC LensRegain与部分相机适配时，请先将相机设置到“无镜头拍摄”模式。如GH4，设置为“自定义—无镜头拍摄—开”。7. 如果将转接器从寒冷的环境拿到温暖的环境中，转接器表面和内部零件可能会发生结露。为防止在这种情况下出现结露，将转接器从寒冷的环境拿到温暖的环境之前，先将转接器放入密封的塑料袋里。转接器逐渐变暖以后，再将其拿出来使用。将镜头从温暖的环境拿到寒冷的环境中时，也请使用同样的方法。8. 本产品出厂时已经完成对码，特殊情况下需要对码，请按照以下方式操作：1) 确定转接器处于关闭状态；2) 保持长按手柄<START/STOP>按键，然后短按手柄<ON/OFF>，至手柄OLED屏显示“Pairing...”字样，再释放手柄<START/STOP>按键；3) 将转接器的电源开关推至ON。两部分显示屏会显示“Pair_OK”字样。配对成功。两部分显示屏将显示转接器上的信息：焦距，光圈，电池电量，信号场强等。9. 使用手动调焦镜头，远程控制焦距功能将不能使用。10. 本产品的握环部分支持固件升级：1) 升级固件下载网址：http://www.aputure.com/cn/DEC-LensRegain /Update/ 2) 升级固件时，请务必参照升级固件页面的步骤指引。

规格参数

规格参数表，包含类别、电池电压、电池容量、充电/遥控升级端口、充电电压、工作峰值电流、工作时长、温度、湿度、遥控频率、遥控距离、安装附件、兼容镜头、兼容相机、减焦镜头等参数。

经测试兼容镜头列表，更多兼容镜头请查询：

兼容镜头列表，包含镜头型号如Canon EF 70-200mm f/2.8L IS II USM, Canon EF 24-105mm f/4L II USM等。

商标声明

Canon等佳能公司在中国或其他国家的商标及产品型号。Panasonic等松下公司在中国或其他国家的商标及产品型号。BMPCC等Black Magic Design公司在中国或其他国家的商标及产品型号。以上未装提及的其他名称及产品可能为各自公司的商标或注册商标。