

Foreword

Thank you for purchasing the Aputure DEC Vari-ND!

Aputure DEC Vari-ND is a wireless remote adapter that allows you to attach Canon EF-mount lenses to MFT mount or E-mount cameras. In addition to retain all the DEC features, but also equipped with electronic Vari-ND lens assembly, from ND8 to ND2048, multi-steps light adjusting, even in bright light can also use large aperture motion blur shooting, and also helps you to expand the possibilities of Canon EF-mount lenses when you capture video with cine style camera.

Instructions

- Please read this product manual carefully.
- Keep this product manual. Always include this product manual when passing the products on to third parties.
- Heed all warnings and follow all instructions in this product manual.
- **WARNING:** Do not place the product in a place where there are corrosive chemicals to protect the product from corrosion, corrosion may cause the product to malfunction.
- Use only a microfiber and dry cloth for cleaning the product.
- Operate carefully to not cause any damage by dropping or physical shocking it.
- Do not leave the product near anything that has a strong magnetic field such as a magnet or electric motor. Also avoid using or leaving the product near anything emitting strong radio waves such as a large antenna. Strong magnetic fields can cause the product to malfunction or destroy data transferring.
- Do not leave the product in excessive heat, high temperatures can cause the product to malfunction.
- To reduce the risk of fire or electric shock, do not use the product near water.
- Keep storing the product in a dry, clean, dust-free environment.
- Please have the product checked by the authorized service or agent if your product has some problems. Please note that this warranty does not apply to repair arising out of the malfunction of unauthorized disassembly, although you may request such repairs on a chargeable basis.
- Use of original Aputure cable accessories is recommended. Please note that this warranty does not apply to repairs arising out of the malfunction of non-original Aputure accessories, although you may request such repairs on a chargeable basis.
- The product is certified by RoHS, CE, FCC and JAPAN MIC. Please operate the product in full compliance with the operation standards. Please note that this warranty does not apply to repair arising from malfunction, although you may request such repairs on a chargeable basis.
- The instructions and information in this manual are based on thorough, controlled company testing procedures. Further notice will not be given if the design or specifications change.

FCC Compliance Statement

This device complies with Part 15 of the FCC Rules. Operation is subject to the following two conditions: (1) This device may not cause harmful interference, and (2) This device must accept any interference received, including interference that may cause undesired operation.

Warning: Changes or modifications not expressly approved by the party responsible for compliance could void the user's authority to operate the equipment.

NOTE: This equipment has been tested and found to comply with the limits for a Class B digital device, pursuant to Part 15 of the FCC Rules. These limits are designed to provide reasonable protection against harmful interference in a residential installation. This equipment generates uses and can radiate radio frequency energy and, if not installed and used in accordance with the instructions, may cause harmful interference to radio communications. However, there is no guarantee that interference will not occur in a particular installation. If this equipment does cause harmful interference to radio or television reception, which can be determined by turning the equipment off and on, the user is encouraged to try to correct the interference by one or more of the following measures:

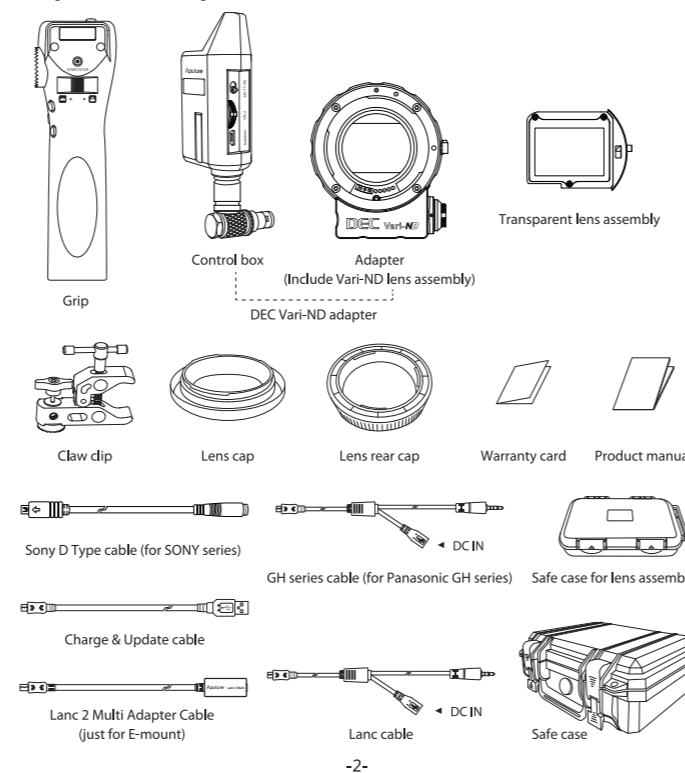
- Reorient or relocate the receiving antenna.
- Increase the separation between the equipment and receiver.
- Connect the equipment into an outlet on a circuit different from that to which the receiver is connected.
- Consult the dealer or an experienced radio/TV technician for help.

RF warning statement:

The device has been evaluated to meet general RF exposure requirement. The device can be used in portable exposure condition without restriction.

Item check list

Package includes the following items:

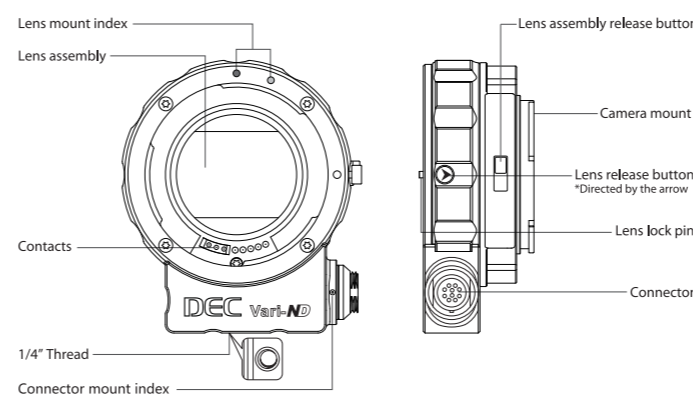


Product Manual

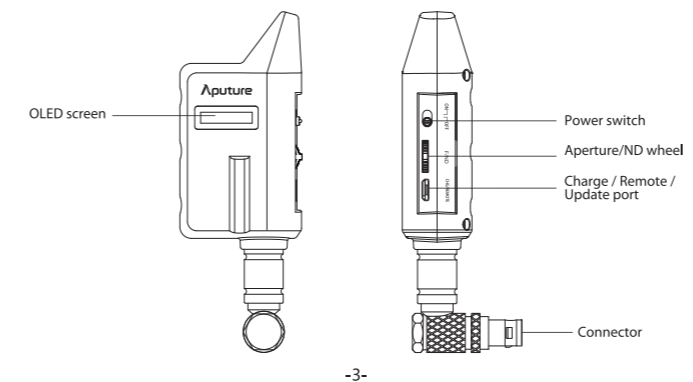
English

Nomenclature

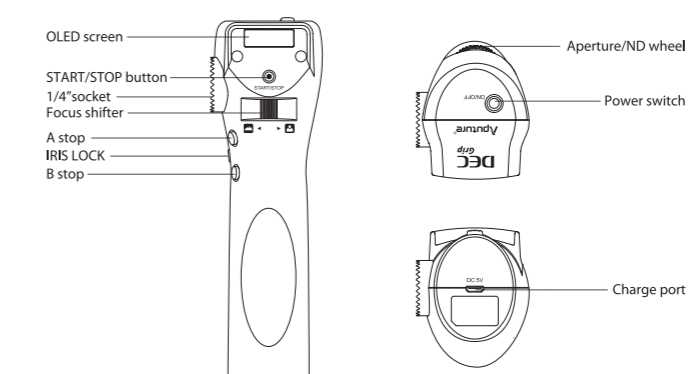
1. Adapter



2. Control box



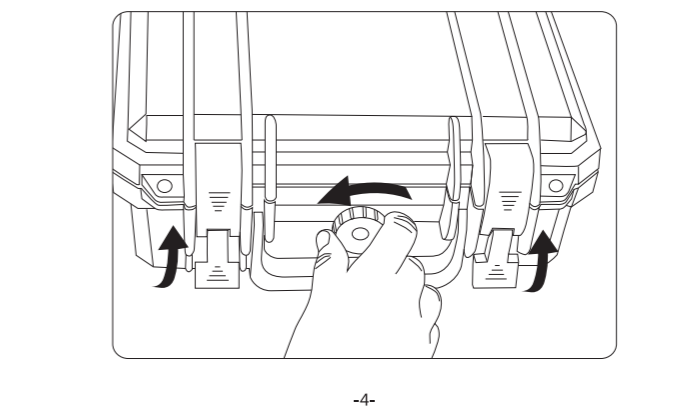
3. Grip



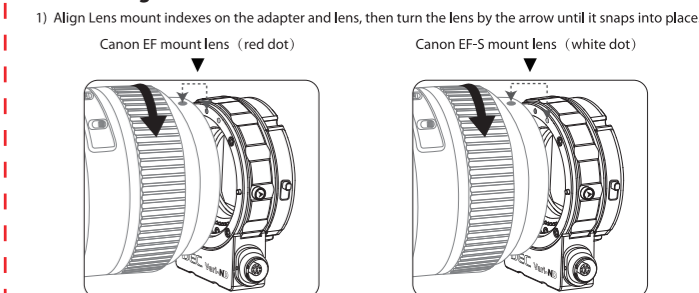
Preparation

1. Open safe case

Release the shifts on both sides to open the safe case. You need loosen the balance valve anticlockwise before if needed.

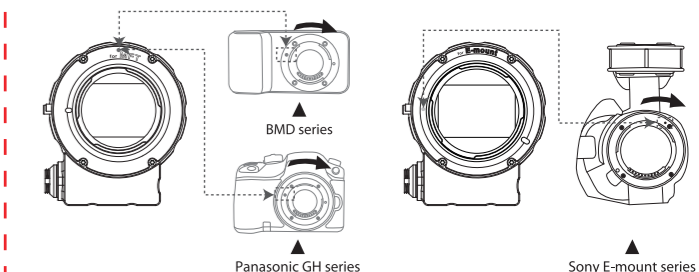


2. Attaching

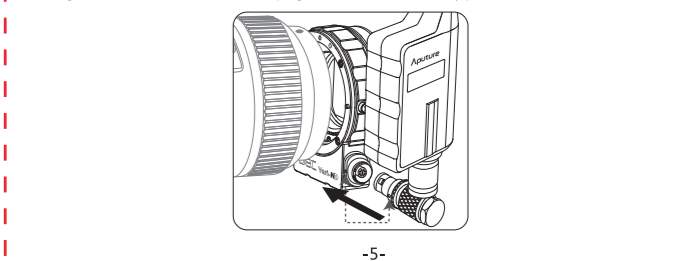


* Turn it the opposite direction can cause the lens to demount.
* Please first turn off all the power of the devices, then push down the lens release button as the pasted arrow shows on the button before detaching or changing the lens.

2) Align the indexes on the adapter and camera, and then turn the adapter by the arrow until it snaps into place.

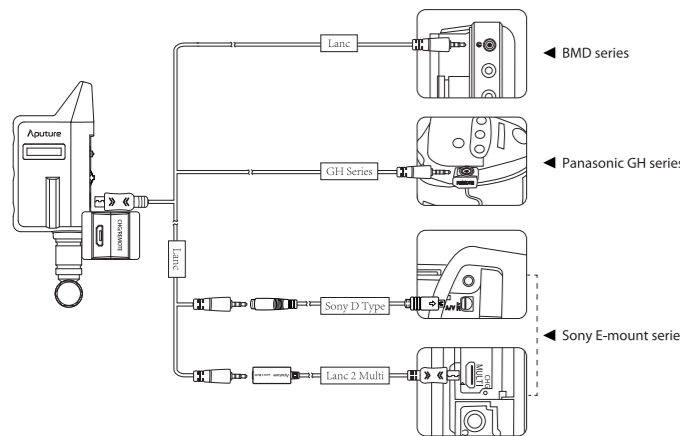


3) Align the indexes on the connectors, plug in the direction shown by picture.



3. Connect remote cable

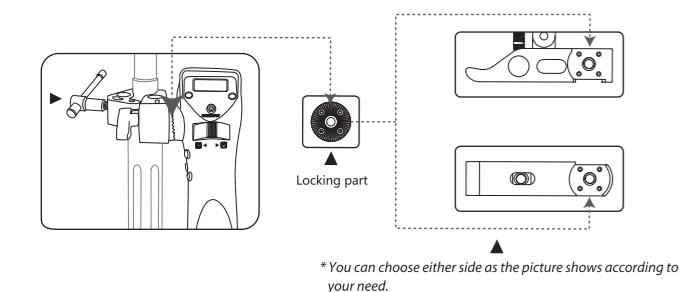
According to the port of your camera, please choose the correspond remote cable to connect adapter to your camera.



*Aputure DEC Vari-ND is able to work while charging by connecting to USB cable which attached to an AC adapter (5V 1A).

4. Install Claw Clip

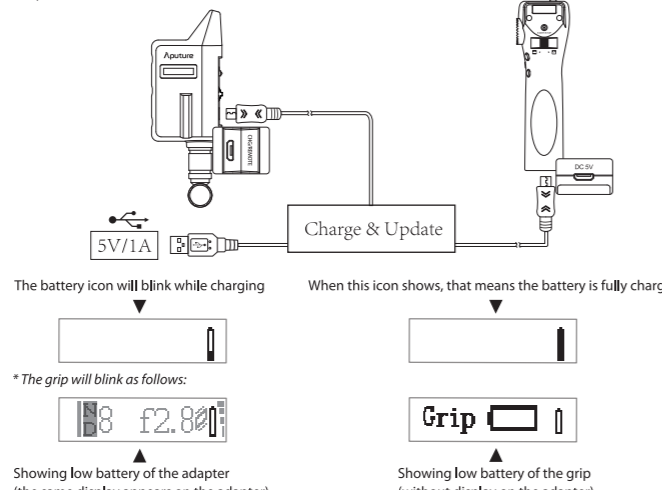
The grip can be set on rocker, tripod, shoulder and other supporting systems.



* You can choose either side as the picture shows according to your need.

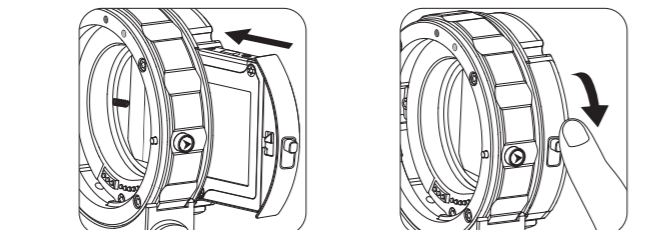
5. Charging

Charge the grip and the adapter by connecting Charge & Update cable, which should be attached to an AC adapter (5V 1A).



6. Install lens assembly

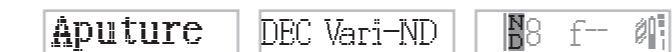
Push the lens assembly release button, you can eject the lens assembly. Depending on the use, you can replace the installation of Vari-ND lens assembly or transparent lens assembly. Note that save the replaced lens assembly in the lens assembly safe case.



Feature

1. Power on/off

Adapter: Switch Power switch to ON to start up. Switch Power switch to OFF to close down.
Grip: Short press the Power switch to switch the state of starting up and closing down.



* Please full charge the Aputure DEC Vari-ND the first time you use it.

2. Start/Stop recording

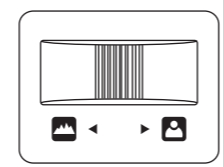
After connecting adapter to your camera with remote cable, by pressing <Start/Stop>, you can start or stop the video recording.



* Please first set the camera to be in "Release without Lens enabled" mode if it does have before using together with the DEC Vari-ND.

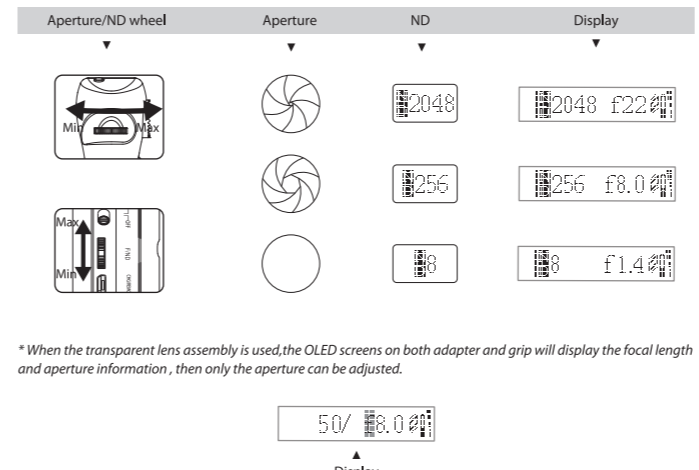
3. Adjust focus

Dial < > to move the focus. Turn left to move the focus faraway and right for closer. The more you move the focus shifter, the faster the focus change will be.



4. Adjust aperture and ND

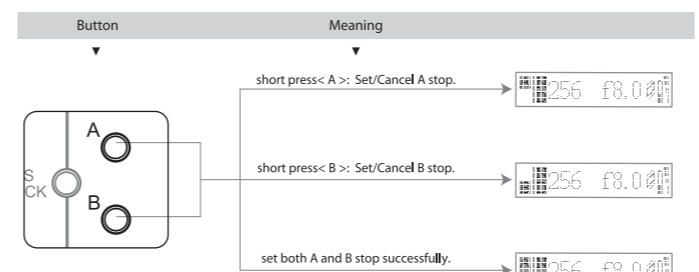
Short pressing <Aperture/ND wheel> on grip or control box can switch to adjust the aperture or ND, then dial the wheel to adjust the aperture or ND. The OLED screens on both adapter and grip will display the f or ND value.



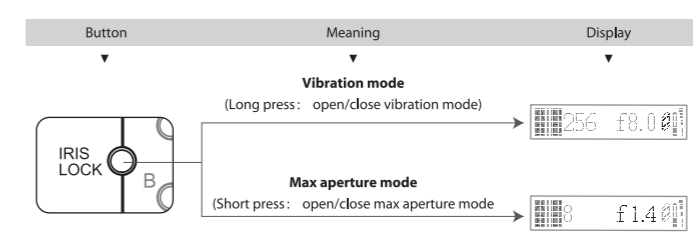
* When the transparent lens assembly is used, the OLED screens on both adapter and grip will display the focal length and aperture information, then only the aperture can be adjusted.

5. A、B stops

Short pressing <A>/ on grip can set the position memory of location. After setting both positions, moving focus between A and B can be achieved by dialing.



6. Max aperture mode & Vibration mode



* In the max aperture mode, do not support the grip for remote control to start and stop video shooting.

Tips and trouble setting

1. Please charge the Aputure DEC Vari-ND within 3 minutes after the low battery icon appeared in case of unstable work.
2. Please charge for the grip before using it again if it was powered off because of low battery.
3. The aperture value of some lenses might not be displayed correctly.
4. Numerous focus pulling may change the memory of stop A and B.
5. Suggest to use the Canon EF L lens or Canon STM lens. Other lenses especially made by the third party may cause the incoherent movement when being controlled by the DEC Vari-ND.
6. If the lens is taken from a cold environment into a warm one, condensation may develop on the lens surface and internal parts. To prevent condensation in this case, first put the lens into an airtight plastic bag before taking it from a cold to warm environment. Then take out the lens after it has warmed gradually. Do the same when taking the lens from a warm environment into a cold one.
7. Aputure DEC Vari-ND has been paired before shipping. You can follow the steps below if it is needed:
 - 1) Adapter keeps OFF;
 - 2) First press <START/STOP> of the Grip, then simultaneously Press <ON/OFF> of the Grip. The Grip will display "Pairing..."
 - 3) Pull <ON/OFF> of the adapter to <ON>. The OLEDs both display "Pair_OK". This means pairing is finished
8. If you use manual-focus lens to DEC Vari-ND, you cannot adjust focus remotely.
9. Firmware of adapter is constantly under development, which means Aputure may release latest firmware on official website:
 - 1) Website: <http://www.aputure.com/DEC-Vari-ND/Update>
 - 2) Please update firmware following the instructions on our official website.

Specifications

Components	Adapter	Grip
Battery Voltage	3.7V	3.7V
Battery Capacity	1400mAh	2600mAh
Charge/Remote/Update port	Micro USB	Micro USB (charge only)
Charge Voltage	5V	5V
Peak Current	≤500mA	≤300mA
Battery Durance	≤10h	≤48h
Temperature	Operation: 0°C-40°C Storage: -20°C-60°C	
Humidity	65±20% (without condensation)	
Remote Rate	2.4GHz	
Remote Range	≤100m	
Construction Accessories	1/4" jack	Claw clip
Lens Compatibility	Canon EF, EF-S AF lenses	
Camera Compatibility	MFT (Micro 4/3)-mount (for all frame sizes) camera E-mount (for all frame sizes) camera	
ND Range	ND8-ND2048	

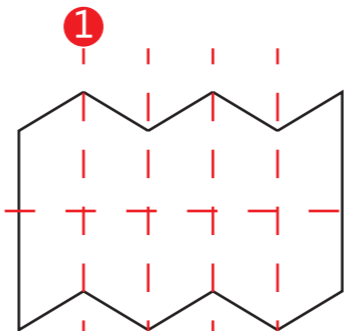
The list of tested compatible Lenses is below and more can be found on the official website: <http://www.aputure.com/DEC-Vari-ND/technique>

EF 35mm f/1.4L USM	EF 50mm f/1.8 II
EF 40mm f/2.8 STM	EF 16-35mm f/2.8L II USM
EF 50mm f/1.4 USM	EF 24-70mm f/2.8L II USM
EF 24-105mm f/4L USM	EF 70-200mm f/2.8L IS II USM
EF-S 18-55mm f/3.5-5.6	EF 100mm f/2.8L II USM
EF-S 18-200mm f/3.5-5.6 IS	EF 85mm f/1.2L II USM

Trademarks
Canon is a trademark or registered trademark of Canon INC in the P.R.C. and other countries.
Panasonic is a trademark or registered trademark of Panasonic Corporation in the P.R.C. and other countries.
BMD is a trademark or registered trademark of Blackmagic Design Pty. Ltd in the P.R.C. and other countries.
Sony is a trademark or registered trademark of Sony Corporation in the P.R.C. and other countries.
All other corporate and product names and trademarks mentioned in this manual are the property of their respective owners.

折页方式：

2



为折线(不印刷)

折页成型 (英文在正面)：



设计项目	082 说明书	图号	AP-082-PR-02
尺寸(mm)	585*280 mm 折页尺寸: 97.5*140mm	版本	V1.0
材质工艺	70g 书纸, 正反两面印刷	设计师	Jolin
备注	料号: 582000600000	日期	20170221

前言

感谢您购买爱图仕产品

爱图仕电子密度镜版多功能镜头转接器是一款连接佳能EF-卡口镜头与MFT(Micro 4/3)卡口或E-mount 卡口摄影机的无线控制转接器。除了保留DEC所有功能外，还配备电子可调密度镜，从ND8到ND2048，多级调光，即使在强光下也能使用大光圈拍摄运动模糊，同时可使您的EF卡口镜头轻松适配多种相机、摄像机，满足日益丰富的视频拍摄需求。

重要提示

- 请认真阅读本使用者指南。
- 请妥善保管使用者指南。将产品交给他人使用时，请务必附带本使用者指南。
- 请注意所有警告提示并遵守使用者指南中的所有指令。
- ⚠️ **警告：**请勿将本产品放置在有腐蚀性化学物品的地方，以免产品受到腐蚀，被腐蚀可能引起产品故障。
- 请用软布、干布清洁本设备。
- 本产品属于精密仪器，请避免使用时掉落、碰撞或承受重击。
- 请勿将本产品靠近具有强磁场的物体，如磁铁或电动机。另外也要避免将本产品靠近发出较强无线电波的物体，如天线。强磁场可能引起产品故障或破坏数据传输。
- 请勿将本产品放置在温度过高的地方，高温可能导致设备内电池受损或爆炸。
- 请勿在滴水或易潮湿的环境使用本产品，否则有短路或电击的危险。
- 请将本产品保存在干燥、干净、无尘的环境中。
- 需要维修时请联系授权的维修人员。本产品内有精密电子线路，未经许可擅自拆卸导致故障，不在本司保修范围内，但用户可以付费维修。
- 建议使用爱图仕原厂线缆。由于使用非爱图仕原厂附件导致本产品的任何损坏，不在本司保修范围内，但用户可以付费维修。
- 本产品已通过RoHS、CE、FCC和日本MIC认证，请参考相关国家标准使用和操作。因使用操作不当而造成机器损坏，不在保修范围内，但用户可以付费维修。
- 此使用者指南依据本公司严格测试制定。设计和规格如有变更，恕不另行通知。

FCC 符合声明

此设备符合 FCC 规则第 15 部分中的规范。操作设备须符合以下两个条件：

(1) 此设备不会导致有害干扰；

(2) 此设备可承受任何外来干扰，包括可能导致非预期操作的干扰。

【警告】如果用户未经爱图仕明确许可而进行改动或改装，可能会丧失继续操作该设备的权利。
【注】此设备经测试确定符合 B 类数码设备（依照 FCC 规则第 15 部分规范）的限制。这些限制的设计旨在为居住场所安装条件下的有害干扰提供合理的保护。此设备生成、使用并可以发射射频能量。如果未按照指示安装和使用，可能对无线电通信造成有害干扰。但是，在特定安装条件下，不保证这类干扰不会发生。如果此设备确实对无线电或电视机接收信号造成有害干扰，而这点可以通过关闭和打开设备来确定，那么建议用户尝试使用以下一种或多种措施来消除干扰：您可以在本公司网站 www.aputure.com.cn 中的炫彩视频系列产品栏目下找到本设备的详细使用者指南。

-1-

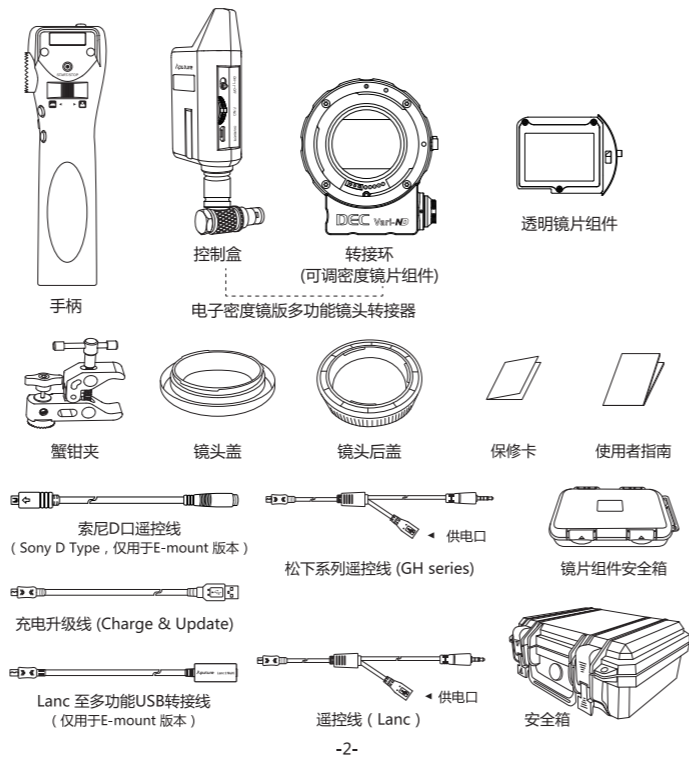
- 调整接收天线的方向或重新放置。
- 扩大设备与接收器之间的距离。
- 将设备连接到其他电路的插座中，而不是接收器所连接电路的插座。
- 咨询经销商或有经验的无线电/电视技术人员以获得帮助。

FCC 辐射暴露声明

本设备符合 FCC 针对不受控制环境所制定的辐射暴露限制。最终用户必须遵守射频暴露符合性的特定使用说明。

物品清单

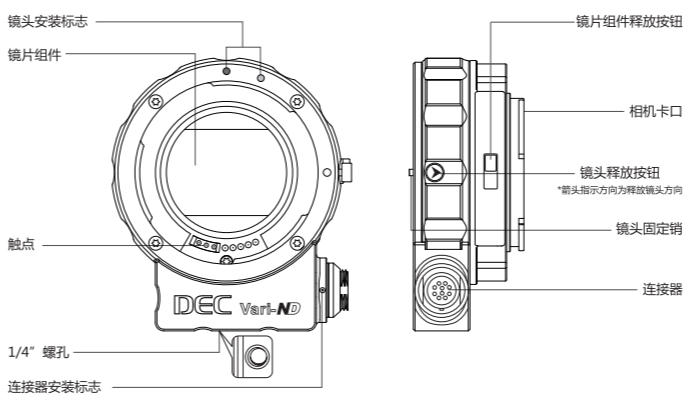
包装内包含以下物品：



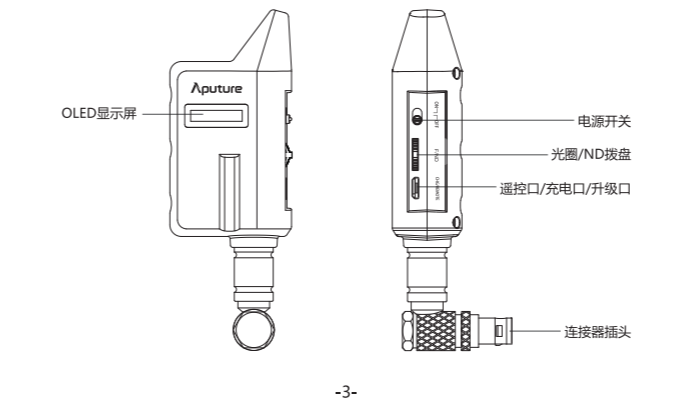
-2-

产品视图

1. 转接环

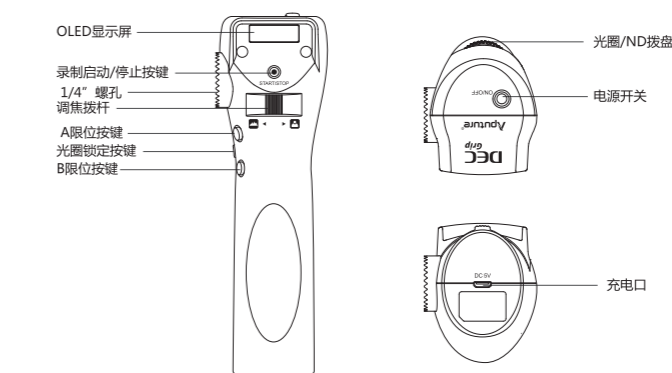


2. 控制盒



-3-

3. 手柄

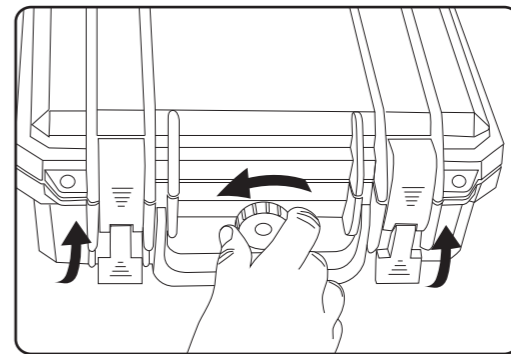


-4-

安装与使用

1. 开箱

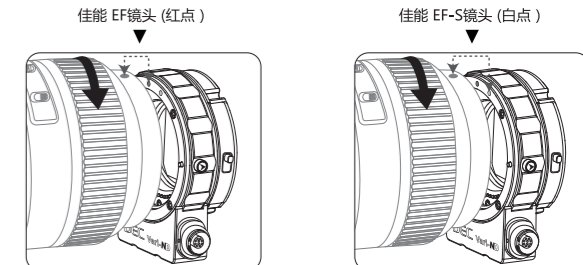
向上提起安全箱两侧扳扣，即可打开。在有些情况下，您可能需要先逆时针旋松气压平衡阀。



-4-

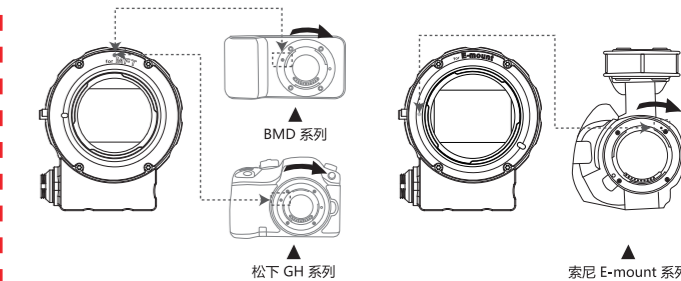
2. 转接环安装

1) 安装镜头：对准镜头与转接环的安装标识，按箭头方向旋转镜头安装至转接环。

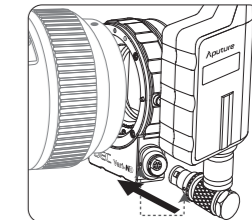


* 相反的操作可卸下镜头，按照镜头释放按钮的指示方向按下镜头释放按钮，反向旋转镜头即可卸下镜头。
* 更换或卸下镜头前请先关闭所有设备的电源。

2) 安装相机：对准相机安装标识，按箭头方向旋转相机安装至转接环。



3) 安装转接器：对准控制盒与转接环安装标识，按箭头方向插入。



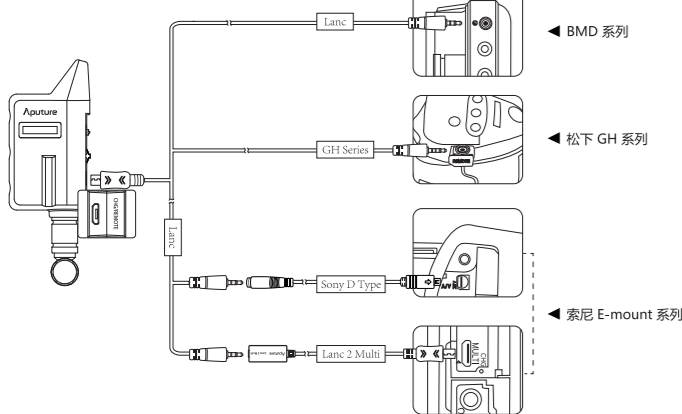
-5-

使用者指南

中文

3. 连接遥控线与相机

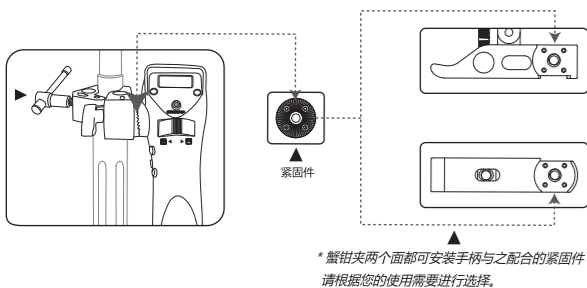
如图所示，根据不同的相机遥控插孔，用不同的遥控线连接控制盒和相机



* 若需实现边充电边工作，可使用5V1A适配器或移动电源通过充电线接入充电口。

4. 蟹钳夹安装

可夹持于摇臂、肩托、脚架等固定设备上。

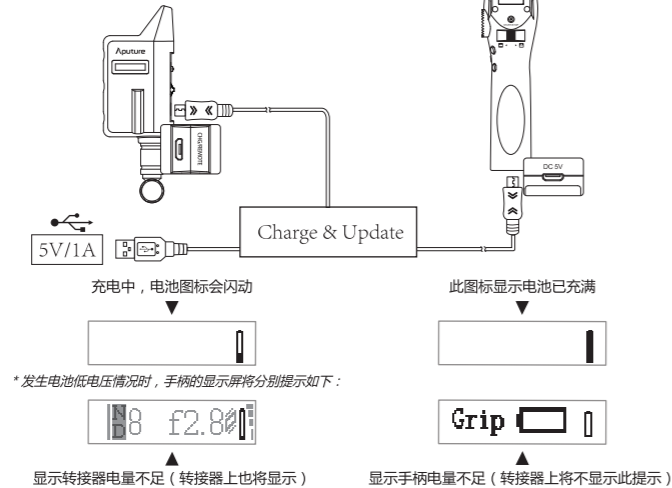


* 蟹钳夹两个面都可安装手柄与之匹配的紧固件，请根据您的使用需要进行选择。

-6-

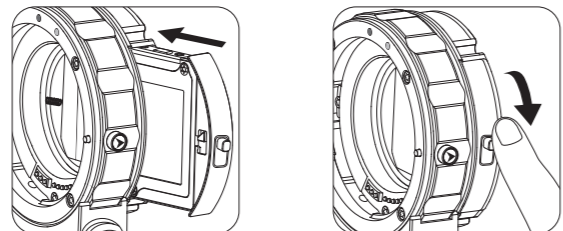
5. 充电

充电时，使用充电升级线 (Charge & Update)，Micro USB端连接需充电的手柄或转接器，USB端连接5V1A的交流适配器（另购）。



6. 安装镜片组件

拨动镜片组件释放按钮，可以弹出镜片组件。根据需要使用，可以替换安装可调密度镜组件或透明镜片组件使用。注意将替换下的镜片组件保存在镜片组件安全盒里。

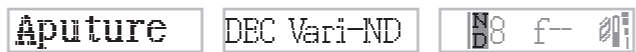


-7-

功能介绍

1. 开机

转接器电源开关拨至ON，开机；拨至OFF，关机。短按手柄电源开关ON/OFF，切换手柄开关机状态。机器成功开启后，屏幕如下显示：



*初次使用本产品请先充满电。

2. 开始/停止拍摄视频

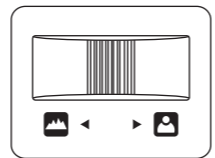
将遥控线连接控制盒和相机后，按下<Start/Stop>按钮，启动视频拍摄；再次按下<Start/Stop>按钮，停止视频拍摄。



* DEC Vari-ND与部分相机适配时，请先将相机设置到“无镜头拍摄”模式。如GH4，设置为“自定义-无镜头拍摄-1”。

3. 变速调焦

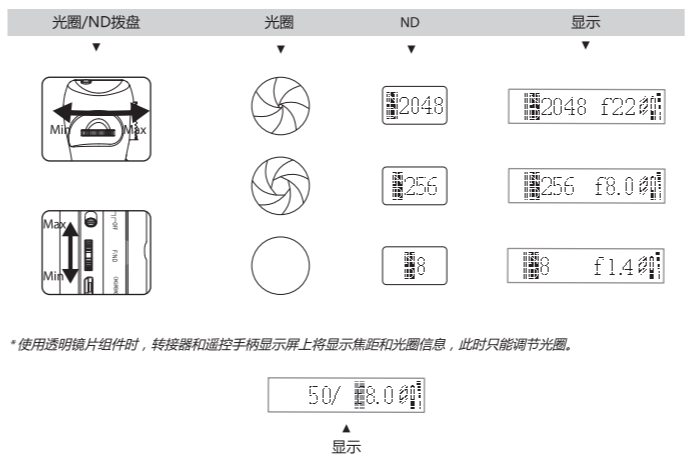
拨动调焦拨杆<A/B>，向左表示焦点向远处<A>运动，向右表示焦点向近处运动。此外还可根据需要使用控制调焦速度，向左或向右的拨动幅度越小，焦点运动的速度越慢。反之，则越快。



-8-

4. 光圈/ND拨盘调节

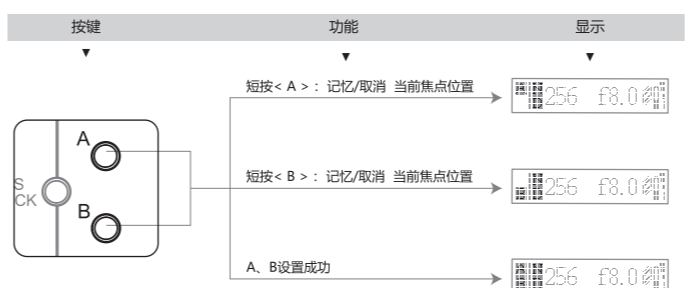
短按手柄或控制盒上光圈/ND拨盘可切换调节光圈或ND，拨动拨盘即可调整光圈或ND大小，转接器和遥控手柄显示屏上将实时显示调整后的光圈或ND数值。



* 使用透明镜片组件时，转接器和遥控手柄显示屏上将显示焦距和光圈信息，此时只能调节光圈。

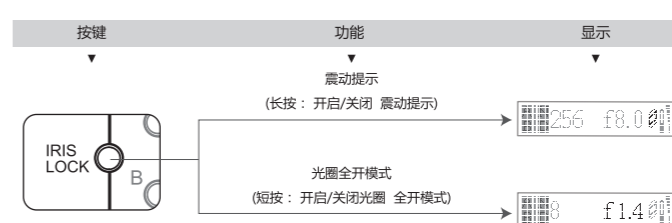
5. A、B焦点位置记忆

短按手柄上的<A>/按钮，可设置记忆焦点位置。当焦点位置A、B都设置完成后拨动调焦拨杆，可实现现在焦点A、B之间变速调焦。



-9-

6. 光圈全开模式和震动提示



* 在光圈全开模式时，不支持手柄进行遥控启动和停止视频拍摄。

常见问题及小提示

1. 当出现低电量警示请及时充电，否则3分钟内产品会自动关机，并有可能造成工作不稳定。
2. 手柄低电关机后需进行充电才能开机。
3. 有些镜头的最大光圈值可能不能正确显示。
4. A、B限位在多次往复运动后可能会发生位置偏移。
5. 建议使用佳能EF L镜头或STM 镜头，佳能低端的镜头或第三方的EF镜头会导致镜头运动的不连贯。
6. 如果将转接器从寒冷的环境拿到温暖的环境中，转接器表面和内部零件可能会发生结露。为防止在这种情况下出现结露，将转接器从寒冷的环境拿到温暖的环境之前，先将转接器放入密封的塑料袋里。转接器逐渐变暖后，再将其拿出来使用。将镜头从温暖的环境拿到寒冷的环境中时，也请使用同样的方法。
7. 本产品出厂时已经完成对码，特殊情况下需要对码，请按照以下方式操作：
 - 1) 确定转接器处于关闭状态；
 - 2) 保持长按手柄<START/STOP>按钮，然后短按手柄<ON/OFF>，至手柄OLED屏显示“Pairing...”字样，再释放手柄<START/STOP>按钮。
 - 3) 将转接器的电源开关推至ON。两部分显示屏会显示“Pair_OK”字样。配对成功。两部分显示屏将显示转接器上的信息：焦距或者ND、光圈、电池电量、信号场强等。
8. 使用手动调焦镜头，远程控制焦距功能将不能使用。
9. 本产品的转接部分支持固件升级：
 - 1) 升级固件下载网址：<http://www.aputure.com/cn/DEC-Vari-ND/Update>
 - 2) 升级固件时，请务必参照升级页面内的步骤指引。

-10-

规格参数

类别	转接器	手柄
电池电压	3.7V	3.7V
电池容量	1400mAh	2600 mAh
充电/遥控/升级接口	Micro USB	Micro USB(仅供充电)
充电电压	5V	5V
工作峰值电流	≤500mA	≤300mA
工作时长	≤10h	≤48h
	以CIPA标准测试 (EF 24-70mm/2.8L II USM)	
温度	工作温度	0°C-40°C
	储存温度	-20°C-60°C
湿度	65±20% (不结露)	
遥控频率	2.4GHz	
遥控距离	≤100m	
安装附件	1/4英寸螺孔	蟹钳夹
兼容镜头	佳能EF, EF-S卡口AF镜头	
兼容相机	Micro 4/3 (MFT)卡口的相机	
	E-mount卡口的相机	
ND范围	ND8-ND2048	

经测试兼容镜头列表，更多兼容镜头请查询：

<http://www.aputure.com/cn/DEC-Vari-ND/technique>

EF 35mm f/1.4L USM	EF 50mm f/1.8 II
EF 40mm f/2.8 STM	EF 16-35mm f/2.8L II USM
EF 50mm f/1.4 USM	EF 24-70mm f/2.8L II USM
EF 24-105mm f/4L USM	EF 70-200mm f/2.8L IS II USM
EF-S 18-55mm f/3.5-5.6	EF 100mm f/2.8L II USM
EF-S 18-200mm f/3.5-5.6 IS	EF 85mm f/1.2L II USM

商标声明

Canon等是佳能公司在中国或其他国家的商标及产品型号。
Panasonic等是松下公司在中国或其他国家的商标及产品型号。
BMPCC等是Black Magic Design公司在中国或其他国家的商标及产品型号。
Sony等是索尼公司在中国或其他国家的商标及产品型号。
以上未被提及的其他名称和产品可能为其各自公司的商标或注册商标。

-11-