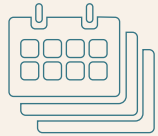
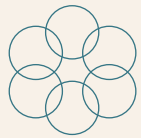


# Features At A Glance



## Multiple Calendar Views

See your events in a day, week, month, or schedule view by selecting a view in the top left-hand corner of your Calendar. Customize your schedule view in Settings to configure the number of days displayed at a time.



## Color Coding

Create categories to organize events by person (ie. Mom's Calendar) or by category (ie. Soccer Practice). Assign labels and colors to each category. Tap an event to reassign its category.



## Customizable Lists

Create, view, and customize Shopping, To-do, and Other lists (ie. Packing List). Organize your lists by assigning each list a color. Start by tapping the lists button on the home screen.



## Chore Chart

Manage daily chore and task progress for the whole household. Start by tapping the Chore view.

# Skylight Calendar

## Quick Start Guide



# Contents of the box

- Skylight Calendar
- Base Mount
- Stand & Screws (a ⚙ & b ⚙)
- Wall Mount & Screws (c ⚙)
- Power Cable

# Start Guide

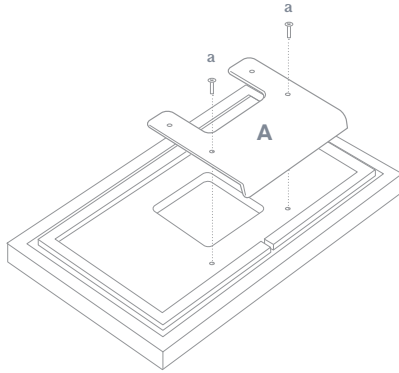
|                          |   |
|--------------------------|---|
| Setup Instructions ..... | 2 |
| Stand .....              | 2 |
| Wall Mount .....         | 3 |
| Getting Started .....    | 4 |
| Connect to WiFi .....    | 4 |
| Activate .....           | 5 |
| Sync .....               | 5 |
| Need Some Help? .....    | 6 |

# Setup Instructions

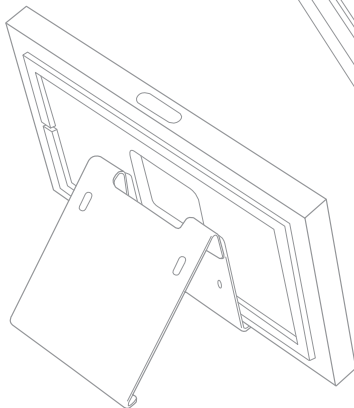
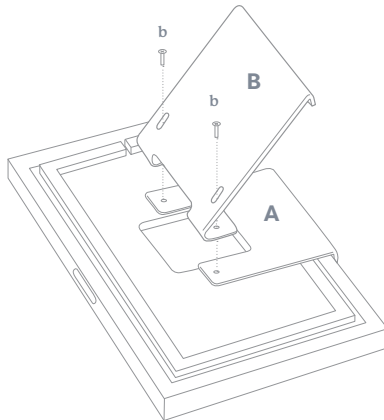
Skylight Calendar can currently only be displayed in landscape orientation. For video instructions, visit [youtube.com/c/SkylightFamily](https://www.youtube.com/c/SkylightFamily)

## Stand

1. Lay the device face down on a flat surface, and align the holes of base plate (A) with the holes on the back of the device. Use screws (a) to secure.

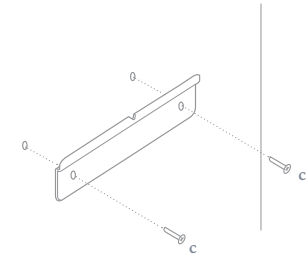


2. Line the holes of the angled stand (B) up with the smaller holes in the base plate (A). Thread a screwdriver through the stand holes to hand tighten screws (b).

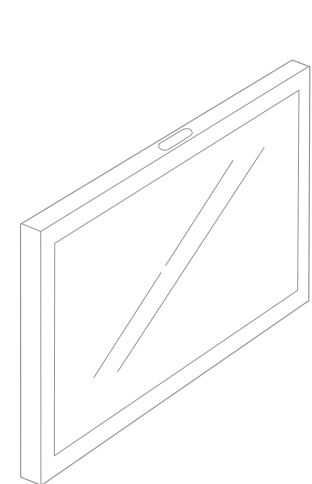
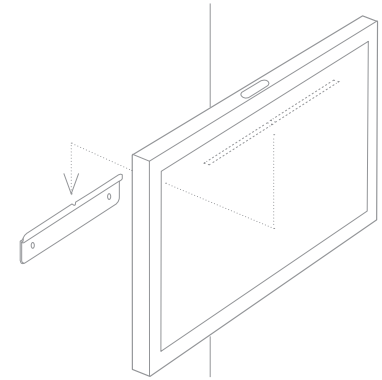


## Wall Mount

1. Attach the mount to the wall using the provided anchors and matching screws (c), with the pleat facing towards you.



2. Align the pleat with the grooves located at the back of the device, near the top, and hook the device on.



# Getting Started

## 1. Plug the power adapter into an outlet

Plug the round end of the cord into the port on the back of your Calendar marked 'Power'

## 2. Download the Skylight app

Search "Skylight App" in your app store or scan the QR code below. With the app, you can sync your calendars, view your events, and more.



Scan to  
download

# Connect to WiFi

## 1. Select your network

A list of available WiFi networks will appear on the right side of the screen. Tap to choose your network from the list. Swipe up if the list is long. If your network does not appear, wait for 30 seconds and check once more.

## 2. Enter your password

If your WiFi requires a password, a prompt will appear. Type in your password using the onscreen keyboard.

# Activate

## 1. Create your Calendar's email address

Download the app or visit [ourskylight.com/finalstep](https://ourskylight.com/finalstep) to make an account and activate your Calendar. Make sure you select Calendar for device type.

## 2. Use your code

Once you have created your Calendar's email address, our system will give you a 6-digit code. Enter this code on your Calendar using the on-screen keyboard.

## 3. Configure Settings

Access your Calendar's settings by tapping on the gear icon to find your device's email address and configure your device.

# Sync

## Sync Online Calendars

Sync your Skylight Calendar with your existing calendars (i.e. Google, Apple, Cozi, Outlook) using your account credentials or the online calendar's public URL in the mobile app or on [app.ourskylight.com](https://app.ourskylight.com). Any changes made on your online calendars will automatically reflect on your Skylight Calendar.

## Create Events

Create events directly on your Skylight Calendar by pressing the "+" button or in our app.

## Send Individual Events

Invite your unique Calendar email address (ie. cal-name@ourskylight.com) as an attendee to any event.

# Need Help?

If you have any questions about how to use or set up your Skylight Calendar, please visit our **User Guide** at [skylightframe.com/support](https://skylightframe.com/support). Or contact us at [help@skylightframe.com](mailto:help@skylightframe.com)

Make sure to download the Skylight app to get the most out of your Calendar!



Scan to download



## RF Exposure Statement

This equipment complies with the FCC RF radiation exposure limits set forth for an uncontrolled environment. This equipment should be installed and operated with a minimum distance of 20cm between the radiator and any part of your body. This equipment meets the exemption from the routine evaluation limits in section 2.5 of RSS-102. It should be installed and operated with a minimum distance of 20cm between the radiator and any part of your body.

Cet équipement est conforme à l'exemption des limites d'évaluation habituelle de la section 2.5 de la norme RSS-102. Il doit être installé et utilisé à une distance minimale de 20 cm entre le radiateur et toute partie de votre corps.

## FCC Warning

This device complies with Part 15 of the FCC Rules. Operation is subject to the following two conditions:

(1) This device may not cause harmful interference, and (2) this device must accept any interference received, including interference that may cause undesired operation.

**NOTE 1:** This equipment has been tested and found to comply with the limits for a Class B digital device, pursuant to part 15 of the FCC Rules. These limits are designed to provide reasonable protection against harmful interference in a residential installation. This equipment generates uses and can radiate radio frequency energy and, if not installed and used in accordance with the instructions, may cause harmful interference to radio communications. However, there is no guarantee that interference will not occur in a particular installation. If this equipment does cause harmful interference to radio or television reception, which can be determined by turning the equipment off and on, the user is encouraged to try to correct the interference by one or more of the following measures:

- Reorient or relocate the receiving antenna.
- Increase the separation between the equipment and receiver.
- Connect the equipment into an outlet on a circuit different from that to which the receiver is connected.
- Consult the dealer or an experienced radio/TV technician for help.

**NOTE 2:** Any changes or modifications to this unit not expressly approved by the party responsible for compliance could void the user's authority to operate the equipment.

## IC WARNING

This device contains licence-exempt transmitter(s) that comply with Innovation, Science and Economic Development Canada's licence-exempt RSS(s). Operation is subject to the following two conditions:

(1) This device may not cause interference.

(2) This device must accept any interference, including interference that may cause undesired operation of the device.

L'émetteur/récepteur exempt de licence contenu dans le présent appareil est conforme aux CNR d'Innovation, Sciences et Développement économique Canada applicables aux appareils radio exempts de licence. L'exploitation est autorisée aux deux conditions suivantes:

1. L'appareil ne doit pas produire de brouillage;

2. L'appareil doit accepter tout brouillage radioélectrique subi, même si le brouillage est susceptible d'en compromettre le fonctionnement.

The device is restricted to indoor use only when operating in the 5150 to 5250 MHz frequency range.

Lorsque l'appareil fonctionne dans la gamme de fréquences de 5150 à 5250 MHz, il est limité à une utilisation en intérieur uniquement.

