

# ***Vivint Magellan BT Antenna Specifications***

2023.03.30



*Smarter Solutions for a Smarter Future*

# Agenda

- Sample Picture
- Antenna specifications
  - Antenna Information
  - Antenna Peak Gain
- Antenna Outline
- Radiation Pattern



# Antenna specifications

- Antenna Information :

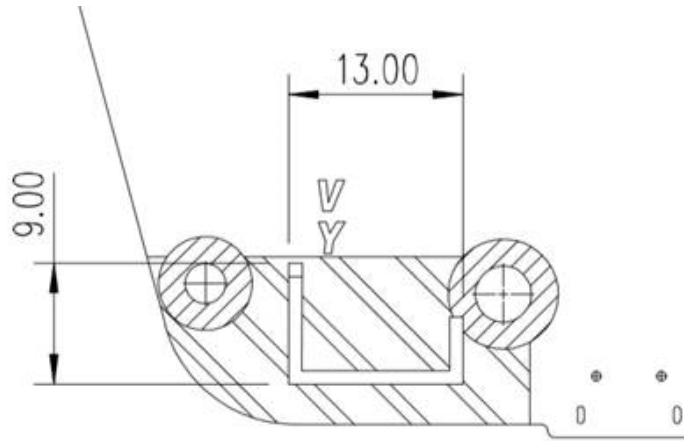
Antenna Number	Type	Polarization	Brand	Model	Cable length	Connector type
BT 2.4G	PIFA	Linear	WNC	On board	N/A	None

- Antenna Peak Gain :

BT	Peak Gain (dBi)
2.4 G	-0.36
2.45G	0.15
2.5G	-0.03



# Antenna Outline

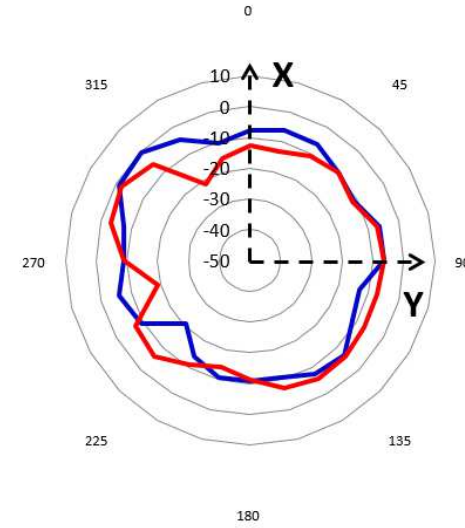
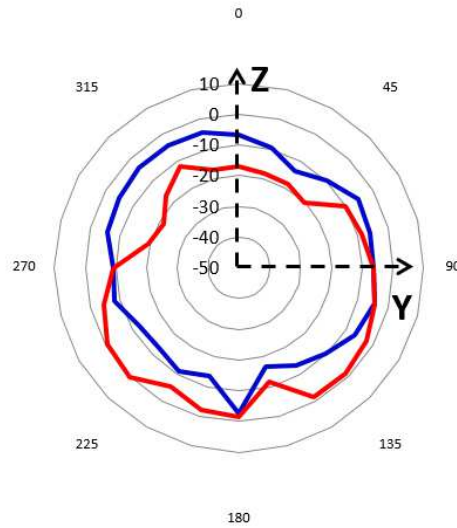
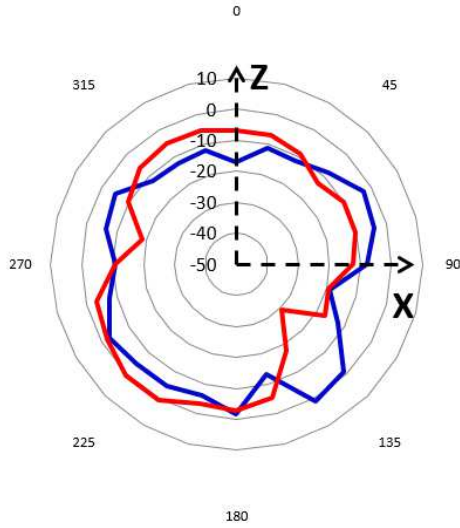


BT Antenna



# Antenna Radiation Pattern – BT antenna

2400MHz



— V-Pol.  
— H-Pol.

2500MHz

