

Vivint Doorbell Camera Pro

(VS-DBC300-WHT)

Quick Reference (User Manual — Installation & Operation)

vivint.
SmartHome™

The Vivint Doorbell Camera Pro can be added to an integrated Vivint Smart Home system, letting the homeowner know whenever a visitor comes to their door, whether that person presses the doorbell button or not, via smart notifications. With the doorbell camera, you can see and speak with the visitor (whether you are inside the home or away) via the control panel and mobile apps. The doorbell camera provides live and recorded video; microphone and speaker for audio/communication capabilities; and an LED light ring on the doorbell button that indicates camera function and status.

Professionally installed by a Vivint technician, the doorbell camera is added to the panel network either via NFC, Wi-Fi Connect, or WPS. Once connected to the system, the doorbell camera can be used in conjunction with other smart home automation devices and features, such as remote door locks, garage door controllers, and light switches.

Other features include: Night vision with IR LEDs; 180° FOV (field of view); Pinch-to-zoom video image; Person-triggered and/or ring notifications; Speaker for two-way talk via the panel or apps.

This document includes a product description, installation and test instructions, basic functionality / user operation overview, as well as technical specifications and regulatory notices and declarations.



Installation Instructions

Installing the Vivint Doorbell Camera Pro (DBC) initially requires some different steps depending on whether or not there is an existing doorbell, but once the power source is set up the procedure is essentially the same. The Vivint technician should carefully read all of these installation steps (and tips) in order to ensure a successful installation and optimal performance. For additional information, refer to the *Field Service Smart Home Pros* website.

Scenario 1: IF there is an existing doorbell: a) Locate the chime box and remove the FRT and TRANS wires from the screw terminals keeping the wires separated, b) Verify the doorbell no longer has power, and c) Detach the doorbell. (NOTE: If there is a wire on the REAR terminal for a working doorbell, remove it and cap it off. Also, if there are multiple chime boxes, you need to locate them and remove their FRT and TRANS wires.)

Scenario 2: IF there is no existing doorbell: a) Consulting with the homeowner, identify the best location to install the doorbell camera and also locate the nearest interior unswitched power outlet, b) Carefully drill a hole for wiring at the mounting location, and c) Run 18/2 wire from the DBC to the power source. (NOTE: If running wire on the wall or floorboard, do not use staples and always encase in wire molding. See Installation Tips below.)

Next, follow these steps to pair and install the camera, and add it to the system:

1. **First, pair the doorbell camera to the panel via NFC.** At the panel, tap on the menu icon (...) in the bottom right corner > tap **Software version** > enter the PIN code **2203** > tap **Smart Home devices** > **Cameras** > and then tap **Add camera**.
2. Tap **NFC** > and then tap **Add**. Align the logo on the front of the DBC with the white light on the panel, and hold it until pairing is complete.
3. **Mount the camera.** Run the wires through the back plate's rubber grommet, and then strip and secure each wire to a screw terminal. Polarity does not matter.
4. Attach the back plate to the wall/doorframe with two screws. Secure the rubber gaskets.
5. If applicable, at the chime box, twist and cap the FRT and TRANS wires together.
6. Place the doorbell unit on the back plate, by first attaching the bottom on to the set screw, and then swinging it up so that it clips securely into the top latch.
7. **Verify power is present at the DBC.** The LED light will illuminate. (See LED descriptions.)
8. Once the doorbell camera has finished booting (wait a few minutes), it will show online. **IMPORTANT:** This process should NOT be interrupted and could take several minutes in order to load firmware and configure settings.
9. Verify that you can view live video at the panel screen and with the app.

INSTALLATION TIPS / BEST PRACTICES:

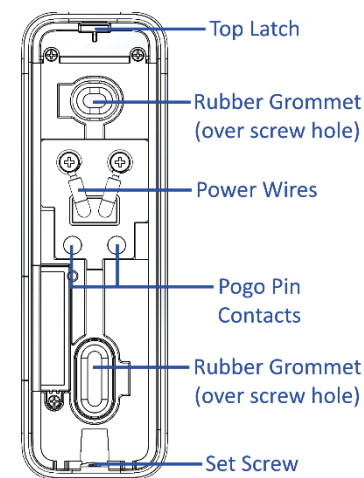
- Push any excess wire back into the wall. No exposed wires. No exterior wire runs.
- If the camera view is blocked, use a spacer to adjust the angle.
- On brick/concrete/stucco/wood/vinyl: Use outdoor-rated screws only. Pre-drill if necessary.
- Do NOT use drywall screws (or any screws that won't sit flush on the back plate).
- Do NOT mount to metal surfaces.
- **NOTE:** Refer to the *Field Service* website for detailed guidelines on replacing an existing doorbell when the power source voltage is not within the 12-24V range.

Operation Overview / User Functionality

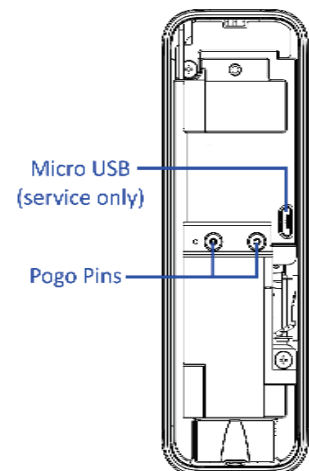
Once the doorbell camera is up and running, the user can perform the following functions — similar to other Vivint connected cameras — at the panel and via the apps. For detailed instructions, refer the homeowner to the online Help resources (articles and video tutorials) at the Vivint Support Site.

- View a live video feed
 - View recorded video clips
 - Receive person-triggered (event) notifications
 - Engage in two-way talk
- For camera management and configuration, at the **Devices > Cameras** settings page, the user can:
- Adjust person detection and video settings (app only)
 - Reboot the camera
 - Delete the camera

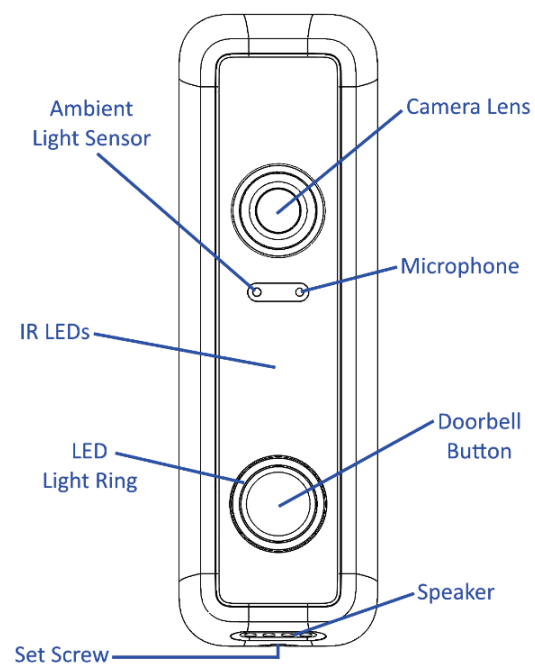
Back Plate (inside) —



Doorbell Unit (inside) —



Doorbell Camera Pro (assembled) —



Technical / Hardware Specifications

| | |
|----------------------------------|---|
| Color | White |
| Weight | 3.8 oz. (approximate, includes camera and back plate) |
| Dimensions | 118 x 37 x 33 mm (4.6 x 1.5 x 1.3 inches) |
| Power Usage | 12-24V AC or DC, 1.0A min. |
| Backup Battery | None |
| Connectivity | WLAN 2.4GHz/5GHz; 802.11 b/g/n/ac; 2x2 MU-MIMO; Bluetooth/BT Low Energy (BLE) 5.0; NFC tag at 13.56 MHz |
| Camera Lens | 5-megapixel sensor |
| Video Max Resolution | 1080p HD |
| FOV (field of view) | 180° diagonal (vertical and horizontal) |
| Night Vision | High-powered IR LEDs (850nm) |
| Audio | Built-in speaker and microphone |
| Environmental Temperature | -4°F to 113°F (-20°C to 45°C) |
| Weatherproofing | Yes (IP33, with UV protection) |

What the LED Colors Mean

The camera doorbell button is highlighted by an LED light ring that displays different colors in order to indicate various functions and status, as described below.

- **Yellow (Breathing)** — Booting up
- **Green (Breathing)** — AP mode, ready to pair/connect
- **Green (Blinking)** — WPS connection in progress (configuration)
- **Green (Fast Blinking)** — WPS connection success
- **Red (Solid)** — WPS connection failure
- **White (Solid)** — Camera online
- **Blue (Solid)** — Two-way talk
- **Blue (Blinking)** — Updating firmware
- **Red & Green (Blinking)** — Factory reset (press and hold)

Troubleshooting Tips

Possible failures with the doorbell camera (DBC) and what to do in order to resolve:

- **DBC is not adding (learning in) —**
 - ✓ Power cycle the DBC
 - ✓ Reset the panel network module
 - ✓ Reboot the panel
- **DBC is offline —**
 - ✓ Verify the DBC is receiving power
 - ✓ Verify the DBC is securely attached
 - ✓ Reset the doorbell camera
- **Doorbell is not ringing —**
 - ✓ Check the volume at the panel
 - ✓ Verify the doorbell chime is enabled
 - ✓ Power cycle the DBC (and the panel next)
- **Two-way talk is not working —**
 - ✓ Make sure the button is being pressed when talking
 - ✓ Verify the network upload speed is sufficient
 - ✓ Power cycle the DBC (and the panel next)

Wireless Product Notice

Wireless communications hardware provides reliable communication; however, there are some limitations which must be observed.

- The transmitters are required to comply with all applicable wireless rules and regulations. As such, they have limited transmitter power and limited range.
- Wireless signals may be blocked by radio signals that occur on or near the wireless operating frequencies.

FCC and ISED Canada Regulatory Compliance Declarations

FCC Interference Statement

This equipment has been tested and found to comply with the limits for a Class B digital device, pursuant to Part 15 of the FCC Rules. These limits are designed to provide reasonable protection against harmful interference in a residential installation. This equipment generates, uses and can radiate radio frequency energy and, if not installed and used in accordance with the instructions, may cause harmful interference to radio communications. However, there is no guarantee that interference will not occur in a particular installation. If this equipment does cause harmful interference to radio or television reception, which can be determined by turning the equipment off and on, the user is encouraged to try to correct the interference by one or more of the following measures:

- Reorient or relocate the receiving antenna.
- Increase the separation between the equipment and receiver.
- Connect the equipment into an outlet on a circuit different from that to which the receiver is connected.
- Consult the dealer or an experienced radio/TV technician for help.

FCC Radiation Exposure Statement

This equipment complies with FCC radiation exposure limits set forth for an uncontrolled environment. This equipment should be installed and operated with minimum distance 20cm between the radiator & your body.

ISED Canada Notice (Avis D'Innovation, Sciences et Développement économique Canada)

Conformément à la réglementation d'Industrie Canada, le présent émetteur radio peut fonctionner avec une antenne d'un type et d'un gain maximal (ou inférieur) approuvé pour l'émetteur par Industrie Canada. Dans le but de réduire les risques de brouillage radioélectrique à l'intention des autres utilisateurs, il faut choisir le type d'antenne et son gain de sorte que la puissance isotrope rayonnée équivalente (p.i.r.e.) ne dépasse pas l'intensité nécessaire à l'établissement d'une communication satisfaisante.

Le présent appareil est conforme aux CNR d'Industrie Canada applicables aux appareils radio exempts de licence. L'exploitation est autorisée aux deux conditions suivantes:

1. l'appareil ne doit pas produire de brouillage, et
 2. l'utilisateur de l'appareil doit accepter tout brouillage radioélectrique subi, même si le brouillage est susceptible d'en compromettre le fonctionnement.
- Ces limites sont conçues pour fournir une protection raisonnable contre les interférences nuisibles dans une installation résidentielle. Cet équipement génère, utilise et peut émettre une énergie de radiofréquence et, s'il n'est pas installé et utilisé conformément à ux instructions, il peut causer des interférences nuisibles aux communications radio. Cependant, il n'existe aucune garantie que des interférences ne se produiront pas dans une installation particulière. Si cet équipement provoque des interférences nuisibles à la réception radio ou télévision, ce qui peut être déterminé en mettant l'équipement hors et sous tension, l'utilisateur est encouragé à essayer de corriger l'interférence par une ou plusieurs des mesures suivantes:

- Réorienter ou déplacer l'antenne de réception.
- Augmentez la distance entre l'équipement et le récepteur.
- Connecter l'équipement à une sortie sur un circuit différent de celui sur lequel le récepteur est branché.
- Consulter le revendeur ou un technicien radio / télévision expérimenté pour de l'aide.

ISED Radiation Exposure Statement:

This equipment complies with ISED RSS-102 radiation exposure limits set forth for an uncontrolled environment. This equipment should be installed and operated with minimum distance 20cm between the radiator & your body. Cet équipement est conforme aux limites d'exposition aux rayonnements ISED établies pour un environnement non contrôlé. Cet équipement doit être installé et utilisé avec un minimum de 20cm de distance entre la source de rayonnement et votre corps.

The transmitter module may not be co-located with any other transmitter or antenna. Le module émetteur peut ne pas être coimplanté avec un autre émetteur ou antenne.

The Country Code Selection feature is disabled for products marketed in the US/Canada.

For product available in the USA/Canada market, only channel 1~11 can be operated. Selection of other channels is not possible. Pour les produits disponibles aux États-Unis / Canada du marché, seul le canal 1 à 11 peuvent être exploités. Sélection d'autres canaux n'est pas possible.

FCC ID: 2AAAS-CM09
IC: 10941A-CM09

complete regulatory compliance information, go to: vivint.com/fcc

FCC Caution: Any changes or modifications not expressly approved by the party responsible for compliance could void the user's authority to operate this equipment.

This device complies with Part 15 of the FCC Rules. Operation is subject to the following two conditions: (1) This device may not cause harmful interference, and (2) this device must accept any interference received, including interference that may cause undesired operation.

This device contains licence-exempt transmitter(s)/receiver(s) that comply with Innovation, Science and Economic Development Canada's licence-exempt RSS(s). Operation is subject to the following two conditions:

1. This device may not cause interference.
2. This device must accept any interference, including interference that may cause undesired operation of the device.