

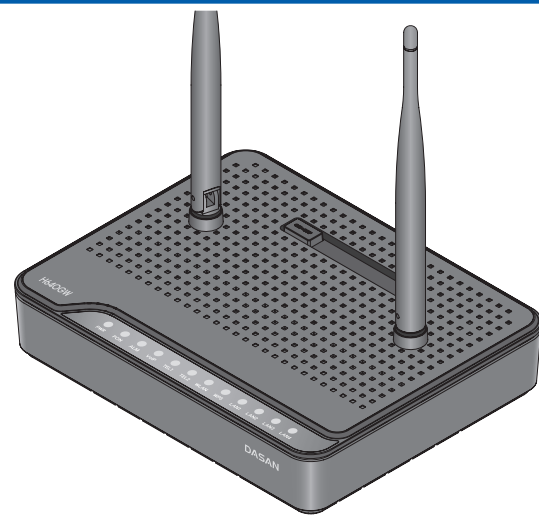
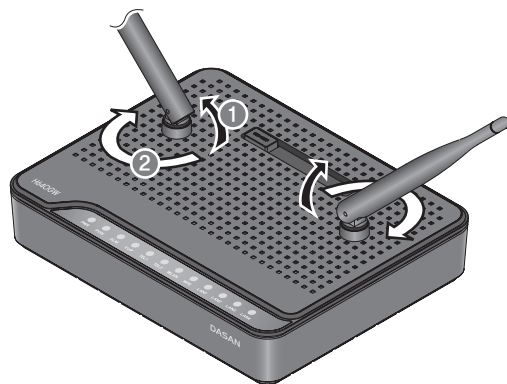
## 4. Initial Web Access

You can access H640GW through a web browser by using the **initial LAN IP** at first. The detail procedure is as follows:

- 1 Connect **LAN1** port of H640GW to your PC using Ethernet cable.
- 2 Configure an IP address of your PC to **192.168.1.1~254** (except 192.168.1.100).
- 3 Open a web browser, and enter **http://192.168.1.100:8080** in a URL field.
- 4 Type **"user/user"** in user name/password field, and log into the system. Initial page is displayed.

### TIP for Better Wireless Communication

You can make antennas oblique outside or inside the body by tilting (●) and rotating (●) them for better wireless communication as like the figure below.



## H640GW QIG (Quick Guide)

V3

### GPON Optical Network Terminal (ONT) with VoIP & Wi-Fi

Information furnished by DASAN Networks USA, Inc. is believed to be accurate and reliable. However, no responsibility is assumed by DASAN Networks for its use, nor for any infringements of patents or other rights of third parties which may result from its use. No license is granted by implication or otherwise under any patent or patent rights of DASAN Networks. DASAN Networks reserves the rights to change specifications at any time without notice.

Copyright © 2013 by DASAN Networks USA, Inc. All rights reserved.

DASAN Networks USA, Inc.

www.dasannetworksus.com

## 1. Caution

- This unit is indoor use and all the communication wirings are limited to inside of the building.
- Never look directly at the fiber TX port and fiber cable ends when they are powered on.
- DO NOT use near water.
- DO NOT place near high temperature source.
- DO NOT disassemble the unit.
- DO NOT operate the unit in a location where the maximum ambient temperature exceeds 104°F.
- Open optical connections must use a protective cap under all circumstances to protect against physical damage and dirt.
- Avoid impact stresses when handling connectors. Physical damage to the faces of optical connections impairs transmission quality (higher attenuation).
- Avoid a bend radius in excess of 1.18 in for fiber optic links.
- Check the available voltage supply.
- Only connect approved accessories.
- It may only be repaired by authorized service personnel.

### FCC Certification Requirements

#### • Caution

Any changed or modifications not expressly approved by the party responsible for compliance could void the user's authority to operate this equipment.

#### • FCC RF exposure requirements

The antenna used with this module must be installed to provide a separation distance of at least 20cm from all persons, and must not transmit simultaneously with any other antenna or transmitter except in accordance with FCC multi-transmitter product procedures.

#### • User Information

This device complies with Part 15 of the FCC's Rule. Operation is subject to the following to conditions;

1. This device may not cause harmful interference, and
2. This device must accept any interference received, including interference that may cause undesirable operation.

This equipment has been tested and found to comply with the limits for a Class B digital device, pursuant to part 15 of the FCC Rules. These limits are designed to provide reasonable protection against harmful interference in a residential installation. This equipment generates, uses and can radiate radio frequency energy and, if not installed and used in accordance with the instructions, may cause harmful interference to radio or television reception, which can be determined by turning the equipment off and on, the user is encouraged to try to correct the interference by one or more of the following measures:

- Reorient or relocate the receiving antenna.
- Increase the separation between the equipment and receiver.
- Connect the equipment into an outlet on a circuit different from that to which the receiver is connected.
- Consult the dealer or an experienced radio/TV technician for help.

- 1 -

## 2. Introduction

### 2.1 Package Contents

- H640GW
- RJ45 UTP Cable
- Power Adapter
- QIG (Quick Guide)

### 2.2 Specification

Item	Specification
System Memory	128MB DDR3
Flash Memory	128MB Nand Flash
Uplink Interface	1 GPON port (SC/APC)
Service Interface	4 10/100/1000Base-T ports (RJ45)
VoIP Interface	2 FXS ports (RJ11)
Wireless	IEEE 802.11b/g/n compliant Bandwidth: 2.4GHz Two Transmit and Two Receive path (2T2R) Max. data rate: 54Mbps in 802.11g 300Mbps in 802.11n Security: WEP, WPA-PSK (TKIP) & WPA2-PSK (AES)
LED	PWR, PON, ALM, VoIP, TEL1~2, WLAN, WPS*, LAN1~4
Power	Power port: AC/DC adapter, 12VDC/1.5A BBU port: For Battery Backup Unit
Operating Temp.	32 to 104°F (0 to 40°C)
Humidity	5 to 90% (non-condensing)
Dimensions (W x D x H)	7.48 x 5.90 x 2.44 in (190 x 150 x 62 mm) (including folded antenna)
Button	On/Off power, WLAN, WPS*, RESET

\* Wi-Fi Protected Setup, a standard that attempts to automate secure wireless network set up and connection

- 2 -

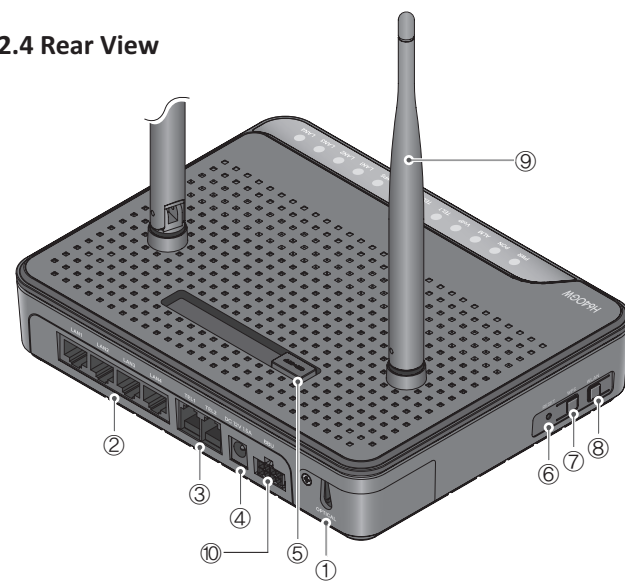
### 2.3 Front View (LEDs)



Label	Light	Status	Description
PWR	Green	On	The system is turned on.
		Off	The system is turned off.
PON	Green	On	Register OK. The GPON port link is up.
		Off	Not registered. The GPON port link is down.
ALM	Red	On	No optical signal
		Off	Optical signal detected
VoIP	Green	On	Register OK
		Off	Not registered
TEL 1~2	Green	On	Off-hook
		Off	On-hook
WLAN	Green	On	Wireless function enabled
		Off	Wireless function disabled
WPS	Green	Blink	In progress
		On	Success (for 5 seconds)
		Off	Disabled or process finished
LAN 1~4 (LNK/ACT)	Green	On	The 1G port link is up.
		Blink	The 1G transmit or receive activity is present on the service port.
	Orange	On	The 100M port link is up.
		Blink	The 100M transmit or receive activity is present on the service port.
Off	Link down		

- 3 -

### 2.4 Rear View



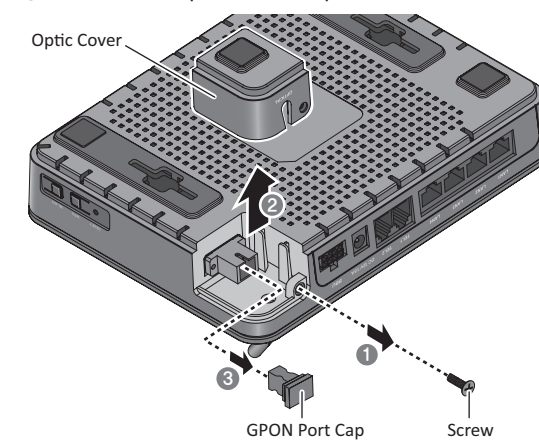
Item	Description
① OPTICAL	Connect the network.
② LAN1~4	Connect PC or LAN.
③ TEL1~2	Connect telephone.
④ POWER	Connect power adapter.
⑤ ON/OFF	Turn on/off the unit.
⑥ RESET	Reboot the unit.
⑦ WPS	Enable WPS process.
⑧ WLAN	Enable wireless function.
⑨ Antenna	Transmit and receive wireless packets.
⑩ BBU	Connect Battery Backup Unit.

- 4 -

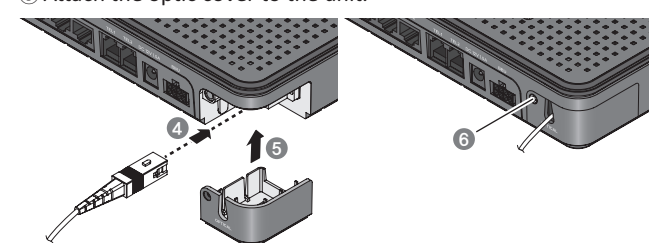
## 3. Installation

### 3.1 Connecting to Network (through GPON port)

- 1 Loosen the screw from the optic cover.
- 2 Pull the optic cover out from the body.
- 3 Remove the cap from GPON port.



- 4 Plug in the optic cable (SC/APC-connectorized) to connect the ONT to the network (OLT).
- 5 Attach the optic cover to the unit.

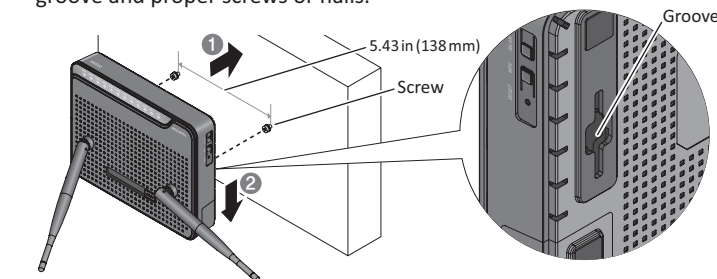


- 6 Tighten the screw on the optic cover.

- 5 -

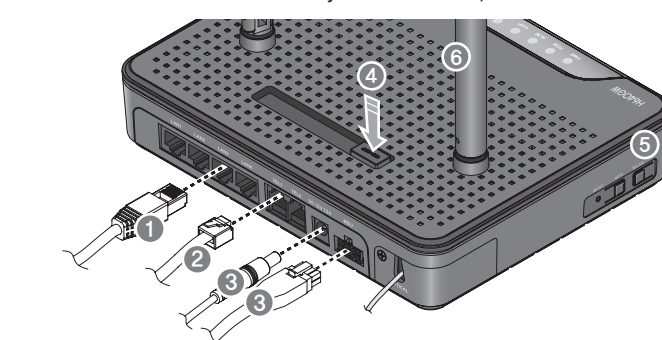
### 3.2 Mounting on a Wall

If necessary, you may have your ONT mounted on a wall using mounting groove and proper screws or nails.



### 3.3 Connecting Ethernet/VoIP/Power and Enabling WLAN

- 1 Plug the Ethernet cable from LAN port to PC.
- 2 Plug the phone cable from TEL port to telephone.
- 3 Connect the power adapter from power port to a live AC outlet. If necessary, connect a battery backup unit to BBU port instead.
- 4 Turn on the unit by pushing the power switch.
- 5 Push WLAN button to enable WLAN.
- 6 Adjust antenna direction for better wireless communication. For information of how to adjust the antenna, see TIP on the last page.



- 6 -