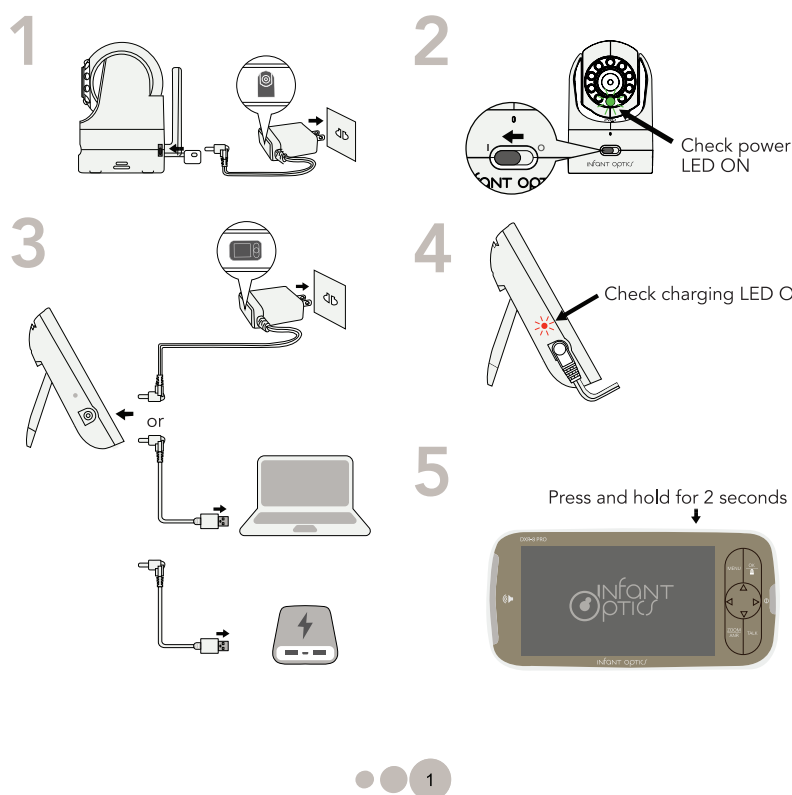


DXR-8 PRO

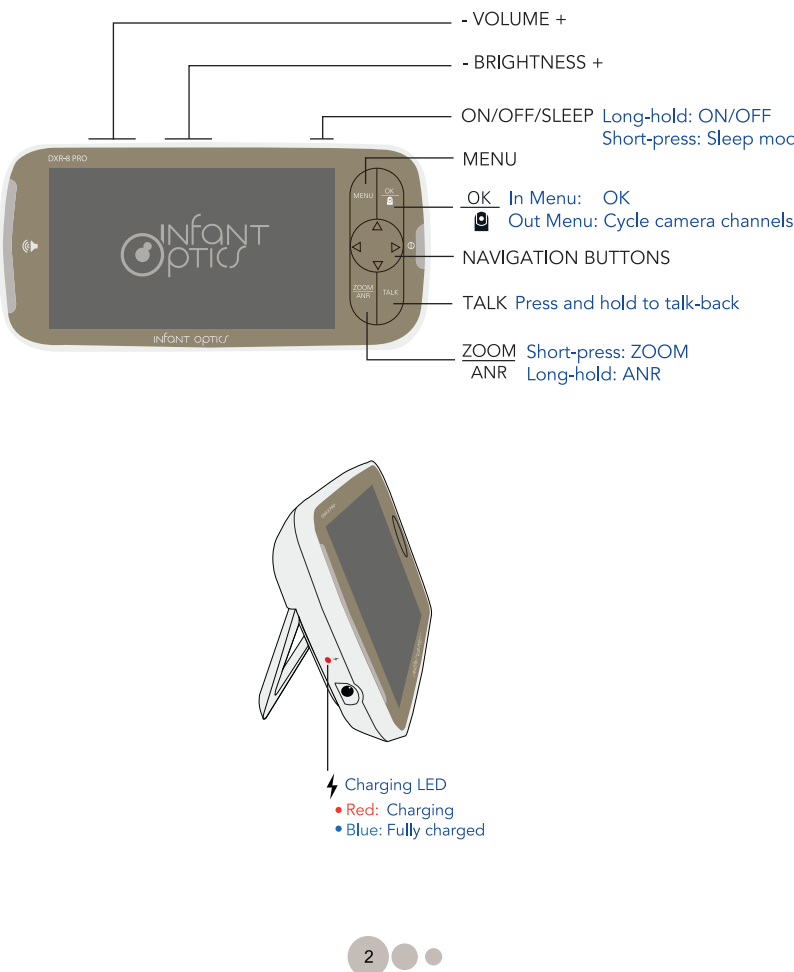
Wireless Digital Video
Monitoring System

User Manual

Quick Start 1



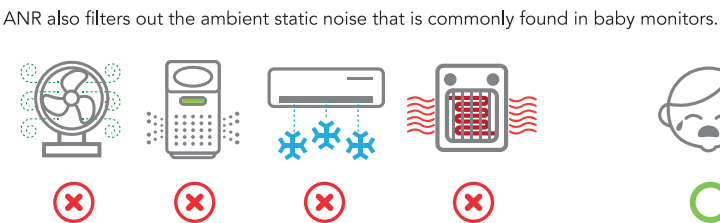
Quick Start 2



ANR Explained

How it works
The DXR-8 PRO is fitted with a sound processing chipset that detects repetitive sound waves in background audio and reduces it, allowing you to hear sounds made by your baby to be more pronounced. ANR works best with appliances that emit a repetitive/constant droning sound.

- Intended purpose**
Activate ANR to filter out background noise from appliances such as:
- Fans
 - Air purifiers
 - Air conditioners
 - Humidifiers
 - Heaters
 - Mechanical white noise machines



Usage with sound machines
Results may vary with certain sound machines. Some soundtracks from digital sound machines are non-repeating sound waves. This may result in the background noise to be distorted. If the sound machine is very loud or very close to the camera unit, the effects will be more pronounced. Sounds made by your baby (such as crying, talking, muzzling, or shuffling in the bedsheet) are not affected. If background noises sound distorted with ANR activated, please contact our ANR Experts at ANR@infantoptics.com.

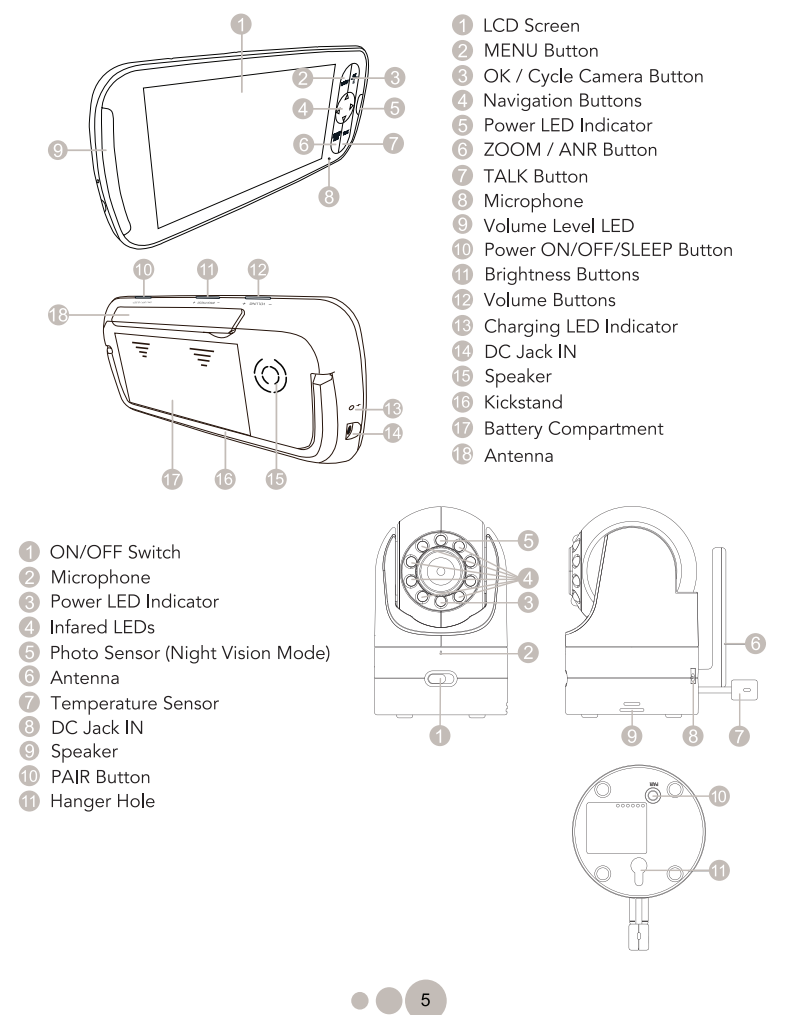


To learn more, visit www.infantoptics.com/ANR

Status Bar



Product Diagram



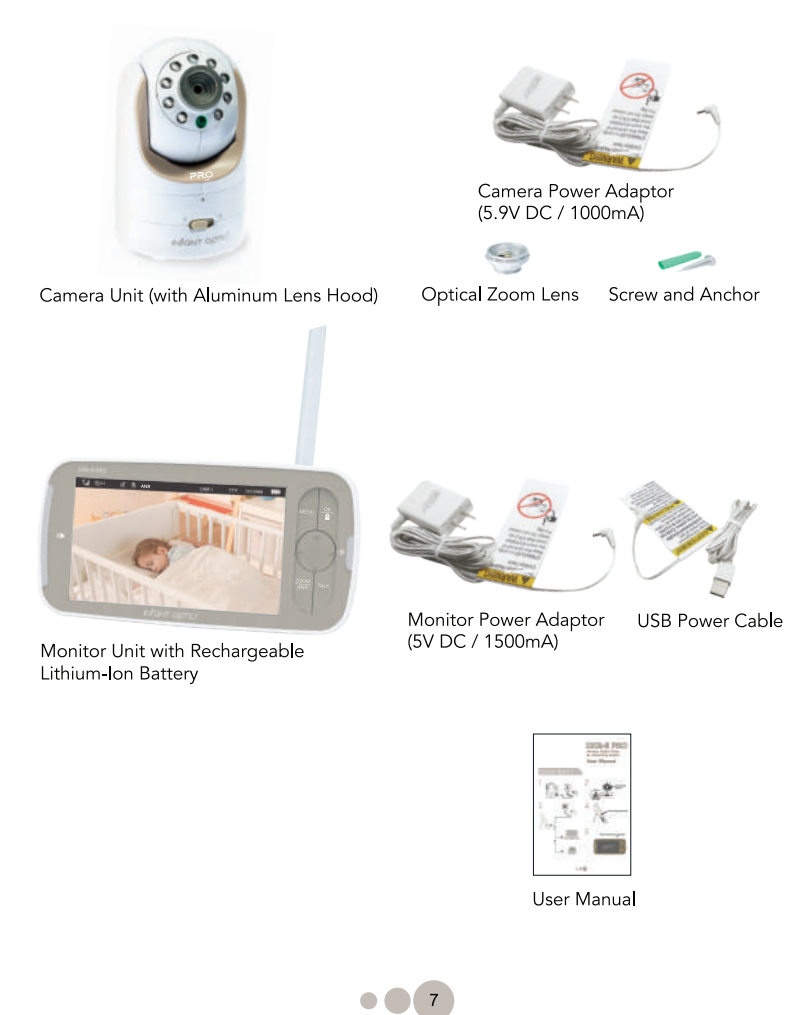
Lens Type

Lens Type	Images	Description
Aluminum Lens Hood (default out of box)		Aluminum lens hood cover to protect the camera lens. No special video effects. Recommended for normal settings.
Optical Zoom Lens		Telephoto lens zooms inward, resulting in objects appearing closer while enhancing the detail of objects at further distances. Recommended when the Camera Unit is a greater distance away from the crib.
Optical Wide Angle Lens (sold separately)		Zooms image outwards, allowing greater peripheral vision. Provides wide angle vision. Results in slight distortion and reduced clarity. Recommended for room activity surveillance.

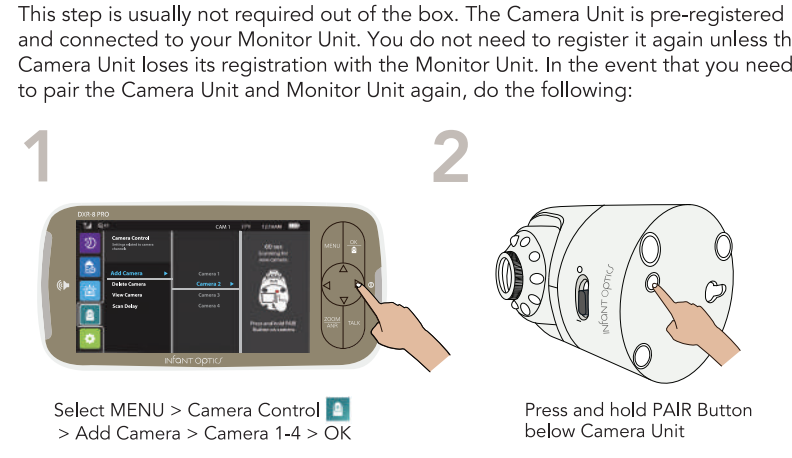
WARNING: STRANGULATION HAZARD
STRANGULATION HAZARD - Children have STRANGLED in cords. Keep this cord out of the children (keep at least 3 ft (0.9m) away).

CHOKING HAZARD
The Optical Lens (and Lens Hood) are small parts. Keep the Camera Unit away from the baby's reach at all times.

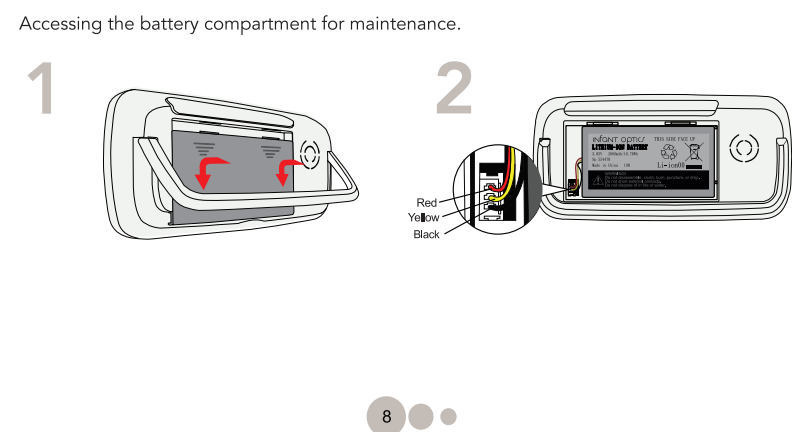
What's Included



Pairing



Battery Access



Specifications

Systems General
RF Frequency: 2400 MHz - 2483.5 MHz
Type of Modulation: QPSK
Type of Spread Spectrum: FHSS
Selectable Camera Channels: 4
Transmission Range: up to 1000 feet (line of sight, no obstructions)

Camera Unit
Input Voltage: 100-240VAC @ 50/60Hz
Operating Voltage: 5.9V, 1000mA
IR/Night Vision: 8 IR LEDs, 1 Low light sensor
Operating Temperature: 0°C (32°F) to +50°C (122°F)
Power Adapter: Input: 100-240VAC, 50/60Hz 200mA; Output: 5.9V, 1000mA
Exposure Control: Auto
White Balance Control: Auto
Vertical Turning Angle: 95° UP, 25° DOWN
Horizontal Turning Angle: 135° both left and right

Monitor Unit
Input Voltage: 100-240VAC @ 50/60Hz
Operating Voltage: 5.0V, 1.5A
Resolution (Pixel): 1280x720
Battery: 2800mAh Li-ion 3.85V rechargeable battery
LCD Display: 5" TFT color display at 1280 x 720 RGB colors
Power Adapter: Input: 100-240VAC, 50/60Hz 200mA; Output: 5.0V, 1.5A
Duration (Standby Mode): 10 Hours
Duration (Screen ON): 6 Hours
Time to full charge: 7 Hours

Safety Instructions

WARNINGS:

- STRANGULATION HAZARD** – Children have STRANGLED in cords. Keep this cord out of the reach of children (keep at least 3 ft (0.9m) away).
- NEVER PLACE THE CAMERA OR CORD IN OR NEAR THE CRIB OR PLAYPEN.**
- Secure the cord at least three feet away from the crib or playpen.
- CHOKING HAZARD** – This product contains small parts which may cause choking, including the Optical Lens and Lens Hood.
- SHOCK WARNING** – To prevent electric shock, NEVER use the Camera or Monitor near water, including near a bathtub, sink, laundry tub, wet basement, etc.
- CAUTION** – Only insert a battery pack of the same type. There is a risk of explosion if the battery is replaced with an incorrect type.
- Use only the power adapters provided.
- Adult assembly is required. Keep small parts away from children when assembling.
- This product is not a toy. Do not allow children to play with it.
- This product is NOT intended to replace the proper adult supervision of children.
- You MUST check your child's activity regularly, as this product will not alert parents to any silent activities of the child.
- Before using this product, read and follow all instructions and warnings contained in this User Manual.
- This product is intended for indoor use only.
- This product is not intended for use as a medical monitor and its use should not replace adult supervision.
- Test the monitor before use and after changing the camera's location. Check reception regularly. Obstacles, such as concrete walls, may shorten the wireless signal transfer range.
- Always unplug power adapters from wall outlets and power sources during periods of non-use.
- Do not touch the plug contacts with sharp or metal objects.
- Do not allow water damage to the monitor unit, charging port, or charging cable, which causes the overheating of the charging components.

Safety Instructions

- Do not use unofficial third-party charging cables to charge the device. This may result in the overheating of the charging port. Only use the charging cables provided in the box.
- Do not use unofficial third-party power adapters, especially high wattage adapters. This may result in the overheating of the cable and/or charging port. Only use the adapter provided in the box.

BATTERY WARNING:
Rechargeable Li-ion Battery

- Do not open, puncture, crush, or drop the battery. A damaged battery must not be used. This can result in a higher risk of fire, explosion, overheating, and leaking of electrolytes.
- Do not short external contacts.
- If any electrolytes should come into contact with your hands or clothes, wash them thoroughly with water.
- If any electrolytes should come into contact with your eyes, never rub your eyes. Rinse your eyes thoroughly with water and then consult a doctor.

CAUTION:

- Use only the original rechargeable battery provided. Please contact Infant Optics for a replacement battery.
- Insert the battery correctly.
- Do not leave the battery in an automobile exposed to direct sunlight for a long period of time with the doors and windows closed.
- Remove the battery if you do not use the product for a long period of time. Keep it in a cool and dark area.
- Do not replace the battery with wet hands. There is a risk of explosion if the battery is replaced with an incorrect type. Dispose of the used battery according to local regulations.
- Stop using the battery immediately and keep away from fire if it emits an abnormal smell or leaks electrolytes. Released electrolytes may cause fire or burns.
- Exercise care when handling the batteries. Do not allow conductive materials such as rings, bracelets, or keys to touch the batteries, otherwise a short circuit may cause the batteries and/or the conductive material to overheat and cause burns.
- Do not put any conductive materials such as coins or hairpins onto the battery terminals. This can result in overheating.
- Charge the battery provided with, or identified for use with this product, only in accordance with the instructions and limitations specified in this manual.

Troubleshooting

Camera Unit does not switch on

- Ensure that the Camera Unit is ON (Power LED indicator shows a green light).
- Ensure the Camera Power Adapter is properly connected.
- There may be no power from the outlet. Switch to another electrical outlet.

Monitor Unit does not switch on

- The battery may not be securely connected inside the battery compartment. Reconnect the battery and ensure that the tab is firmly plugged into the slot.
- The battery may be depleted. Recharge or replace the battery.
- Ensure that the power button is pressed and held for at least 4 seconds.

Camera Unit loses link with Monitor Unit

- If the Camera Unit is too far away with low reception, move the Camera Unit closer to the Monitor Unit.
- Reset both units by disconnecting them from both battery and electrical power. Wait about 15 seconds, then reconnect.
- Large metallic objects, including doors, refrigerators, mirrors, filing cabinets, and reinforced concrete, may block the radio signal between the Camera Unit and Monitor Unit.
- The signal strength may be reduced when in close proximity to radio or electrical equipment, such as TVs, computers, cordless or mobile phones, fluorescent lights, or dimmer switches.
- Use of other 2.4GHz products, such as wireless networks (WiFi routers), Bluetooth systems, or microwave ovens, may cause interference with this product. Keep the Camera and Monitor Unit at least 5 ft (1.5m) away from these items, or turn them off if they appear to cause interference.
- Pair the Camera Unit under a different channel.

No picture from Camera Unit

- Ensure that the Camera and Monitor Unit are both ON.
- The Camera Unit has not been registered to the Monitor Unit. Register the Camera Unit.

No sound from Monitor Unit

- Volume setting may be too low. Adjust to a higher setting.

Picture is black and white

- Night vision LED may be ON. Night vision mode operates in black and white.
- Turn on room lights to force the monitor out of night vision mode.

Troubleshooting

The picture playback is not smooth (choppy video with low frame rate)

- The Camera and Monitor Unit may be too far apart.
- Ensure that both the Monitor and Camera Unit remain at least three feet away from any routers or 2.4GHz Wi-Fi devices such as smartphones and tablets. Users may forget that they have a smartphone in their pocket when using the Monitor Unit, or may place the Monitor Unit close to their smartphone on a bedside table at night. Maintaining distance between the Monitor Unit and Wi-Fi devices minimizes interference.
- Ensure that no 2.4GHz devices are located between the direct line of communication of the Monitor and Camera Unit. For example, ensure that there is no smartphone between the Monitor Unit and the Camera Unit (regardless of the room in which the devices are placed).
- If the Monitor and Camera Unit are located on the same floor, position the antenna in the upright position. If the Monitor and Camera Unit are on different floors (e.g. in a two-story house), position the antenna in the horizontal position.
- Change the Wi-Fi channel setting on your router. As per the instruction manual of your router, change the "Channel" from "Automatic" to "Channel 1" in "Settings". If "Channel 1" does not work, try other channels.
- There may be interference with your Wi-Fi network, such as slow download speeds. Try positioning the Monitor and Camera Unit as far away from your router as possible. Avoid placing your router between the Camera Unit and the Monitor Unit.

Camera Unit power LED changes brightness

- This is normal. The Power LED indicator is set to dim when in the dark and brighten when ambient light is detected.

Noise (static, beeping)

- Battery power may be too low; recharge or replace the battery.
- Possible alarm ring alert.
- Possible out of signal alert.

Noise interference on Monitor Unit

- Volume setting may be too high. Adjust to a lower setting.
- The Camera and Monitor Unit may be too close. Move them further apart.
- The Camera Unit may be too far away and out of range. Move the Camera Unit closer to the Monitor Unit.
- Ensure the Camera and Monitor Unit are placed away from other electrical equipment, such as a television, computer, or cordless/mobile telephone.

Troubleshooting

Battery will not charge or there is no charge light

- Try the included spare charging cable.
- The battery may not be securely connected inside the battery compartment. Reconnect the battery and ensure that the tab is firmly plugged into the slot.
- The battery may be depleted. Recharge or replace the battery.

Temperature reading is not accurate

- Move the sensor further away from the Camera Unit.
- Ensure adequate airflow around the Camera Unit.
- Avoid placing the Camera Unit near a structure that radiates heat, such as a window or wall.
- Avoid placing the unit near heaters, air conditioning vents, and heat producing appliances such as lights.
- Move the Camera Unit to a lower altitude to avoid heat that rises to the ceiling.

Pairing failed

- Ensure that the Power Adapter is connected to the Camera Unit.
- Ensure that the Camera Unit is turned ON (Power LED indicator shows a green light).
- Ensure the PAIR Button is long pressed until the Power LED starts blinking rapidly.
- Try pairing to another CAM channel.

Video not clear with stagnant spots/marks on the screen

- The optical lens could be dirty. Smudges and dust on the optical lens can diminish sharpness and reduce video quality. Remove smudges and dust on the lens by using a microfibre cloth or a piece of lens tissue to wipe the lens surface in a circular motion.

If the above troubleshooting guide did not help you solve your problem, contact customer service. Our toll-free number and customer service email address are located in the back of this User Manual.

FCC Regulations

This equipment has been tested and found to comply with the limits for a Class B digital device under Part 15 of the Federal Communications Commission rules. These limits are designed to provide reasonable protection against harmful interference in a residential installation. This equipment generates, uses, and can radiate radio frequency energy and, if not installed and used in accordance with the instructions, may cause harmful interference to radio communications. However, there is no guarantee that interference will not occur in a particular installation. If this equipment does cause harmful interference to radio or television reception, which can be determined by turning the equipment off and on, the user is encouraged to try to correct the interference through one or more of the following measures:

- Reorient or relocate the receiving antenna.
- Increase the separation between the equipment and receiver.
- Connect the equipment to an outlet on a circuit different from that to which the receiver is connected.
- Consult the dealer or an experienced radio/TV technician for help.

Changes or modifications not expressly approved by the party responsible could void the user's authority to operate this device. This device complies with part 15 of the FCC Rules. Operation is subject to the following two conditions:

- This device may not cause harmful interference, and
- This device must accept any interference received, including interference that may cause undesired operation.

This equipment complies with FCC radiation exposure limits set forth for an uncontrolled environment. The end user must follow the specific operating instructions for satisfying FCC RF exposure compliance. This transmitter must not be co-located or operating in conjunction with any other antenna or transmitter.

The Monitor Unit is designed to meet the requirements for exposure to radio waves established by the Federal Communications Commission (USA). These requirements set a SAR limit of 1.6 W/kg averaged over one gram of tissue. The highest SAR value reported under this standard during product certification for use when properly worn on the body is 0.619W/kg.

For body operation, this device has been tested and meets FCC RF exposure guidelines when used with any accessory that contains no metal and that positions a minimum of 20cm between the radiator & your body. This transmitter must not be co-located or operating in conjunction with any other antenna or transmitter.

This Camera Unit complies with FCC radiation exposure limits set forth for an uncontrolled environment. This equipment should be installed and operated with a minimum distance of 20cm between the radiator & your body. This transmitter must not be co-located or operating in conjunction with any other antenna or transmitter.

Do not use excess water or cleaning solvents of any kind.

Warranty Information

We warrant to the original user that this product shall be free from all defects in material or workmanship for one year from the date of purchase. This warranty does not apply to any product that has been subject to abuse, misuse, negligence or accident, nor does it apply to any batteries that may be supplied with the product. Defects caused by tampering, unauthorized alterations or repairs are not covered by this warranty. We may elect to replace the entire unit, at no extra cost to you, with the same model or a similar model rather than repair it. If a defect covered by this warranty should occur, email us with a scanned copy of your original receipt and a brief explanation of the problem, failing which Infant Optics will not perform any of its obligations under this warranty. Our service representative will provide you with an address of our closest office/warehouse to where you live, together with a return authorization number. To return the item, you must use the original packaging or the equivalent, and you must pay postage.

This limited warranty is valid only in the United States and applies only when this product is used in the United States.

OUTSIDE US: This warranty does NOT apply to, and Infant Optics is not responsible for, any warranty claims made on products sold or used outside the United States.

TOLL-FREE CUSTOMER SUPPORT
1-800-291-0195

DEDICATED CUSTOMER SUPPORT EMAIL
info@infantoptics.com

We aim to reply to all inquiries within 24 hours.

This warranty gives you specific legal rights, and you may have other legal rights that vary from state to state.

This Camera Unit complies with FCC radiation exposure limits set forth for an uncontrolled environment. This equipment should be installed and operated with a minimum distance of 20cm between the radiator & your body. This transmitter must not be co-located or operating in conjunction with any other antenna or transmitter.

© 2023 Infant Optics
www.infantoptics.com
All rights reserved.