

GARAGE DOOR OPENER

Models 9357·9367

For Residential Use Only

Owner's Manual

- Please read this manual and the enclosed safety materials carefully!
- Fasten the manual near the garage door after installation.
- The door WILL NOT CLOSE unless The safety is connected and properly aligned.
- Periodic checks of the opener are required to ensure safe operation.
- The model number label is located on the left side panel of your opener

www.seaside.net.cn DALIAN SEASIDE DOOR CONTROLLING SYSTEM CO., LTD.

TABLE OF CONTENTS

Introduction	2-6
Assembly	7-9
Installation	10-18
Install The Wall Control	19-20
Install The Photo Eye Safety System	21-22
Power	23-24
Adjustments	24-28
Operation	29
Wall Control	30
Remote Control	30
To Erase the Memory	30
To Open the Door Manually	31
Maintenance	31
Repair Parts	32-33
Troubleshooting	34

INTRODUCTION

Safety Symbol and Signal Word Review

This garage door opener has been designed and tested to offer safe service provided it is installed, operated, maintained and tested in strict accordance with the instructions and warnings contained in this manual.

When you see these Safety Symbols and Signal Words on the following pages, they will alert you to the possibility of **serious injury or death** if you do not comply with the warnings that accompany them. The hazard may come from something or from electric shock. Read the warnings carefully.



Mechanical



Electrical

When you see this Signal Word on the following pages, it will alert you to the possibility of damage to your garage door and/or the garage door opener if you do not comply with the cautionary statements that accompany it. Read them carefully.



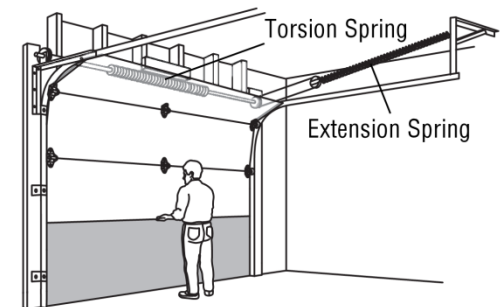
Check your garage door

- 1 Disable locks and remove any ropes connected to the garage door.
- 2 Lift the door halfway up. Release the door. If balanced, it should stay in place, supported entirely by its springs.
- 3 Raise and lower the door to check for binding or sticking. If your door binds, sticks, or is out of balance, call a trained door systems technician.
- 4 Check the seal on the bottom of the door. Any gap between the floor and the bottom of the door must not exceed 1/4 inch (6 mm). Otherwise, the safety reversal system may not work properly.
- 5 The opener should be installed above the center of the door. If there is a torsion spring or center bearing plate in the way of the header bracket, it may be installed within 4 feet (1.2 m) to the left or right of the door center. See Installing the Header Bracket section.

<p>To prevent possible SERIOUS INJURY or DEATH:</p> <ul style="list-style-type: none">• ALWAYS call a trained door systems technician if garage door binds, sticks, or is out of balance. An unbalanced garage door may not reverse when required.• NEVER try to loosen, move or adjust garage door, door springs, cables, pulleys, brackets or their hardware, ALL of which are under EXTREME tension.• Disable ALL locks and remove ALL ropes connected to

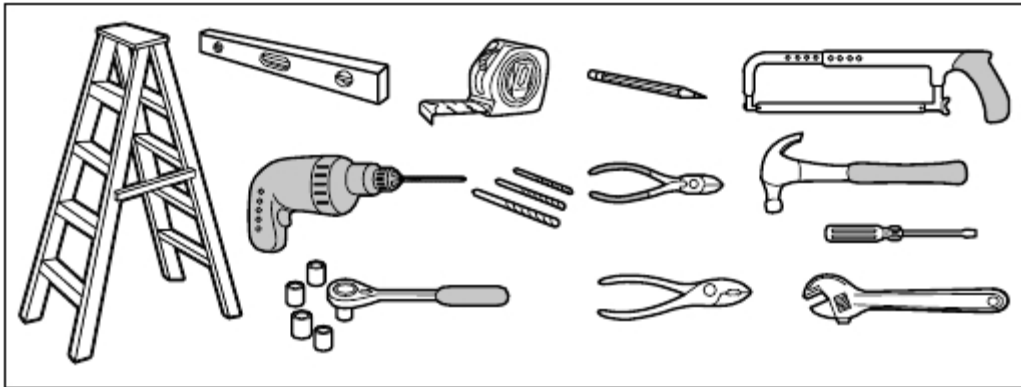
<p>To reduce the risk of injury to persons</p> <p>Use this operator only with Sectional Door.</p>

CAUTION
<p>To prevent damage to garage door and opener:</p> <ul style="list-style-type: none">• ALWAYS disable locks BEFORE installing and operating the opener.• ONLY operate garage door opener at 120V, 60 Hz to avoid malfunction and damage.



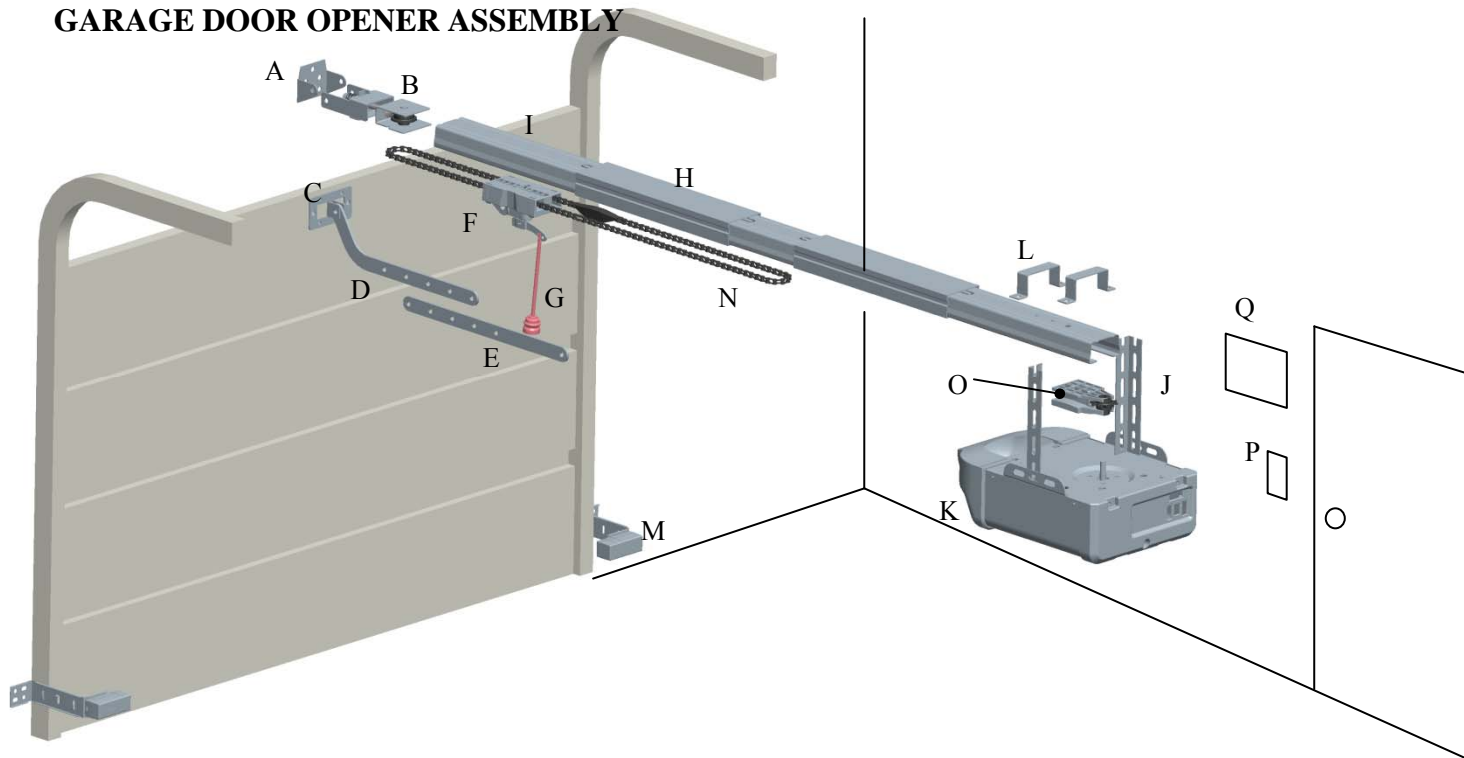
Tools needed

During assembly, installation and adjustment of the opener, instructions will call for hand tools as illustrated below.



Overview/Carton Inventory

GARAGE DOOR OPENER ASSEMBLY



- A.** Header bracket
- B.** Pulley assembly
- C.** Door bracket
- D.** Curved door arm
- E.** Straight door arm
- F.** Trolley assembly
- G.** Emergency release rope and handle
- H.** Rail
- I.** Rail Connectors(2)
- J.** Hanging brackets (2)
- K.** Garage door opener
- L.** “U” rail clips (3)
- M.** Safety reversing sensors
- N.** Chain
- O.** Sprocket and sprocket holder assembly
- P.** Wall Control Panel
- Q.** Safety labels and literature

Overview/Carton Inventory

ASSEMBLY HARDWARE

H1 Clevis Pin, long
Φ8×80 (1)



H2 Clevis Pin,short
Φ8×30 (2)



H3 Hex Nut
M8(4)



H4 Hex Bolt M8×20(4)



H5 Cotter Φ2×25(3)



H6 Screw M5×20(2)



H7 Lag Screw M8×40 (4)



H8 Self-Threading Screw (2)



Overview/Carton Inventory

INCLUDED ACCESSORIES

Wall Control Panel



Remote Control



NOTE: Accessories will vary depending on the garage door opener model purchased. Depending on your specific model, other accessories may be included with your garage door opener. The instructions for these accessories will be attached to the accessory and are not included in this manual. The images throughout this manual are for reference and your product may look different.

Wall Control Hardware

Drywall Anchors (2)



Screw M4×30 (2)



ASSEMBLY

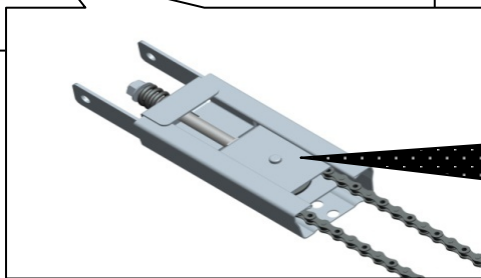
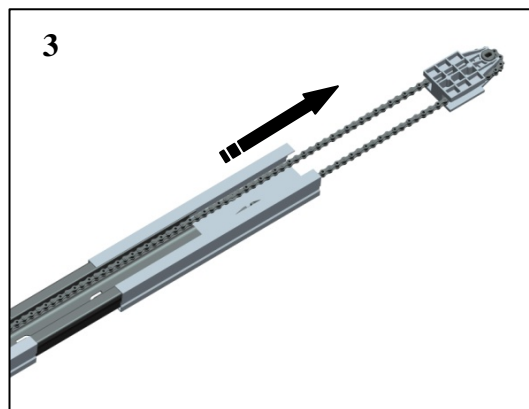
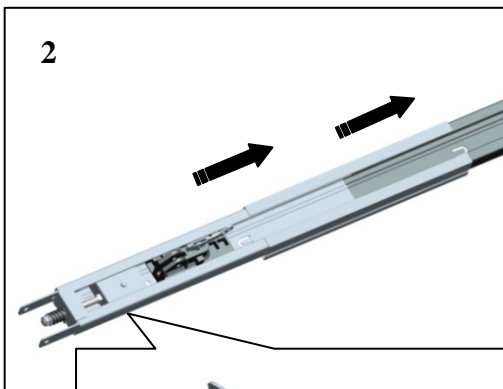
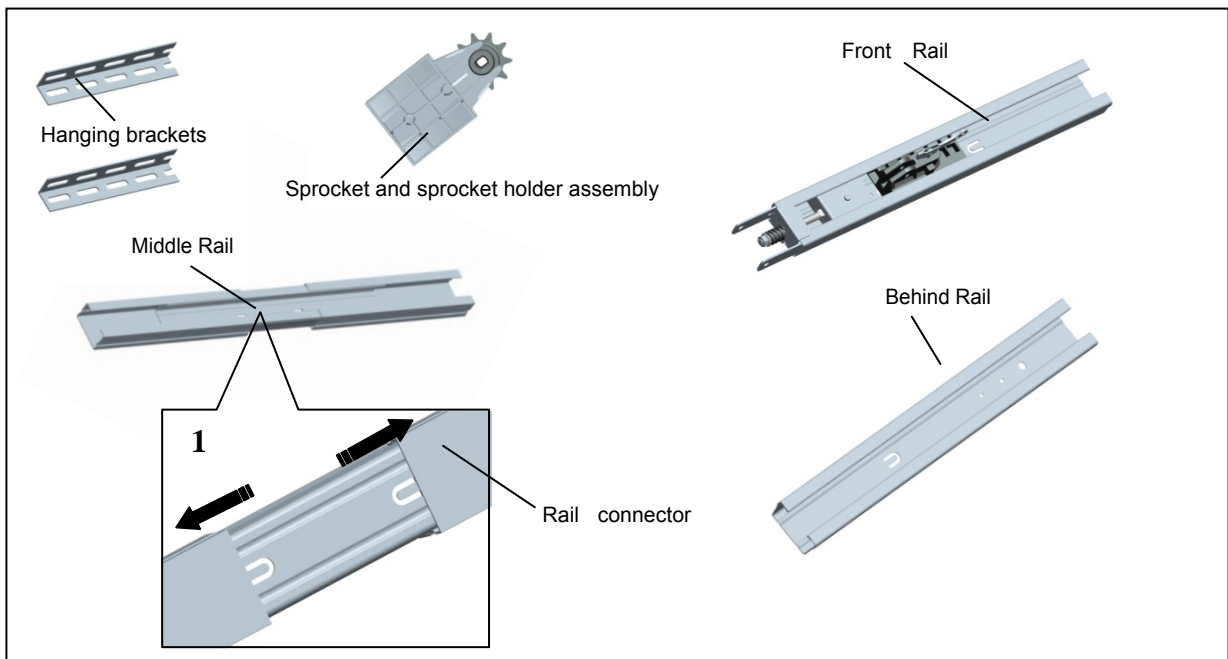
1、 Assemble the Rail

To avoid installation difficulties, do not run the garage door opener until instructed to do so.

CAUTION

To prevent INJURY from pinching, keep hands and fingers away from the joints while assembling the rail

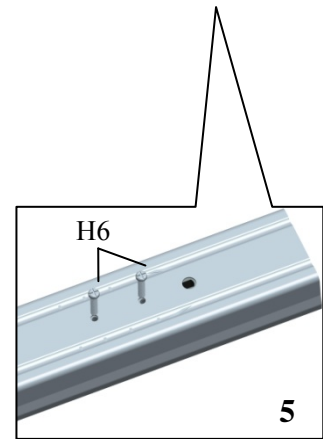
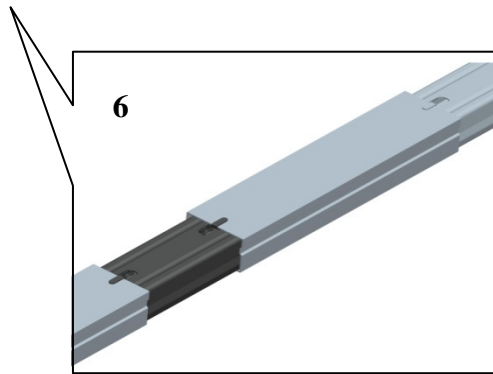
- 1.1 Carefully remove the hanging brackets , sprocket and sprocket holder assembly packaged inside the rail.
- 1.2 Align the rails on a flat surface as shown. The front rail has seven holes near the pulley assembly. The middle rail has two rail connectors.
The behind rail has three holes near the end of rail.
- 1.3 Pull the rail connectors to the “U” hole position in the rail as shown(1).
- 1.4 Slide the front rail into the rail connector. Bend the “U”.
- 1.5 Pull out the chain, The chain and sprocket assemble together.
- 1.6 Slide the behing rail into the rail connector. Bend the “U”.
- 1.7 Fasten the sprocket and sprocket holder assembly with the screws (H6).



7

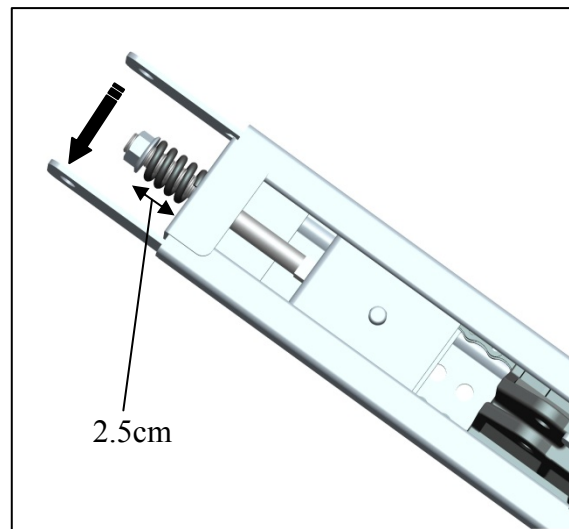


4



2、Tighten the Chain

- 2.1 To increase the tension and tighten the chain,turn the tension nut clockwise or adjustable wrench until the nut is spaced properly from the rail end -plate.
- 2.2 Once the nut is spaced correctly,any additional tightening will overtighten the chain and may cause damage to the system.
- 2.2 To loose the tension,turn nut counterclockwise.



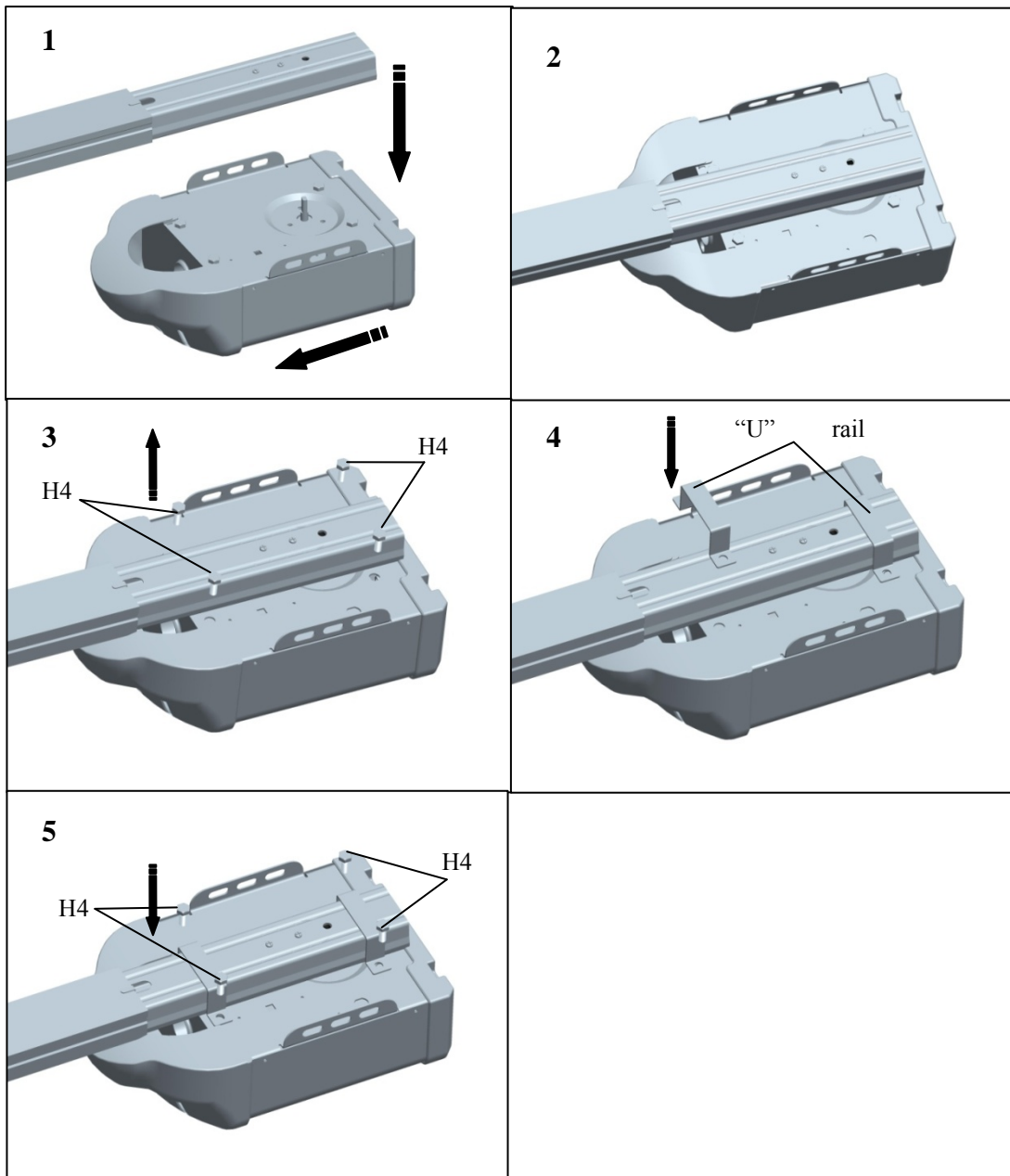
ASSEMBLY

3、 Fasten the Rail to the garage door opener

CAUTION

To avoid **SERIOUS** damage to garage door opener, use **ONLY** those bolts/fasteners mounted in the top of the opener.

- 3.1 Position opener with light facing front of garage. Rest opener head on cardboard or protective surface on floor so opener does not get scratched. Chassis side of opener facing up.
- 3.2 Position rail onto opener chassis by lining up rail sprocket. Make sure shaft insert into rail sprocket. Press rail down firmly onto shaft and opener chassis. **DO NOT HAMMER.**
- 3.3 Remove the four bolts(H4) from the chassis of the garage door opener.
- 3.4 Position 2 “U” rail clips over rail and onto chassis. Insert 4 hex bolts(H4) through rail clips holes and into chassis holes. and tighten hex bolts firmly to hold rail to the garage door opener head.



INSTALLATION

IMPORTANT INSTALLATION INSTRUCTIONS



WARNING

To reduce the risk of SEVERE INJURY or DEATH:

- 1. READ AND FOLLOW ALL INSTALLATION WARNINGS AND INSTRUCTIONS.**
- 2. Install garage door opener ONLY on properly balanced and lubricated garage door and lubricated garage door. An improperly balanced door may NOT reverse when required and could result in SEVERE INJURY or DEATH.**
- 3. ALL repairs to cables, spring assemblies and other hardware MUST be made by a trained door systems technician BEFORE installing opener.**
- 4. Disable ALL locks and remove ALL ropes connected to garage door BEFORE installing opener to avoid entanglement.**
- 5. Install garage door opener 7 feet (2.13 m) or more above floor.**
- 6. Mount the emergency release within reach, but at least 6 feet (1.83 m) above the floor and avoiding contact with vehicles to avoid accidental release.**
- 7. NEVER connect garage door opener to power source until instructed to do so.**
- 8. NEVER wear watches, rings or loose clothing while installing or servicing opener. They could be caught in garage door or opener mechanisms.**
- 9. Install wall-mounted garage door control:**
 - within sight of the garage door.
 - out of reach of children at minimum height of 5 feet (1.5 m).
 - away from ALL moving parts of the door.
- 10. Place entrapment warning label on wall next to garage door control.**
- 11. Place manual release/safety reverse test label in plain view on inside of garage door.**

INSTALLATION

1. Determine the Header Bracket Location



WARNING

To prevent possible **SERIOUS INJURY** or **DEATH**:

- Header bracket **MUST** be **RIGIDLY** fastened to structural support on header wall or ceiling, otherwise garage door might not reverse when required. **DO NOT** install header bracket over drywall.
- Concrete anchors **MUST** be used if mounting header bracket or 2x4 into masonry.
- **NEVER** try to loosen, move or adjust garage door, springs, cables, pulleys, brackets, or their hardware, **ALL** of which are under **EXTREME** tension.
- **ALWAYS** call a trained door systems technician if garage door binds, sticks, or is out of balance. An unbalanced garage door might not reverse when required.

Installation procedures vary according to garage door types. Follow the instructions which apply to your door.

1.1 Close the door and mark the inside vertical centerline of the garage door.

1.2 Extend the line onto the header wall above the door.

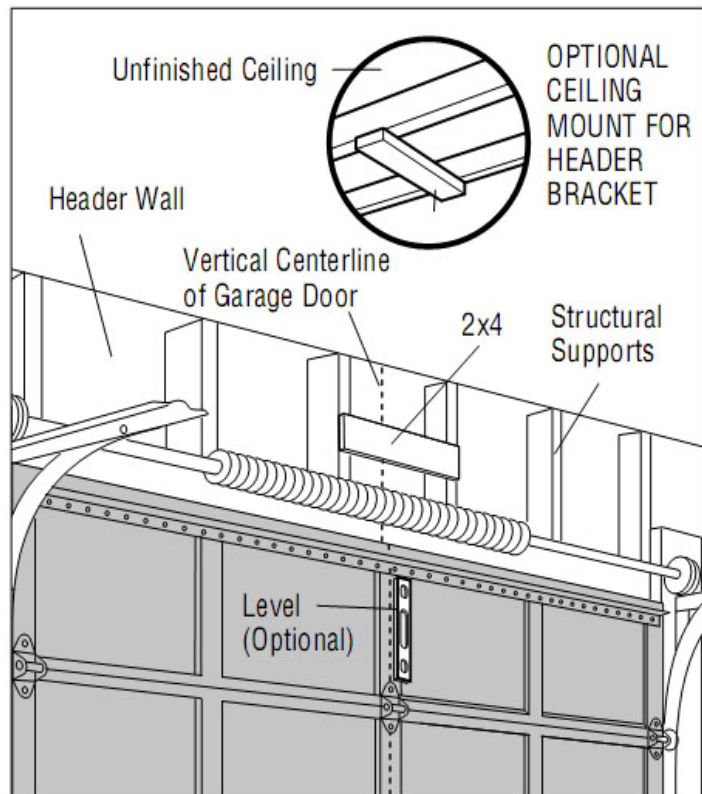
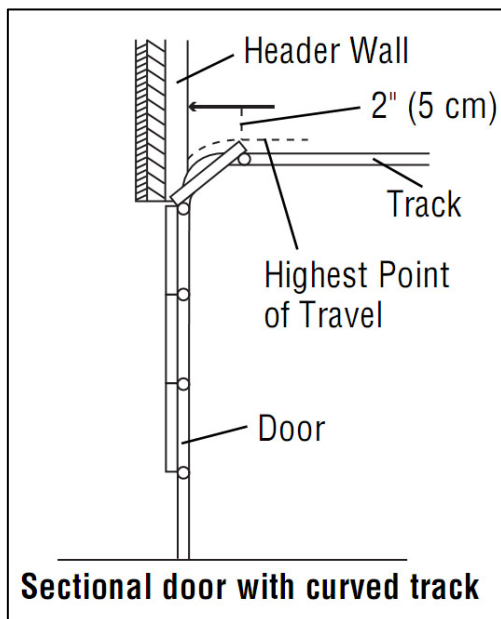
You can fasten the header bracket within 4 feet (1.22 m) of the left or right of the door center only if a torsion spring or center bearing plate is in the way; or you can attach it to the ceiling (see page 13) when clearance is minimal. (It may be mounted on the wall upside down if necessary, to gain approximately 1/2" (1 cm).

If you need to install the header bracket on a 2x4 (on wall or ceiling), use lag screws (not provided) to securely fasten the 2x4 to structural supports.

1.3 Open your door to the highest point of travel as shown. Draw an intersecting horizontal line on the header wall above the high point:

- 2" (5 cm) above the high point for sectional door with track.

NOTE: If the total number of inches exceeds the height available in your garage, use the maximum height possible, or refer to page 13 for ceiling installation



INSTALLATION

2. Install the Header Bracket

You can attach the header bracket either to the wall above the garage door, or to the ceiling. Follow the instructions which will work best for your particular requirements. **Do not install the header bracket over drywall. If installing into masonry, use**

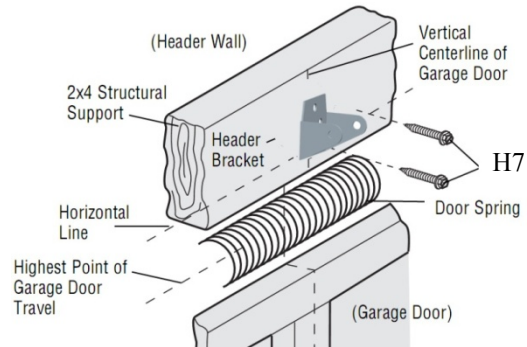
concrete anchors (not provided).

HARDWARE: H7 Lag Screw M8×40 (2)



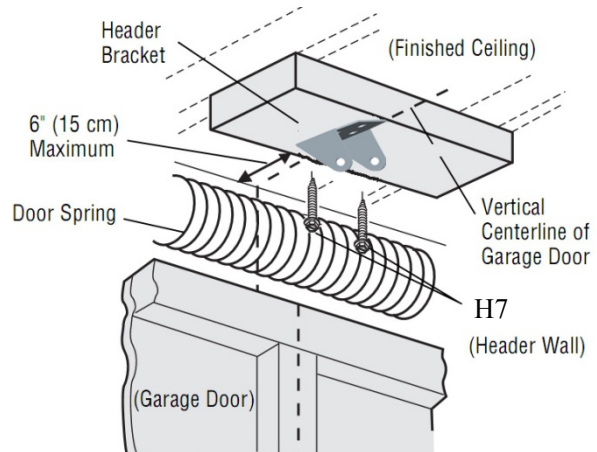
Option A WALL INSTALLATION

- 2.1A Center the bracket on the vertical centerline with the bottom edge of the bracket on the horizontal line as shown (with the arrow pointing toward the ceiling).
- 2.2A Mark the holes. Drill 3/16" pilot holes and fasten the bracket securely to a structural support with the hardware provided.



Option B CEILING INSTALLATION

- 2.1B Extend the vertical centerline onto the ceiling as shown.
- 2.2B Center the bracket on the vertical mark, no more than 6" (15 cm) from the wall. Make sure the arrow is pointing away from the wall. The bracket can be mounted flush against the ceiling when clearance is minimal.
- 2.3B Mark the holes. Drill 3/16" pilot holes and fasten bracket securely to a structural support with the hardware provided.



INSTALLATION

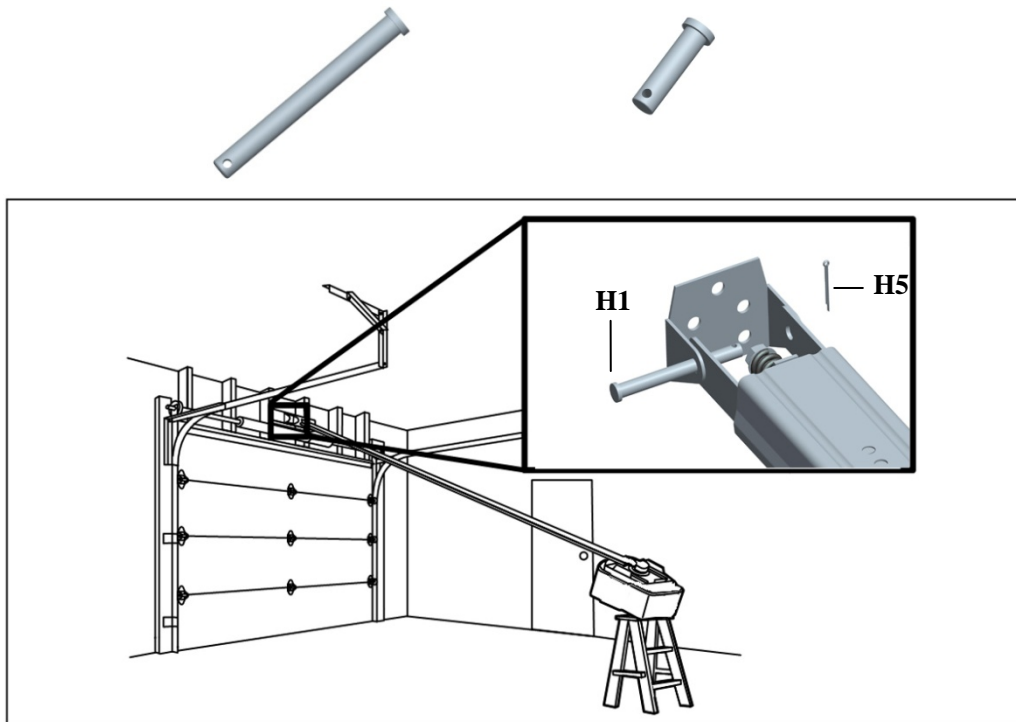
3. Attach the Rail to the Header Bracket

- 3.1 Align the rail with the header bracket. Insert the clevis pin (H1) through the holes in the header racket and rail. Secure with the cottor (H5).

H1 Clevis Pin, long
Φ8×80 (1)

H5 Cotter Φ2×25(1)

HAEDWARE

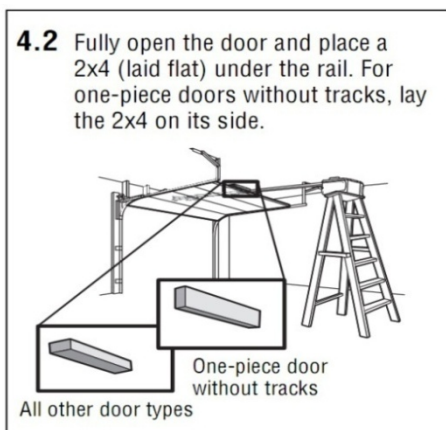


4、 Position the garage door opener

CAUTION

To prevent damage to garage door, rest garage door opener rail on 2x4 placed on top section of door.

NOTE A 2x4 is ideal for setting the distance between the rail and the door. If the ladder is not tall enough you will need help at this point.



If the door hits the trolley when it is raised, pull the trolley release arm down to disconnect the chain connector kit and trolley. Slide the trolley toward the garage door opener. The trolley can remain disconnected until further instruction.

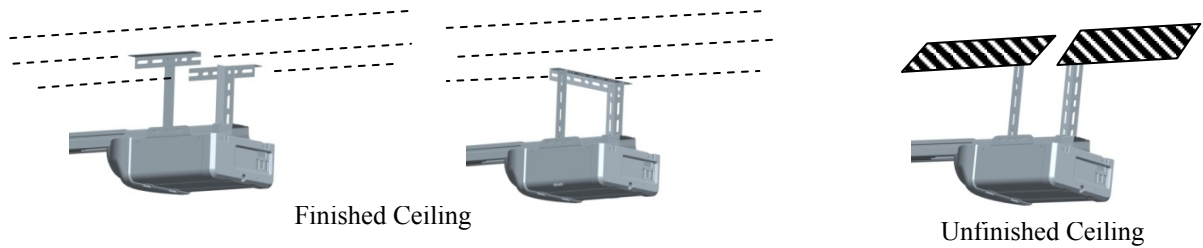
5、 Hang the garage door opener



WARNING

To avoid possible **SERIOUS INJURY** from a falling garage door opener, fasten it **SECURELY** to structural supports of the garage. Concrete anchors **MUST** be used if installing **ANY** brackets into masonry.

Hanging the garage door opener will vary depending on your garage. Below are three example installations. Your installation may be different. For ALL installations the garage door opener MUST be connected to structural supports. The instructions illustrate one of the examples below.



HARDWARE

H4 Hex Bolt M8×20(2)

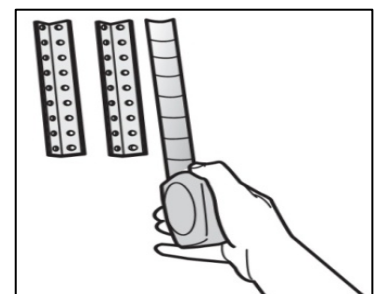
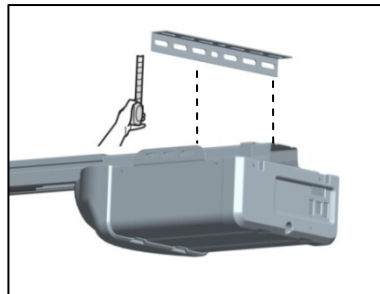
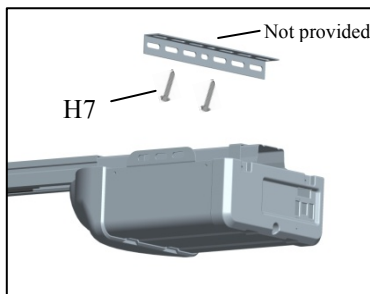
H3 Hex Nut



5.1 On finished ceilings, use the lag screws (H7) to attach a support bracket (not provided) to the structural supports before installing the garage door opener

5.2 Make sure the garage door opener is aligned with the header bracket. Measure the distance from each side of the garage door opener to the support bracket.

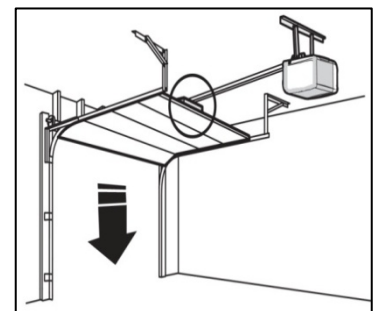
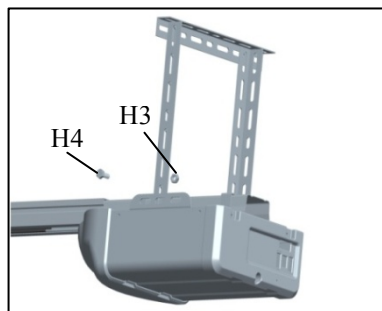
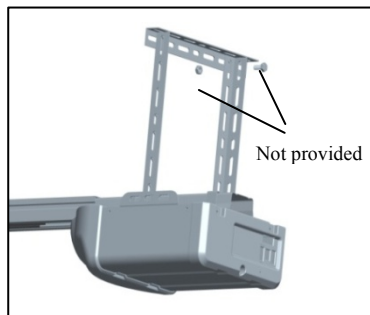
5.3 Cut both pieces of the hanging bracket to required lengths.



5.4 Attach the end of each hanging aligned bracket to the support bracket with appropriate hardware (not provided).

5.5 Attach the garage door opener to the hanging brackets with the bolts (H15), lock washers (H21) and nuts (H20).

5.6 Remove the 2x4 and manually close the door. If the door hits the rail, raise the header bracket.



6. Install the light bulbs

CAUTION

To prevent possible OVERHEATING of the end panel or light socket:

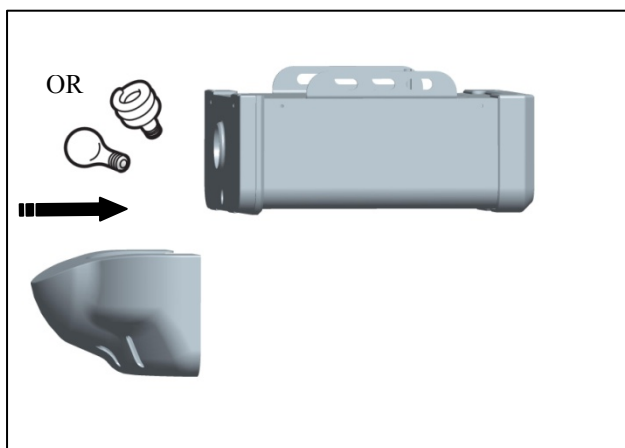
- Use ONLY A19 incandescent or compact fluorescent light bulbs.
- DO NOT use incandescent bulbs larger than 100W.
- DO NOT use compact fluorescent light bulbs larger than 26W (100W) equivalent.
- DO NOT use halogen bulbs.
- DO NOT use short neck or specialty light bulbs.

NOTE: The use of short neck or speciality light bulbs may overheat the end panel or light socket.

6.1 Pull the top sides of the light lens and rotate the light lens down.

6.2 Insert an A19 incandescent or compact fluorescent light bulb (100 watt maximum), into the light socket.

6.3 Clip the lens in the opener.



7、 Attach the Emergency Release Rope and Handle



WARNING

To prevent possible **SERIOUS INJURY** or **DEATH** from a falling garage door:

- If possible, use emergency release handle to disengage trolley **ONLY** when garage door is **CLOSED**. Weak or broken springs or unbalanced door could result in an open door falling rapidly and/or unexpectedly.
- **NEVER** use emergency release handle unless garage doorway is clear of persons and obstructions.
- **NEVER** use handle to pull door open or closed. If rope knot becomes untied, you could fall.

NOTE: If it is necessary to cut the emergency release rope, seal the cut end with a match or lighter to prevent unraveling. Ensure that the emergency release rope and handle are above the top of all vehicles to avoid entanglement.

- 7.1 Insert one end of the emergency release rope through the handle. Tie a knot at least 1 inch (2.5 cm) from the end of the emergency release rope.
- 7.2 Insert the other end of the emergency release rope through the hole in the trolley release arm. Make sure the handle is 6 feet (1.83 m) above the floor and secure with a knot.



8、 Install the door bracket

CAUTION

Fiberglass, aluminum or lightweight steel garage doors **WILL REQUIRE** reinforcement **BEFORE** installation of door bracket. Contact your door manufacturer for reinforcement kit.

Figure 1 shows one piece of angle iron as the horizontal brace. For the vertical brace, 2 pieces of angle iron are used to create a U-shaped support. The best solution is to check with your garage door manufacturer for an opener installation door reinforcement kit.

NOTE: Many door reinforcement kits provide for direct attachment of the clevis pin and door arm. In this case you will not need the door bracket; proceed to the next step.

HARDWARE

H8 Self-Threading Screw (2)



Option SECTIONAL DOORS

- 8.1A Center the door bracket on the previously marked vertical centerline used for the header bracket installation. Note correct UP placement, as stamped inside the bracket.
- 8.2A Position the top edge of the bracket 2"-4" (5-10 cm) below the top edge of the door, OR directly below any structural support across the top of the door.
- 8.3A Mark, drill holes and install as follows, depending on your door's construction:

Metal or light weight doors using a vertical angle iron brace between the door panel support and the door bracket:

- Drill 3/16" fastening holes. Secure the door bracket using the two self-threading screws (H16). (Figure 2)
- Alternately, use two 5/16" bolts, lock washers and nuts (not provided). (Figure 3)

Metal, insulated or light weight factory reinforced doors:

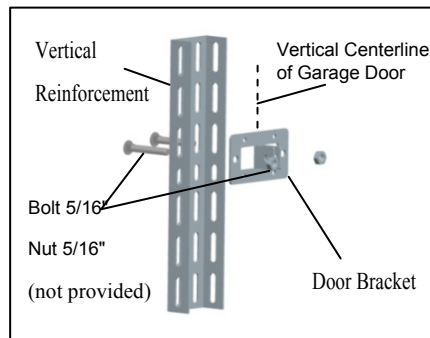
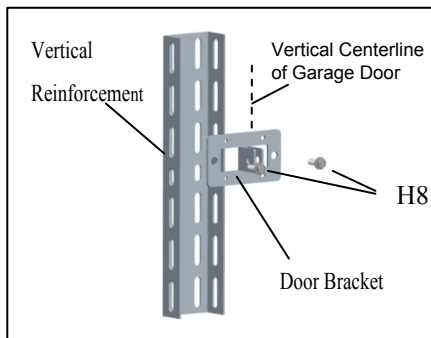
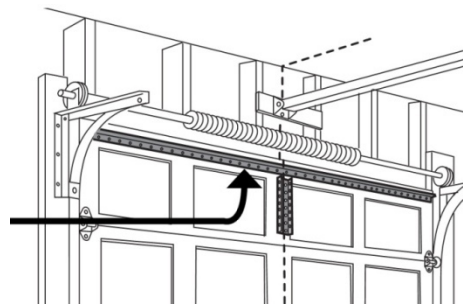
- Drill 3/16" fastening holes. Secure the door bracket using the self-threading screws (H16). (Figure 4)

Wood Doors:

- Use top and bottom or side to side door bracket holes. Drill 5/16" holes through the door and secure bracket with 5/16"x2" carriage bolts, lock washers and nuts (not provided). (Figure 5)

NOTE: The 1/4"-14x5/8" self-threading screws are not intended for use on wood

A horizontal and vertical reinforcement is needed for lightweight garage doors (fiberglass, aluminum, steel, doors with glass panel, etc.) (not provided). A horizontal reinforcement brace should be long enough to be secured to two or three vertical supports. A vertical reinforcement brace should cover the height of the top panel.



9、 Connect the door arm to the trolley

HARDWARE

H2 Clevis Pin,short
Φ8×30 (2)



H3 Hex Nut
M8(2)



H4 Hex Bolt M8×20(4)



H5 Cotter Φ2×25(2)

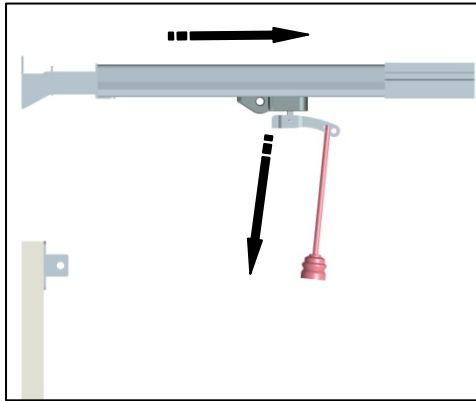


Option SECTIONAL DOORS

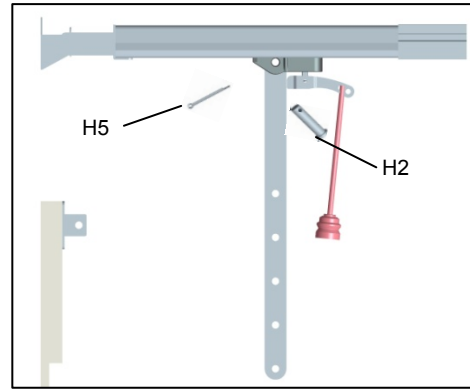
NOTE:If the holes in the curved door arm and the straight door arm do not align, reverse the straight door arm, select two holes (as far apart as possible) and attach using bolts (H15), nuts (H20), and lock washers (H21).

9.1 Close the door. Disconnect therolley by pulling the emergency release handle.

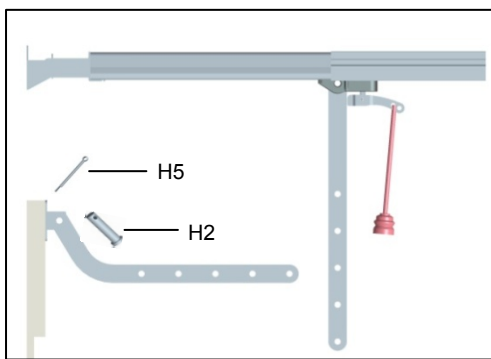
9.2 Attach the straight door arm to the outer trolley using the clevis pin (H14). Attach with the ring fastener (H19).



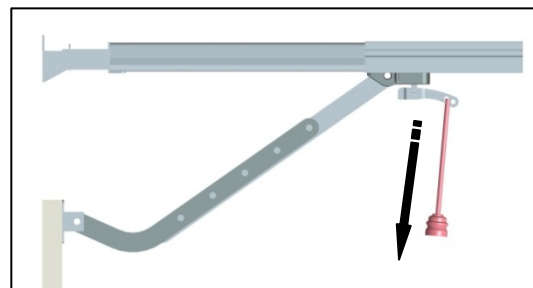
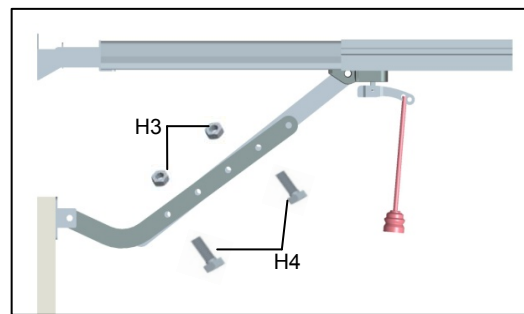
9.3 Attach the curved door arm to the door bracket using the clevis pin (H13). Attach with the ring fastener (H19).



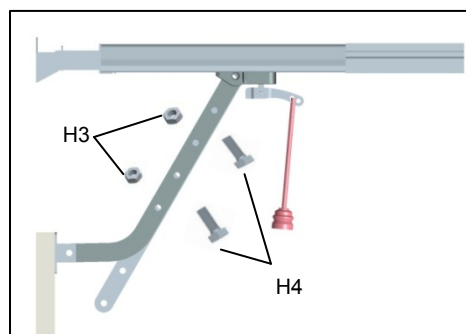
9.4 Bring arm sections together. Find two pairs of holes that line up and join sections. Select holes as far apart as possible to increase door arm rigidity and attach using the bolts (H15), nuts (H20) and lock washers (H21).



9.5 Pull the emergency release handle toward the garage door opener until the trolley release arm is horizontal. The trolley will re-engage automatically when the garage door opener is activated.



If the straight door arm is hanging down too far, you may cut 6 inches (15 cm) from the solid end.



Install the Wall Control

1 Install the wall control



WARNING

To prevent possible **SERIOUS INJURY** or **DEATH** from electrocution:

- Be sure power is **NOT** connected **BEFORE** installing door control.
- Connect **ONLY** to 24 VOLT low voltage wires.

To prevent possible **SERIOUS INJURY** or **DEATH** from a closing garage door:

- Install door control within sight of garage door, out of reach of children at a minimum height of 5 feet (1.5 m), and away from **ALL** moving parts of door.
- **NEVER** permit children to operate or play with door control push buttons or remote control transmitters.
- Activate door **ONLY** when it can be seen clearly, is properly adjusted, and there are no obstructions to door travel.

INTRODUCTION

Install the wall control within sight of the door at a minimum height of 5 feet (1.5 m) where small children cannot reach, and away from the moving parts of the door. Your product may look different than the illustrations.

HARDWARE

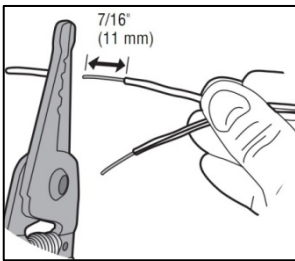
Drywall Anchors (2)

Screw M4×30 (2)

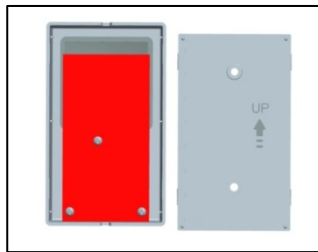


NOTE: For gang box installations it is not necessary to drill holes or install the drywall anchors. Use the existing holes in the gang box.

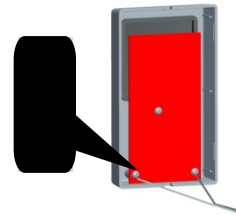
1.1. Strip 7/16 inch (11 mm) of insulation from one end of the wire and separate the wires.



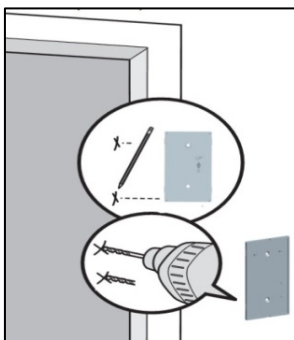
1.2. Open the bottom of the wall control



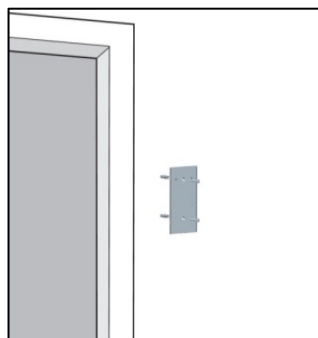
1.3. Connect the white wire to the #3 screw, connect the black\white wire to the #4 screw.



1.4. Mark the location of the bottom mounting hole and drill a 6 mm hole.



1.5. Insert and tighten screws to secure the bottom of the control to wall

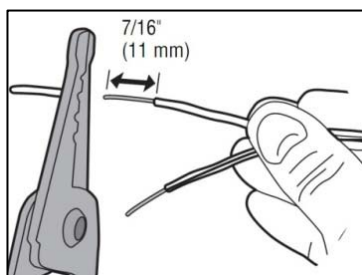


1.6. Position the wall panel onto the bottom.

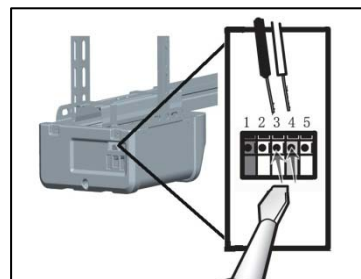


2 Wire the wall control to the garage door opener

2.1. Strip 7/16 inch (11 mm) of insulation from one end of the wire and separate the wires.



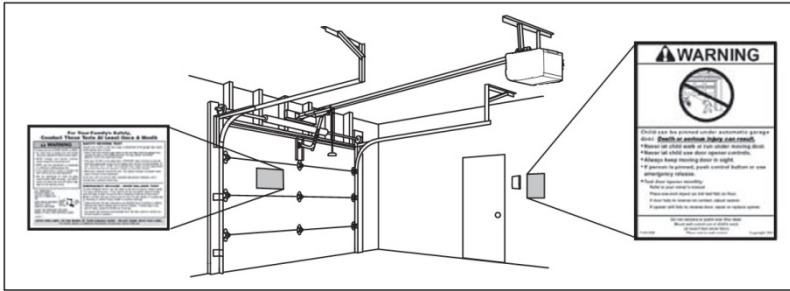
2.2. Connect the white wire to the #3 terminal and the black\white wire to the #4 terminal on garage door opener.



To insert or remove the wires from the terminal, push in the tab with a screwdriver tip.


3 Attach the warning labels

- 3.1 Attach the entrapment warning label on the wall near the door control with tacks or staples.
- 3.2 Attach the manual release/safety reverse test label in a visible location on the inside of the garage door.



Install The Photo Eye Safety System

Introduction

 WARNING
Be sure power is NOT connected to the garage door opener BEFORE installing the safety reversing sensor. To prevent SERIOUS INJURY or DEATH from a closing garage door: · Correctly connect and align the safety reversing sensor. This required safety device MUST NOT be disabled.

IMPORTANT INFORMATION ABOUT THE SAFETY REVERSING SENSOR

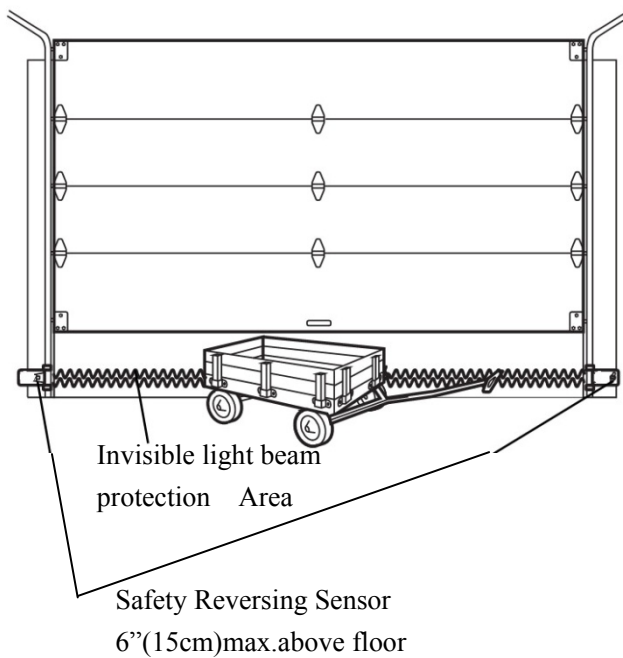
The safety reversing sensor must be connected and aligned correctly before the garage door opener will move in the down direction.

The sending sensor (with an red LED) transmits an invisible light beam to the receiving sensor (with a green LED). If an obstruction breaks the light beam while the door is closing, the door will stop and reverse to the full open position, and the garage door opener lights will flash three minutes

NOTE: For energy efficiency the garage door opener will enter sleep mode when the door is fully closed. The sleep mode shuts the garage door opener down until activated. The sleep mode is sequenced with the garage door opener light bulb; as the light bulb turns off the sensor LEDs will turn off and whenever the garage door opener lights turn on the sensor LEDs will light. The garage door opener will not go into the sleep mode until the garage door opener has completed 5 cycles upon power up.

When installing the safety reversing sensors check the following:

- Sensors are installed inside the garage, one on either side of the door.
- Sensors are facing each other with the lenses aligned and the receiving sensor lens does not receive direct sunlight.
- Sensors are no more than 6 inches (15 cm) above the floor and the light beam is unobstructed.



Install The Photo Eye Safety System

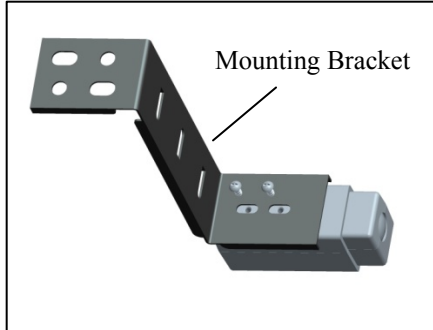
1 Install the Safety Reversing Sensors

The safety reversing sensors can be attached to the wall, The sensors should be no more than 6 inches (15 cm) above the floor.

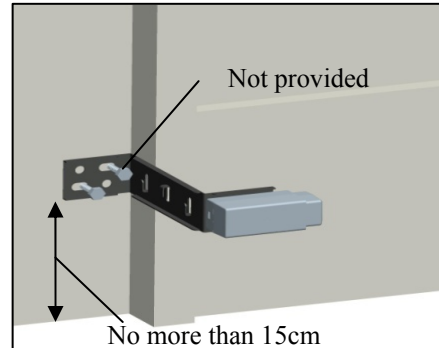
HARDWARE Screw M4×8(4)



1.1 Install the sensors to the mounting bracket using the screws.

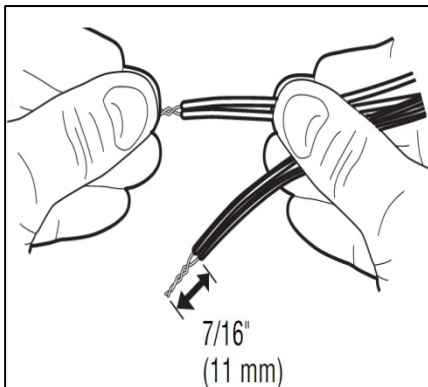


1.2 Position the mounting bracket against the wall with the curved arms facing the door. Make sure there is enough clearance for the beam to be unobstructed. Attach the mounting bracket to the wall using lag screws.

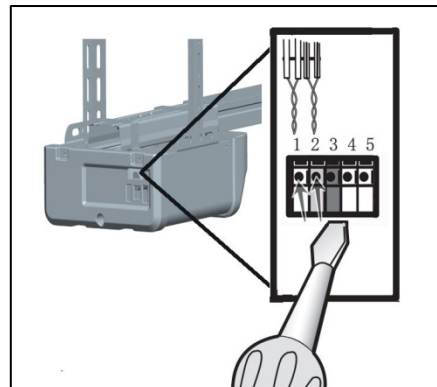


2 Wire the Safety Reversing Sensors

2.1 Strip 7/16 inch (11 mm) of insulation from each set of wires. Separate the wires. Twist the white wires together. Twist the white/black wires together.



2.2 Insert the white wires into the #1 terminal on the garage door opener. Insert the white/black wires into the #2 terminal on the garage door opener.



Power

1 Connect power

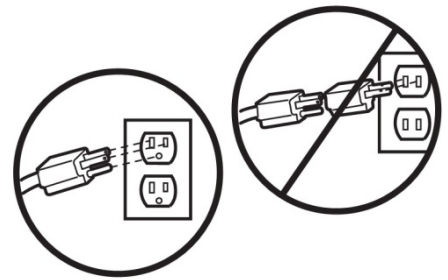


WARNING

To prevent possible **SERIOUS INJURY** or **DEATH** from electrocution or fire:

- Be sure power is **NOT** connected to the opener, and disconnect power to circuit **BEFORE** removing cover to establish permanent wiring connection.
- Garage door installation and wiring **MUST** be in compliance with **ALL** local electrical and building codes.
- **NEVER** use an extension cord, 2-wire adapter, or change plug in any way to make it fit outlet. Be sure the opener is grounded.

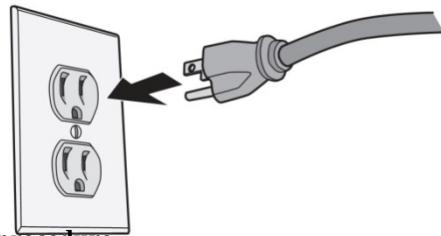
To avoid installation difficulties, do not activate the garage door opener at this time. To reduce the risk of electric shock, your garage door opener has a grounding type plug with a third grounding pin. This plug will only fit into a grounding type outlet. If the plug doesn't fit into your outlet, contact a qualified electrician to install the proper outlet.



THERE ARE TWO OPTIONS FOR CONNECTING POWER:

Option A TYPICAL WIRING

- 1.1A Plug in the garage door opener into a grounded outlet.
- 1.2A DO NOT run garage door opener at this time.



Option B PERMANENT WIRING

If permanent wiring is required by your local code, refer to the following procedure.

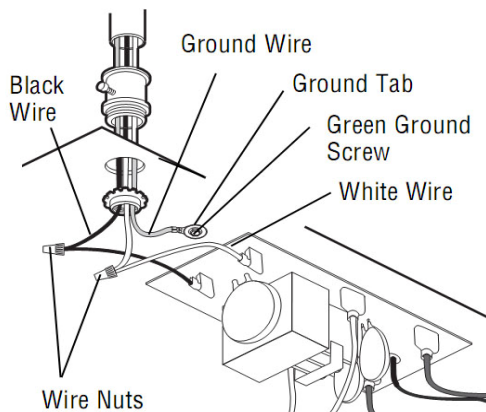
To make a permanent connection through the 7/8" hole in the top of the motor unit (according to local code):

- 1.1B Be sure power is NOT connected to the opener, and disconnect power to circuit.
- 1.2B Remove the garage door opener cover and set aside.
- 1.3B Remove the attached green ground terminal.
- 1.4B Cut black and white wires and strip away 1/2" (1 cm) of insulation, 6" (15 cm) before spade terminals.
- 1.5B Remove the power cord from opener.
- 1.6B Knock out the hole plugs above 7/8" hole.
- 1.7B Install a conduit or flex cable adapter to the 7/8" hole
- 1.8B Run wires through conduit, cut to proper length and strip insulation.
- 1.9B Attach with wire nuts provided. Attach the ground wire to the green ground screw.

The opener must be grounded.

- 1.10B Properly secure wire under plastic ties so that wire does not come in contact with moving parts.
- 1.11B Reinstall the cover. DO NOT run garage door opener at this time.

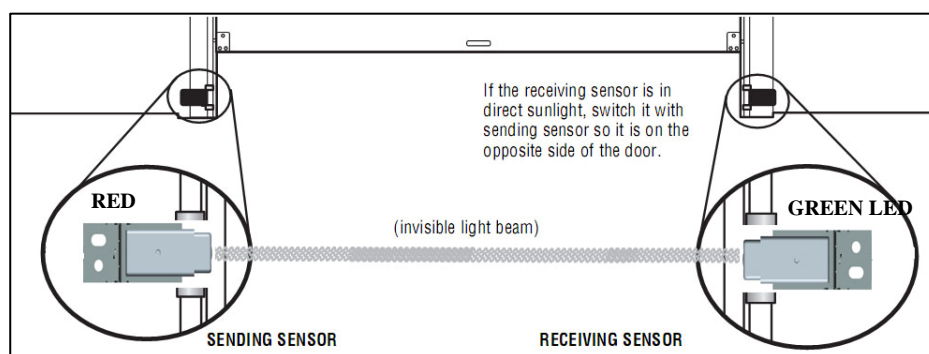
PERMANENT WIRING CONNECTION



2 Ensure the Safety Reversing Sensors are aligned

The door will not close if the sensors have not been installed and aligned correctly

When the light beam is obstructed or misaligned while the door is closing, the door will reverse and the garage door opener lights will flash three minutes. If the door is already open, it will not close.



Adjustments



WARNING

Without a properly installed safety reversal system, persons (particularly small children) could be **SERIOUSLY INJURED** or **KILLED** by a closing garage door.

- Incorrect adjustment of garage door travel limits will interfere with proper operation of safety reversal system.
- After **ANY** adjustments are made, the safety reversal system **MUST** be tested. Door **MUST** reverse on contact with 1-1/2" (3.8 cm) high

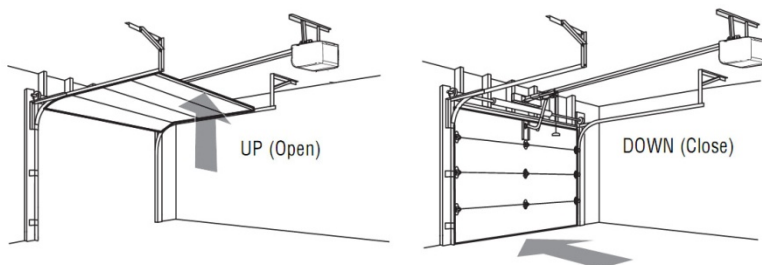
CAUTION

To prevent damage to vehicles, be sure fully open door provides adequate clearance.

NOTE: If anything interferes with the door's upward travel it will stop. If anything interferes with the door's downward travel, it will reverse.

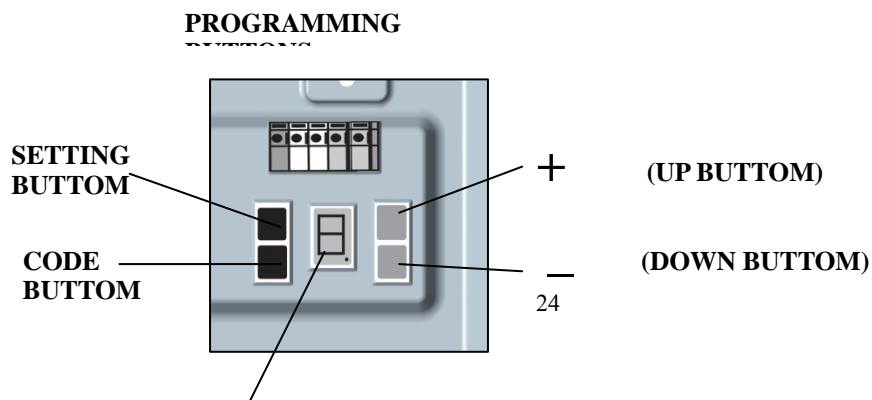
INTRODUCTION

Your garage door opener is designed with electronic controls to make setup and adjustments easy. The adjustments allow you to program where the door will stop in the open (UP) and close (DOWN) position. The electronic controls sense the amount of force required to open and close the door. The force is adjusted automatically when you program the travel and cannot be changed.



PROGRAMMING BUTTONS

The programming buttons are located on the left side panel of the garage door opener and are used to program the travel.



THE

Adjustments

1 Program the Travel



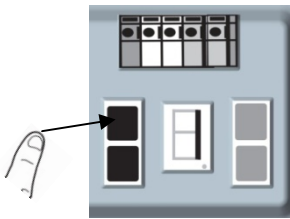
WARNING

Without a properly installed safety reversal system, persons (particularly small children) could be **SERIOUSLY INJURED** or **KILLED** by a closing garage door.

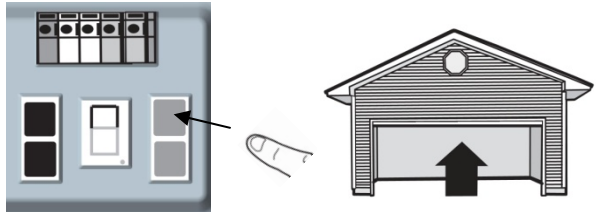
· Incorrect adjustment of garage door travel limits will interfere with proper operation of safety reversal system.

· After **ANY** adjustments are made, the safety reversal system **MUST** be tested. Door **MUST** reverse on contact with 1-1/2" (3.8 cm) high object (or 2x4 laid flat) on floor.

1.1 Press and hold the **SETTING** Button until the screen show "1".

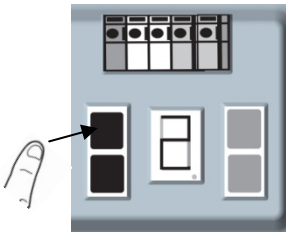


1.2 Press and hold the **UP** Button until the door in the desired UP position.

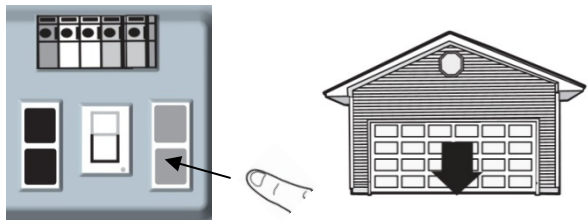


NOTE: The **UP** and **DOWN** Buttons can be used to move the door up and down as needed.

1.3 Once the door in the desired UP position press and release the **SETTING** Button. The screen will show "2".

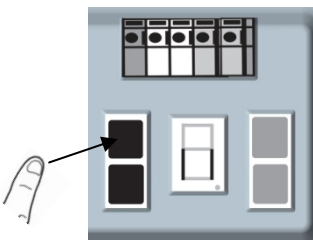


1.4 Press and hold the **DOWN** Button until the door in the desired DOWN position.



NOTE: The **UP** and **DOWN** Buttons can be used to move the door up and down as needed.

1.5 Once the door is in the desired DOWN position, press and release the **SETTING** Button. The screen is flashing " | | ".



1.6 The garage door opener will automatically open the door again, then close the door .

2 Test the Safety Reversal System



WARNING

Without a properly installed safety reversal system, persons (particularly small children) could be **SERIOUSLY INJURED** or **KILLED** by a closing garage door.

- Safety reversal system **MUST** be tested every month.
- After **ANY** adjustments are made, the safety reversal system **MUST** be tested. Door **MUST** reverse on contact with 1-1/2" high (3.8 cm) object (or 2x4 laid flat) on the floor.

2.1 With the door fully open, place a 1-1/2 inch (3.8 cm) board (or a 2x4 laid flat) on the floor, centered under the garage door.



2.2 Press the remote control push button to close the door. The door **MUST** reverse when it makes contact with the board.



If the door stops and does not reverse on the obstruction, the travel needs to be adjusted (refer to Adjustment Step 3). Repeat the test. When the door reverses upon contact with the 1-1/2 inch board, remove the board and open/close the door 3 or 4 times to test the adjustment. If the test continues to fail, call a trained door systems technician.

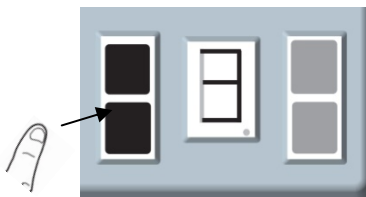
3 ADVANCED SETTINGS

CAUTION

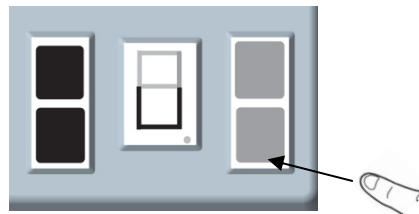
Additional operator functions can be set using the advanced operator functions. Parameters factory default settings can be restored. This programming may only be carried out by a professional installer.

Option A The "OPEN" position force sensitivity

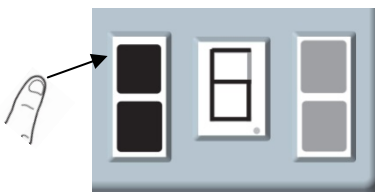
3.1A Press and hold the **SETTING** Button until the screen show the number from "1" to "3".



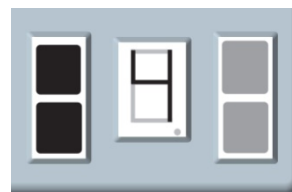
3.2 Press and release the **DOWN** Button and the screen show the "U".



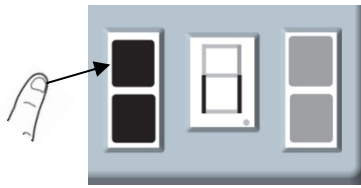
3.3A Press and release the **SETTING** Button and the screen show the levels of the force sensitivity.



3.4 Use the **UP** Bottom to increase the levels, press the **DOWN** Bottom decrease the levels. The screen show the number of the levels.

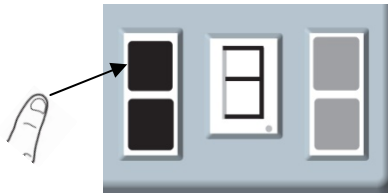


3.5A Press and release the **SETTING** Button and the screen is flashing " | | ". Adjustments is

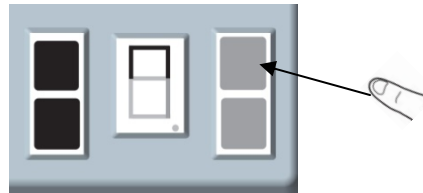


Option B The “CLOSE” position force sensitivity

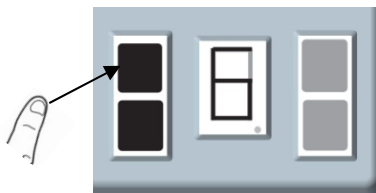
3.1B Press and hold the **SETTING** Button until the screen show the number from “1” to “3”.



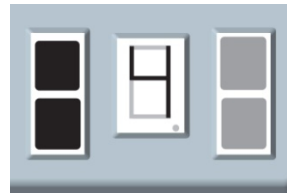
3.2B Press and release the **UP** Button and the screen show the “∩”



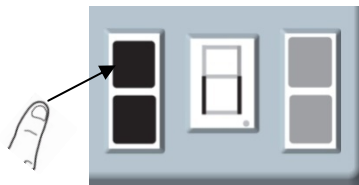
3.3B Press and release the **SETTING** Button and the screen show the levels of the force sensitivity.




3.4B Use the **UP** Bottom to increase the levels, press the **DOWN** Bottom decrease the levels . The screen show the number of the levels.



3.5B Press and release the **SETTING** Button and the screen is flashing “ | | ”. Adjustments is complete.



4 Test The Photo Eye Safety System

 WARNING
<p>Without a properly installed safety reversing sensor, persons (particularly small children) could be SERIOUSLY INJURED or KILLED by a closing garage door.</p>

4.1 Open the door. Place the garage door opener carton in the path of the door.

4.2 Press the remote control push button to close the door.
27
 The door will not move more than an inch (2.5 cm), and the garage door opener lights will flash 10 times.



Note :If the garage door opener closes the door when the safety reversing sensor is obstructed,call for a trained door systems technician.

Operation

IMPORTANT SAFETY INSTRUCTIONS

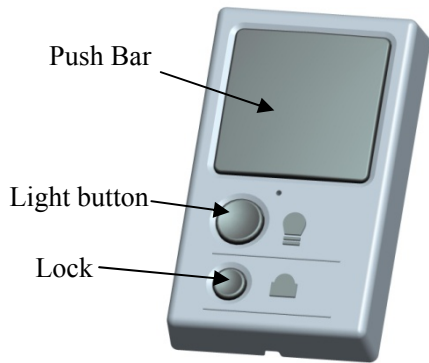
WARNING

To reduce the risk of SEVERE INJURY or DEATH:

- 1. READ AND FOLLOW ALL WARNINGS AND INSTRUCTIONS.**
- 2. ALWAYS keep remote controls out of reach of children. NEVER permit children to operate or play with garage door control push buttons or remote controls**
- 3. ONLY activate garage door when it can be seen clearly, it is properly adjusted, and there are no obstructions to door travel.**
- 4. ALWAYS keep garage door in sight until completely closed. NO ONE SHOULD CROSS THE PATH OF THE MOVING DOOR.**
- 5. NO ONE SHOULD GO UNDER A STOPPED, PARTIALLY OPENED DOOR**
- 6. If possible, use emergency release handle to disengage trolley ONLY when garage door is CLOSED. Weak or broken springs or unbalanced door could result in an open door falling rapidly and/or unexpectedly.**
- 7. NEVER use emergency release handle unless garage doorway is clear of persons and obstructions.**
- 8. NEVER use handle to pull garage door open or closed. If rope knot becomes untied, you could fall.**
- 9. After ANY adjustments are made, the safety reversal system MUST be tested.**
- 10. Safety reversal system MUST be tested every month. Garage door MUST reverse on contact with 1-1/2" high (3.8 cm) object (or a 2x4 laid flat) on the floor.**
- 11. ALWAYS KEEP GARAGE DOOR PROPERLY BALANCED (see page 2). An improperly balanced door may NOT reverse when required and could result in SEVERE INJURY or DEATH.**
- 12. ALL repairs to cables, spring assemblies and other hardware, ALL of which are under EXTREME tension, MUST be made by a trained door systems technician.**
- 13. ALWAYS disconnect electric power to garage door opener BEFORE making ANY repairs or removing covers.**
- 14. This operator system is equipped with an unattended operation feature. The door could move unexpectedly. NO ONE SHOULD CROSS THE PATH OF THE MOVING DOOR.**

WALL Control

Using The Wall Control



PUSH BAR

Press the push bar to open or close the door.

LIGHT BUTTON

Press the Light button to turn the garage door opener lights on or off. When the lights are turned on they will stay on until the Light button is pressed again, or until the garage door opener is activated. Once the garage door opener is activated the lights will turn off after the 3 minutes. The Light button will not control the lights when the door is in motion.

LOCK

The LOCK feature is designed to prevent activation of the garage door opener from remote controls while still allowing activation from the door control .This feature is useful for added peace of mind when the home is empty .

Activate :press and hold the lock bottom until the LED is flashing.The lock feature is activated and the your handheld remote control will not operate your door at this time.

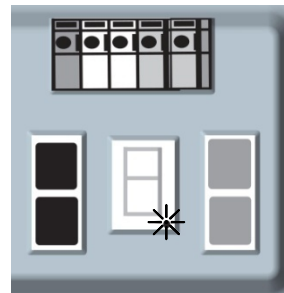
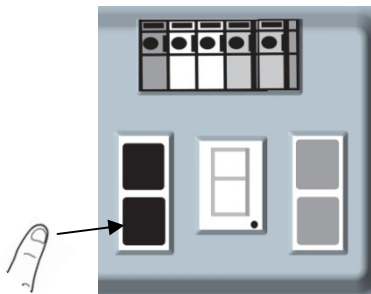
Deactivate: press and hold the lock bottom again ,the LED will stop flashing and normal operation will resume.

Remote Control

PROGRAM A REMOTE USING THE CODE BUTTON

1 Press the **CODE** Button until the screen shows “●”.

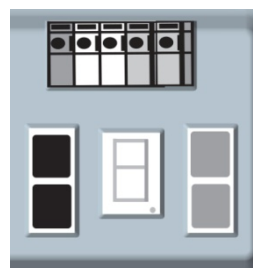
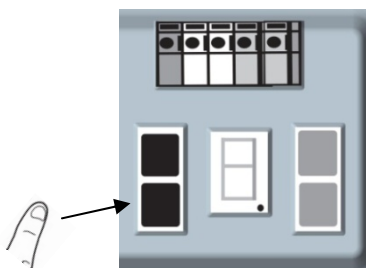
2 Within 10 seconds,press the button on the remote control , the “●”will turn off. Press the button again, the “●” will flash and turn off. Now, congratulation!



To Erase the Memory

ERASE ALL REMOTE CONTROLS

Press and hold the **CODE** button on garage door opener, the “●” will turn on. Release the **CODE** button when the “●” turns off. All remote control are now erased. Reprogram any accessory you wish to use.



To Open the Door Manually



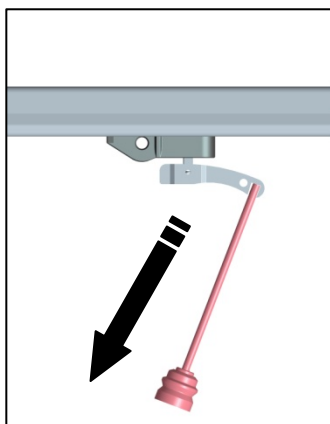
WARNING

To prevent possible **SERIOUS INJURY** or **DEATH** from a falling garage door:

- If possible, use emergency release handle to disengage trolley **ONLY** when garage door is **CLOSED**. Weak or broken springs or unbalanced door could result in an open door falling rapidly and/or unexpectedly.
- **NEVER** use emergency release handle unless garage doorway is clear of persons and obstructions.
- **NEVER** use handle to pull door open or closed. If rope knot becomes untied, you could fall.

DISCONNECT THE TROLLEY

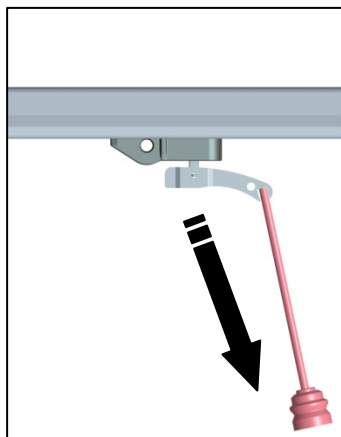
- 1 The door should be fully closed if possible.
- 2 Pull the emergency release handle toward the door at approximately 45 degrees. The door can now be raised and lowered as often as necessary.



RECONNECT THE TROLLEY

Pull the emergency release handle toward the garage door opener, the trolley will re-engage the chain connector.

The trolley will reconnect on the next UP or DOWN operation, either manually or by using the door control or remote control.



Maintenance

Maintenance Schedule

EVERY MONTH

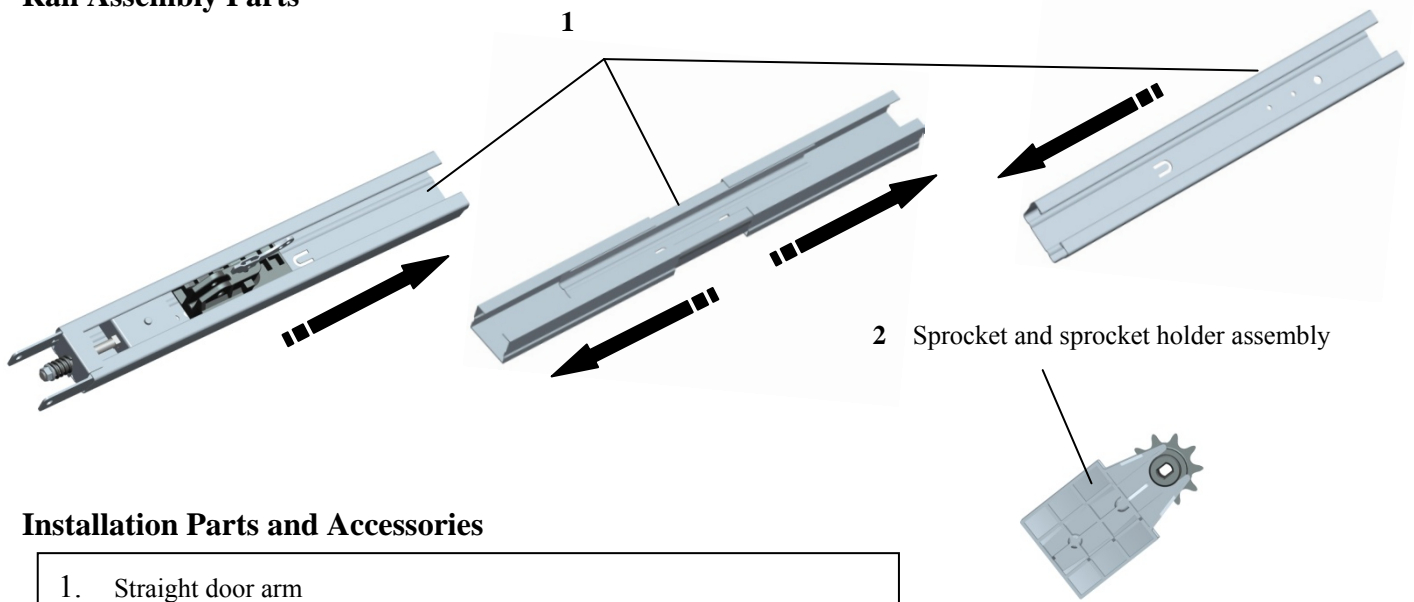
- Manually operate door. If it is unbalanced or binding, call a trained door systems technician.
- Check to be sure door opens and closes fully. Adjust if necessary (refer to Adjustment section).
- Repeat the safety reverse test. Make any necessary adjustments (refer to Adjustment section).

EVERY YEAR

· Oil door rollers, bearings and hinges. The garage door opener does not require additional lubrication. Do not grease the door tracks.

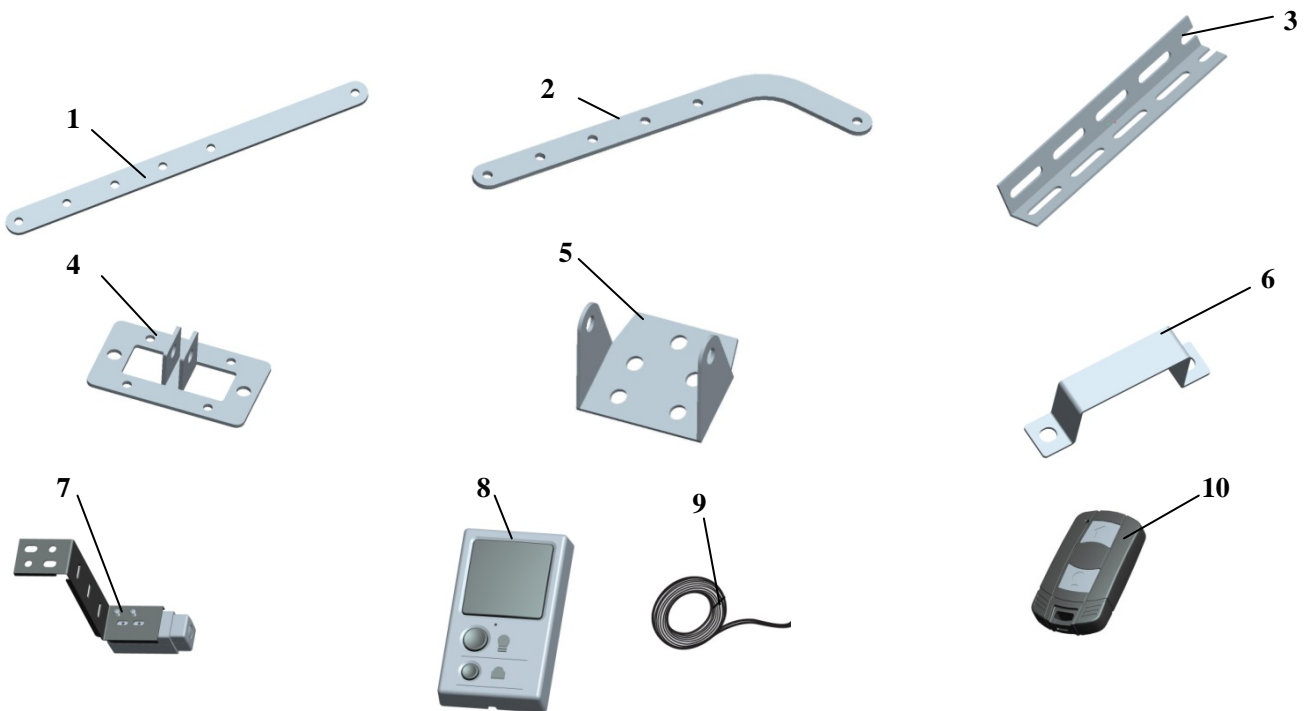
Repair Parts

Rail Assembly Parts



Installation Parts and Accessories

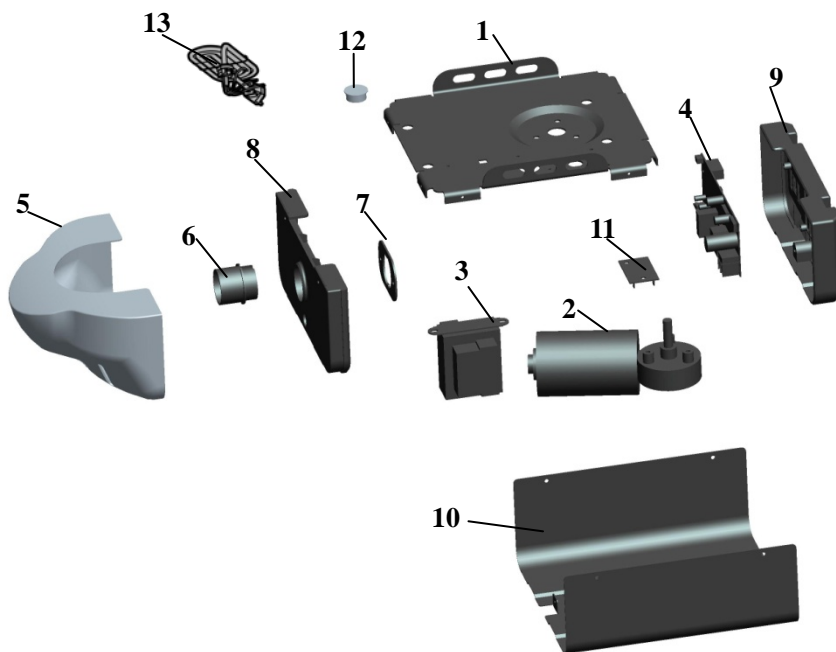
1. Straight door arm
2. Curved door arm
3. Hanging bracket
4. Door bracket
5. Header bracket
6. "U" rail clip
7. Mounting Bracket and the safety reversing sensors with 9m wire
8. The wall control
9. Wire
10. Remote control



Garage Door Opener Parts

DESCRIPTION

1. Chassis.
2. Motor and Hall sensor
3. Transformer
4. Logic Control Board
5. Light Lens(Model 9357·Model9367)
6. Light Socket
7. Light socket fixed board
8. End panel with light socket
9. End panel with Logic Control Board
10. Cover (Model 9357·Model9367)
11. Wiring Board
12. Strain relief
13. Power Cord



NOT SHOWN

- Wire Harness Kit
- Hall sensor

Troubleshooting

Diagnostic Chart

DIAGNOSTIC CODE	THE LIGHT	SYMPTOM	CAUSE	RESOLUTION
2	flash		The opener do not automatically open the door and close the door	Manually open and close the door. Check for binding or obstructions, reprogram the travel, refer to page 30.
3	flash	The opener do not runs	Bad logic control board	Replace the logic control board.
4	flash	The garage door opener will not close and the light(s) flash.	Safety sensors are not installed,connected,or Wires may be cut.	Inspect sensor wires for a disconnected or cut wire(s). If the sending sensor with the RED LED is NOT lit, check the wire and connections for that sensor. If sending sensor LED is lit, check the wire connections leading to the receiving sensor (green LED). Reattach wire or replace wire as needed. If pre-wired home, check the splices. See page 24 for installation. Close the garage door using the remote control or the door control.
5	flash	Door is closing,stops and reverses	Obstruction,binding or sticking door	If your door is binding or sticking, contact a trained door systems technician. If your door is okay, reprogram the travel, refer to page 28.
6	flash	The openers runs approximately 8-12mm and stops	Communication error to travel module	Disconnect all power, remove cover, and locate the travel module. Ensure the wires for travel module are connected, if wires are connected, then replace the travel module.

FCC STATEMENT :

This device complies with Part 15 of the FCC Rules. Operation is subject to the following two conditions:

- (1) This device may not cause harmful interference, and
- (2) This device must accept any interference received, including interference that may cause undesired operation.

Warning: Changes or modifications not expressly approved by the party responsible for compliance could void the user's authority to operate the equipment.

NOTE: This equipment has been tested and found to comply with the limits for a Class B digital device, pursuant to Part 15 of the FCC Rules. These limits are designed to provide reasonable protection against harmful interference in a residential installation.

This equipment generates uses and can radiate radio frequency energy and, if not installed and used in accordance with the instructions, may cause harmful interference to radio communications. However, there is no guarantee that interference will not occur in a particular installation. If this equipment does cause harmful interference to radio or television reception, which can be determined by turning the equipment off and on, the user is encouraged to try to correct the interference by one or more of the following measures:

- Reorient or relocate the receiving antenna.

- Increase the separation between the equipment and receiver.

- Connect the equipment into an outlet on a circuit different from that to which the receiver is connected.

- Consult the dealer or an experienced radio/TV technician for help.

RF warning statement:

The device has been evaluated to meet general RF exposure requirement. The device can be used in portable exposure condition without restriction.