

The logo for SENNA, featuring the brand name in a bold, white, sans-serif font centered within a solid orange rectangular background.

User manual
Model LS140L

Content

- 1 GENERAL INFORMATION
 - 1.1 INTRODUCTION
 - 1.2 SAFETY WARNINGS
 - 1.3 PRECAUTIONS
- 2 YOUR PHONE
 - 2.1 GENERAL DESCRIPTION OF THE PHONE
 - 2.2 FUNCTIONS OF THE KEYS
 - 2.3 MAIN MENU
 - 2.4 ICONS
- 3 FIRST STEPS
 - 3.1 SIM CARD INSTALLATION
 - 3.2 CHARGING THE BATTERY
 - 3.3 INSTALLING THE ANTENNA
 - 3.4 RJ-11 CONNECTION (6 POINTS) CABLE
 - 3.5 ASSEMBLING THE TELEPHONE BASE
 - 3.6 USE OF THE TELEPHONE
 - 3.7 CONNECTION TO WI-FI NETWORKS
 - 3.8 CONNECTING TO BLUETOOTH DEVICES
 - 3.9 CONNECTING TO A COMPUTER VIA USB
 - 3.10 CLARO IDEAS PORTAL
- 4 CALLS
 - 4.1 LOCK AND TURN OFF THE PHONE
- 5 MULTIMEDIA AND OTHER APPLICATIONS
- 6 MEMORY MANAGEMENT
- 7 TROUBLESHOOTING
- 8 FE OF ERRATAS

1. General Information

1.1 Introduction

Please read this manual carefully to keep your phone in perfect condition. It is important to familiarize yourself with the operation in its entirety to ensure proper use and best result. Senwa Mobile is not responsible for inappropriate use of the phone.

Senwa Mobile may change the device without prior written notice and reserves the right to interpret the performance of the phone.

Due to different versions of software and operators, the appearance of your phone may be different from that shown here; please refer to your phone for details.

1.2 Safety warnings

KEEP THE PHONE OUT OF THE REACH OF CHILDREN

Keep the phone and all its accessories out of the reach of small children to avoid choking hazards.

SAFETY ON THE ROAD IS A PRIORITY

Do not use the phone while driving. Use a hands-free kit if you need to make or receive an important call and are driving. In some countries, calling or receiving calls while driving is illegal.

TURN OFF THE PHONE ON THE PLANE

Wireless devices can cause interference on airplanes. Using a mobile device during a flight is illegal and dangerous. Please make sure your phone is switched off during the flight.

TURN OFF YOUR PHONE WHEN ENTERING DANGEROUS AREAS

Strictly observe the laws, codes and regulations on the use of mobile devices in risk areas. Turn off your phone before entering a potentially explosive place, such as gas stations, oil depots, chemical plants, or places where any flammable or explosive material is handled.

OBSERVE ALL SPECIAL REGULATIONS

Follow the special regulations in force in each case, such as hospitals, and always switch off your phone when its use is prohibited or when it may cause interference or be

dangerous in any way.

MEDICAL EQUIPMENTS

Use the phone with caution near medical devices, such as pacemakers, hearing aids, and other electronic medical devices, as the phone may cause interference in these types of equipment.

INTERFERENCES

The quality of conversation on any mobile device can be affected by radio interference. Inside the phone, there is an antenna located on top of the phone; Do not touch the antenna area during a conversation to avoid possible deterioration in sound quality.

QUALIFIED SERVICE

Only qualified personnel can repair the device. Repairing the phone yourself can be dangerous and invalidates the warranty.

ACCESSORIES AND BATTERIES

Use only official accessories and batteries. After the battery charge is complete, do not leave your phone connected to the power source for a long period of time; the phone is not designed to remain connected to the power source for a long time and doing so could damage the device or be dangerous.

OBSERVE LOCAL REGULATIONS

Use the telephone in a sensible and appropriate way, respecting the laws, norms, uses and customs of each area.

EMERGENCY CALLS

Make sure the phone is switched on and in service, enter the emergency number (it will vary depending on the country you are in), and then press the dial key. Please indicate your location and state your situation briefly. Do not end the call until instructed to do so.

Note: Like all other mobile devices, this phone does not necessarily support all the functions described in this manual in case of mobile network transmission problems. Also, some networks do not yet support the emergency call service. Therefore, do not rely solely on the mobile phone for essential communications, such as first aid. For more information, consult your local network operator.

AIRBAGS

Do not place the phone or its accessories in the expansion area of the car air bags; doing so could injure you if the air bag system is activated.

TAKE CARE OF YOUR HEARING CAPACITY AND YOUR VISION

When using the headset, be sure to adjust the volume carefully, avoiding listening to music at a volume that is too high as it may damage your hearing. Also, do not place the screen of your phone too close to your eyes and try to keep any lights on in the environment while using it.

1.3 Precautions

This phone is carefully designed with detailed finishes. Please be especially careful when using it. The following tips will help extend the life of your phone and ensure that it survives the warranty period:

Keep the phone dry and away from rain, moisture and any other liquid substance that can oxidize electronic circuits.

Do not use or store the phone in places with dust or other suspended particles, to avoid damage to the device.

Do not expose the phone to any heat source, such as radiators or dryers. High temperatures shorten the life of electronic circuits and damage the battery and some plastic parts.

Do not store the mobile phone in extremely hot or cold environments. This phone is designed for use in environments with ambient temperatures ranging from 0° C (32° F) to 35° C (95° F); Continued exposure to very high or low temperatures can cause moisture to build up inside the phone, damaging electronic circuits when moving from a cold area to a warmer area and shortening the life of the battery and device.

Do not throw or hit the phone, as it may destroy the internal circuitry and high-precision components that make it up.

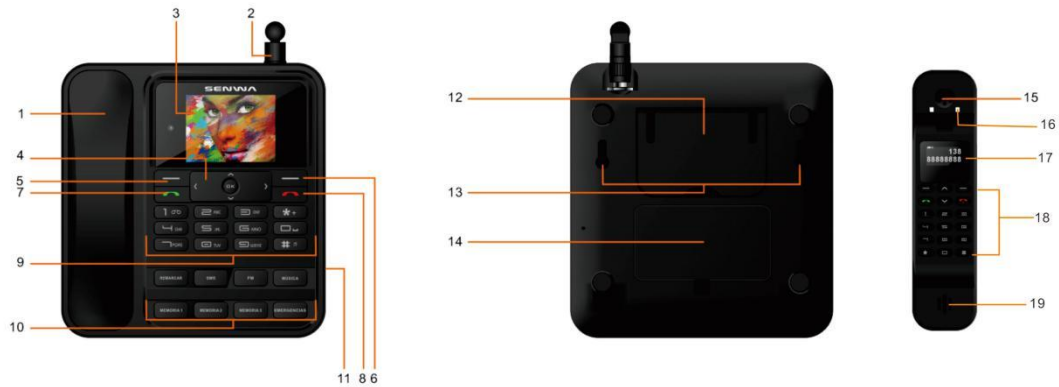
Your phone can be inspected by X-ray machines, such as those used on conveyor belts at airport checkpoints, but it should not be exposed to magnetic detectors or hand-held scanners.

Do not use cleaning products to clean your phone. Use only a clean, dry cloth.

Don't paint your phone. This could obstruct moving parts and vents or vents on your device.

2Your Phone

2.1 Phone overview



1	Handle charging connection	11	Direct access key: access to the previous block function
2	antenna	12	Support frame back cover
3	display screen	13	Hanging area
4	Navigation key	14	Battery area
5	Left function selection key: enter the menu to confirm	15	Handle earpiece area
6	Right function selection key: enter call log/return	16	Handle charging connection
7	Dial key: dial/into call log	17	Handle display area
8	Power button: power on/off	18	Handle button area
9	Number keys and character input	19	Handle to send MIC area
10	Direct access key: access the next block function		

2.2 Key functions

The phone contains the following keys:

On / off key

The power key is located on the right side of the keyboard. Press once to turn off the screen and lock the phone after use. If you press and hold the key, the phone will turn off.

Call key

The call key is located on the left side of the keyboard. Press once to view call logs.

Select keys

The selection keys are located on the upper left side and the upper right side of the keyboard. Press the left selection key to access the Menu. Press the right selection key to go Back (previous screen) or go to the Log from the main screen.

Navigation keys

The navigation keys are located in the center of the keyboard. Press the navigation keys to scroll and select Menu and submenus items.

Numeric keys

The number keys are located in the lower half of the keyboard. Press each number key to enter the numbers on the dial pad.






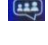






Volume keys

The volume keys are located on the navigation keys. Use the up and down navigation keys to increase and decrease the volume during a call or while listening to various audio formats. To edit the volume settings, go to Menu-> Settings-> Profiles. It shows different options such as: Normal, Silent, Vibrate, Indoor, Outdoor, Headphones, and Bluetooth.

Shortcut keys

The shortcut keys are at the bottom of the keyboard. Each hotkey is a shortcut to important applications.

2.3 Main Menu






	Mi Telcel		Calculator
	File Explorer		Settings
	Browser		Chat
	Multimedia		SIM Telcel
	Tools		Messaging
	History		Contacts

	Registro de llamadas		Multimedia
	SIM Telcel		Navegador
	Contactos		Radio FM
	Reproductor de música		Juegos
	Portal Claro Ideas		Extras
	Mensajes		Ajustes

Note: The appearance of the application icons may vary when updating the software.

2.4 Icons

You will find a series of icons that indicate the status of your phone.

Iconos	Descripción
	Nivel de señal de red actual
	Instalar una tarjeta SIM
	Eventos para hoy
	Nivel de carga de la batería
	Tiene un Mensaje no leído
	La Alarma está activada
	Perfil Silencioso está activado
	Perfil Vibrar está activado
	Perfil Interior está activado
	Perfil Exterior está activado
	Bluetooth está activado

3First Steps

3.1 SIM card installation

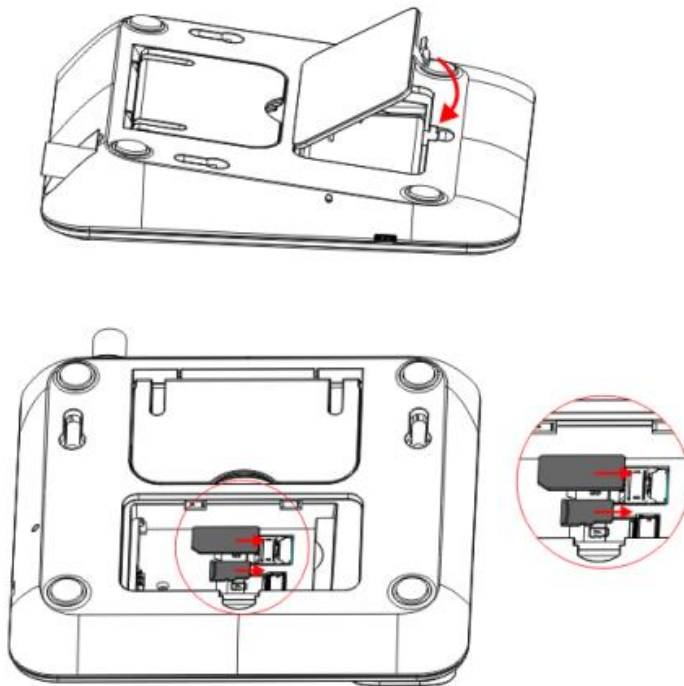
A SIM card carries useful information, including your mobile phone number, PIN (Personal Identification Number), network information, contact information, and short message information. You will need an active SIM card to be able to make phone calls with your phone.

Note: After turning off your phone, wait a few seconds before removing or inserting a SIM card. Take special care when handling the card as friction or bending can damage it.

SIM card installation:

Turn off your phone and remove the battery cover.

Insert the SIM card into the SIM card slot carefully, with the truncated corner of the slot aligned until the card cannot be inserted further. Optionally, put in a microSD card.



Note: Both the SIM card and the SD card are tiny objects. Keep them out of the reach of children to avoid choking hazards.

3.2 Charging the battery

The remaining battery charge is indicated by a white battery icon in the upper right corner of the screen. When the charge level is too low, the phone displays the message “Low battery” .

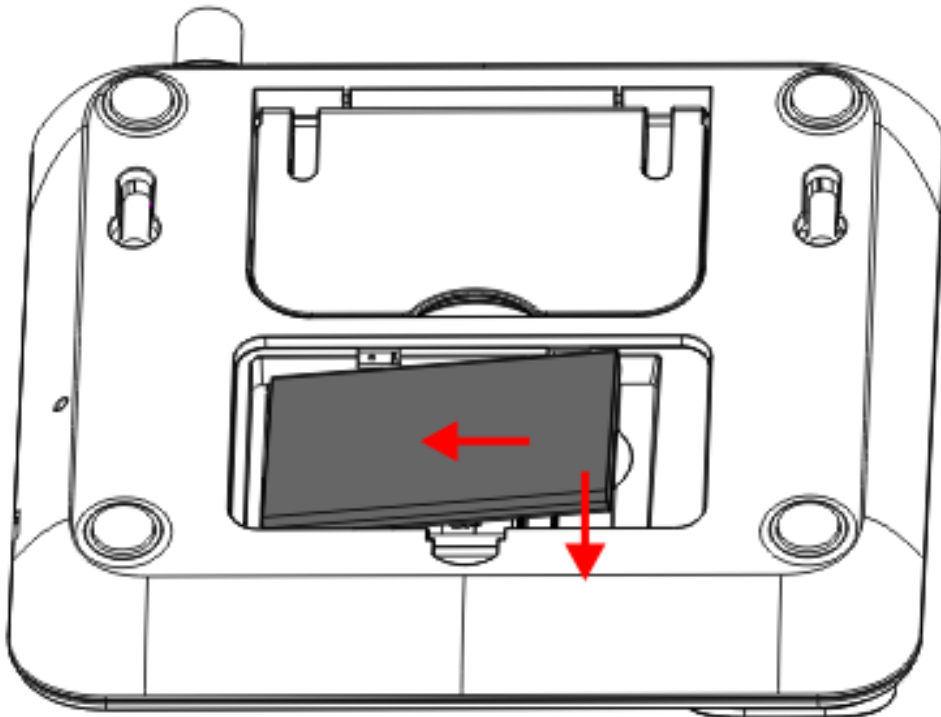
Charger use:

Place the battery correctly in the phone before charging.

Connect the charger cable into the Micro USB port on the bottom.

Insert the charger into a suitable socket.

During charging, the icon on the screen will “blink” to indicate charging. The loading animation disappears when the loading process is complete.



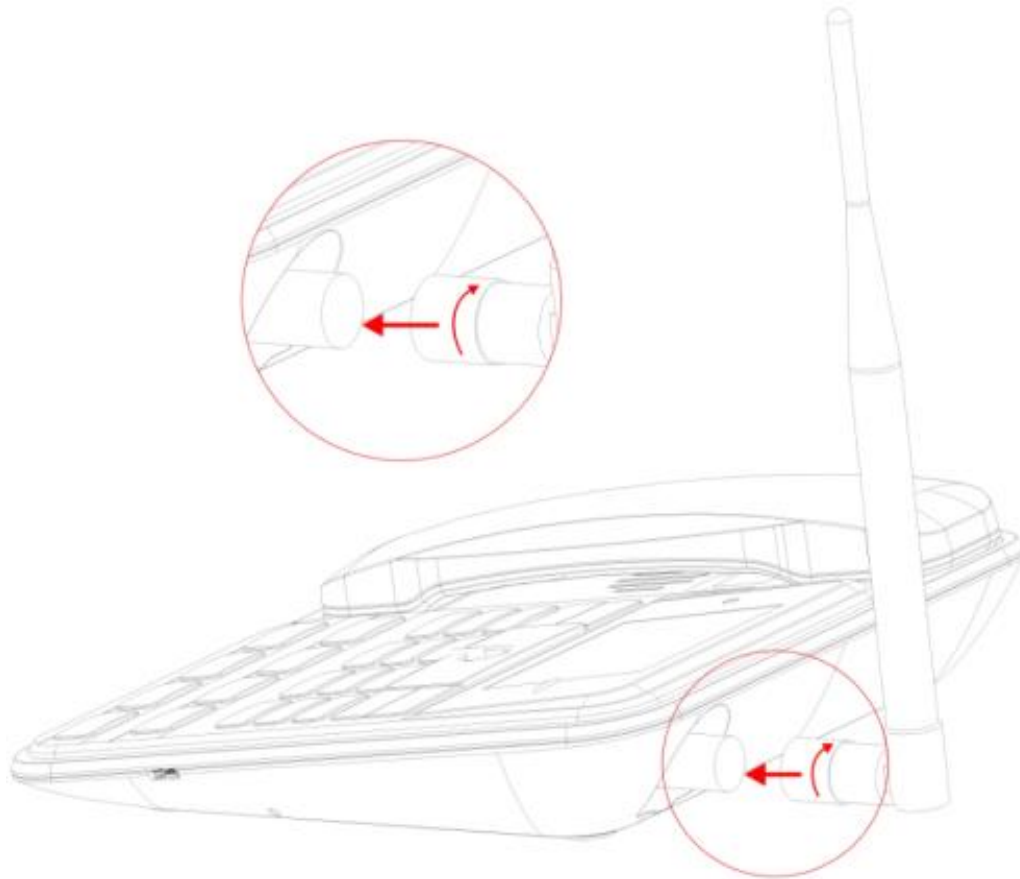


Note: The battery powers the phone for a limited period of time. Make sure the battery is fully charged before using the phone. Make sure that the charger plug and the USB cable plug are inserted in the correct direction. Inserting them in the wrong direction may cause charging failure or other problems. Before charging, make sure that the standard voltage and frequency of the local mains supply match the rated voltage and power of the charger.

3.3 Installation of the antenna

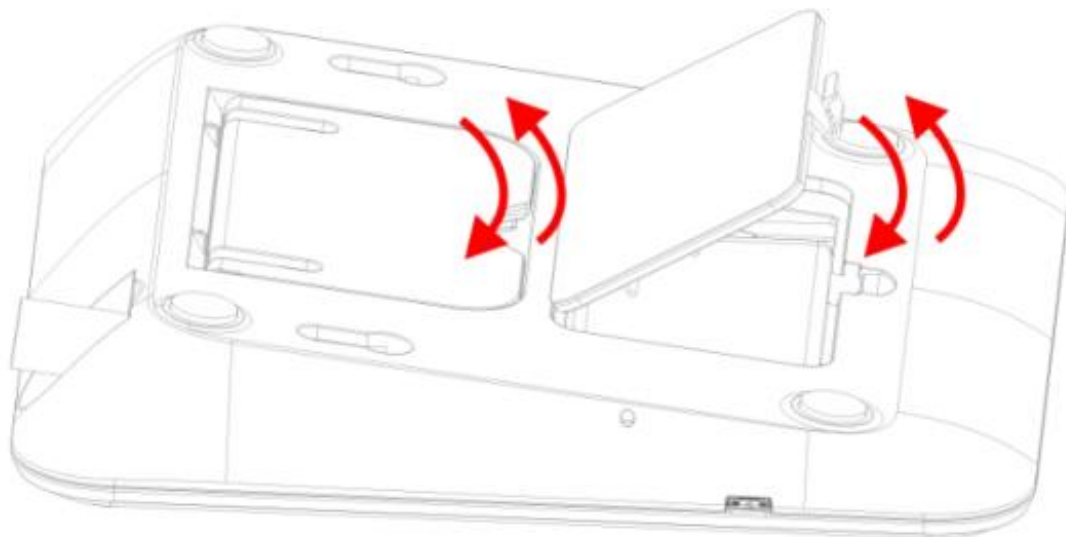
Connect the external antenna to the corresponding port until it is firmly in place, as shown in the figure below.

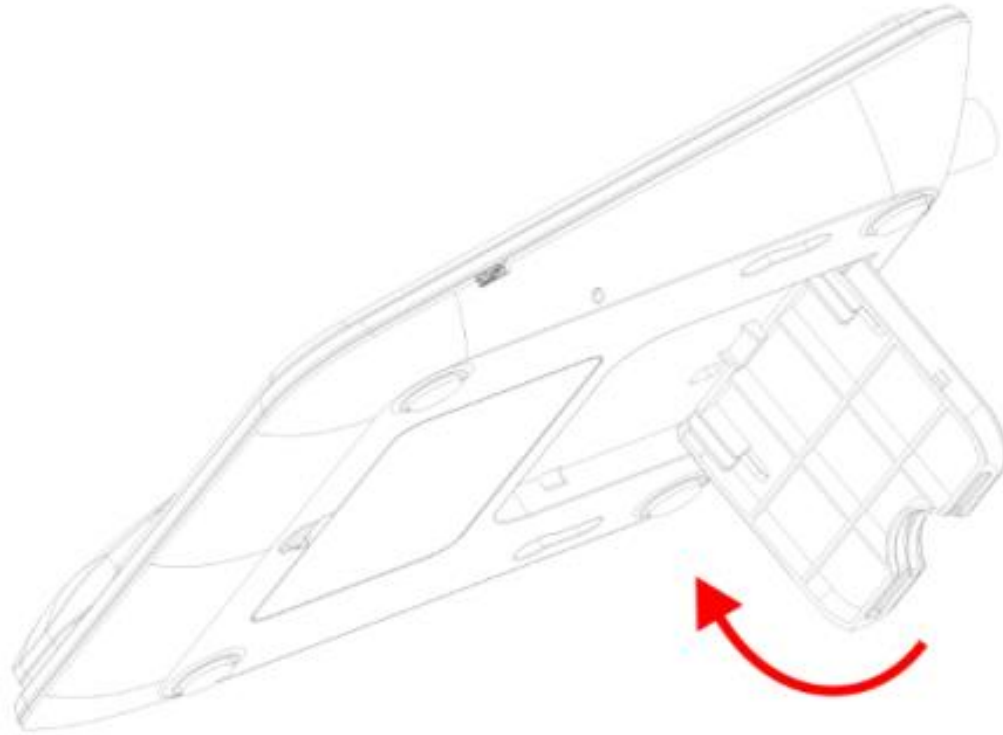
Note: Use the provided external antenna connection only. Using an antenna that is not compatible with the device may cause damage to the device.



3.4 Telephone base assembly

Phone Base Stand: Please open outward from the bottom of the base card stack to keep the phone obliquely level on the desk.





Using the phone

Change the method in Spanish

During regular use of your phone there will be times when you will need to enter text over and over again. Your phone allows you to enter text, letters, numbers or symbols (including punctuation marks). In any text editor, press the # key to change the input method.

Entry method in Spanish

Your LS140L phone has multiple input methods in Spanish. When you are typing in a text field, press the # key to change the method.

The methods available with predictive text are automatic uppercase (Sp), uppercase (SP), and lowercase (sp). Without predictive text you have automatic capitalization (Abc), uppercase (ABC) and lowercase (abc). It also has the numeric input method (123).

Enter symbols and punctuation marks

In any of the text input methods press the key.

* (asterisk) to display the list of available punctuation marks and symbols.

Enter a space

In any of the text input methods press the key.

0 (zero) to enter a space.

Connecting to Wi-Fi networks

The Wi-Fi function allows you to connect your phone to the internet through Wi-Fi networks.

The phone will search for available Wi-Fi networks in its range. Tap a network to connect to it. If the network is open, you will be asked to confirm that you want to connect to that network. Secure networks are indicated by a padlock icon in which a password is entered.

Connect to Bluetooth devices


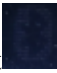
The Bluetooth function allows you to connect your phone to compatible Bluetooth wireless devices.

Before using a Bluetooth device with your phone, you must pair it. The phone will search for and display the identifiers of all visible Bluetooth devices in range. If the device you want to pair with is not listed, make it visible by following the instructions in the manual for the device in question. Once you pair your phone with the device, the devices will remain paired unless manually unpaired.

Connect the Bluetooth of the LS140 deskphone with the Bluetooth of the handle:

1. When the handle is turned on, press and hold the power button to turn on, the prompt tone prompts to turn on, and there is a prompt tone when shutting down, there will also be a prompt tone when the connection is disconnected, and there will be a prompt tone when the distance to the landline is exceeded, return the effective distance to connect and prompt (The effective distance is within 10 meters)
2. The handle is turned on and not connected to the LS140 deskphone. The display status of Bluetooth pairing:



After the pairing is successful, the status bar of the landline will display a solid icon indicating that the Bluetooth has been successfully connected . If it is not successfully connected, it will be grayed out .

The handle is turned on and connected to the Bluetooth pairing of the LS140 landline:



When the phone is in a low battery state, the battery level will change, and a low

volume will be prompted. Please place the handle at the charging connection point of the base phone to ensure that there is enough power to use during the call. The low battery state may affect the clarity of the Bluetooth call. Please pay attention.

Handle call can be switched to handle call or landline speaker call when the landline is in the call option.

Connecting to a computer via USB

The phone can be connected to a computer using a USB cable to transfer music, pictures and other files from your computer to your phone's SD card and vice versa.

Connect the phone to a computer using a USB cable. Select 'LS140L USB Storage' to view your files.

Claro Ideas Portal

To use the Portal Claro ideas application, you must first make sure that your SENWA LS140L phone has a SIM card installed correctly; then verify that your SENWA equipment has a signal from your network provider and finally verify that your telephone line has a balance.

Portal Claro ideas

Press the Menu option, select the Portal Claro ideas application with the navigation keys and press OK to open it. Wait for the main page of Portal Claro ideas to load and you will be able to see the content of the application: downloading tones, videos, sports news, etc. At the bottom of the screen you will find the Option and Stop keys.

Option

By pressing the Option key you will find the following menus.

Update: With this option you can update the content of Portal Claro ideas.

Exit: Selecting this option will exit the Portal Claro ideas application.

Stop

Selecting this option will stop browsing within the Claro ideas Portal.

Note: The Claro Ideas Portal is only a direct access; Portal Claro ideas is not an application to surf the internet, so you can only access links, links and content from Portal Claro ideas. The download experience of the content of the Portal Claro ideas page will depend on your cell phone company.

Experience in the Portal Claro ideas application will depend on the quality of the network and coverage of your service provider.

Calls

Make a call to a number in contacts

Press the left selection key to access the Menu and then press the Contacts icon. Use the navigation keys to select the desired contact. Press the call key to make a call.

Make a call to a number from the call log

Press the left selection key to access the Menu and then press the Call Logs icon, or press the right selection key from the home screen for a shortcut to Call Logs. Use the navigation keys to select the desired contact. Press the call key to make a call.

Answer incoming calls

Press the left selection key or the call key to answer an incoming call, or press the right selection key twice or the power key once to reject a call.

Press the power key to hang up a call.

Manage multiple calls

To answer an incoming call in the middle of a conversation, you can press the call key to answer the new call and keep the first call on hold, or you can combine the two calls.

Note: During the call, use the icons at the bottom of the screen to access Contacts, access the keypad, activate the hands-free speaker, mute the microphone, put the call on hold, or record.

4.1 Lock and turn off the phone

To lock your phone and prevent unwanted keystrokes, press the power key once. To unlock, press the left selection key, then the asterisk * key. Depending on the security settings, the idle screen or the lock screen will be displayed directly.

To turn off your phone, press and hold the power key.

To lock the phone with a password, go to Menu -> Phone settings-> Security -> Phone locked and select your preferred password method.

IMPORTANT: Do not forget your password. If you forget it, you won't be able to unlock your phone and you won't be able to access your personal information. Senwa Mobile is not responsible for the use of this function and the consequences that occur if the password is forgotten.

5 . Multimedia and others

Applications

Camera: You can choose two models: photography and video.

Image: View the images saved in the phone memory or on the memory card.

Video: Use the video player function.

Tape recorder:

Start recording: Start audio recording.

List of recorded files: List of files in the phone memory or SD card

Memory: Set the storage memory.

File format: Set the format of the saved file.

FM Radio:

Automatic search: Search and save FM stations automatically.

Channel list: View the list of FM radio channels.

Save: Save a channel in the channel list.

Manual search: Search and save a channel automatically.

Activate loudspeaker: Select to activate the loudspeaker.

Play in background: Select to activate background playback.

Record: Record the FM radio broadcast.

Record times: Set the time to record.

File list: View list of recorded FM files.

Help: Get help about the FM radio function.

Music: Play MP3 songs and audio files. To play the MP3 songs and audio files, press the Up and Down keys to adjust the volume, the Left and Right keys to select the previous or next song, and the OK key to play / stop the audio file or the song.

Music list: Access a playlist, being able to add and edit songs in the list and perform other operations.

Add: Add songs or mark them as favorites in the playlist.

Set ringtone: Set an audio file or song as a ringtone or alarm.

Random: Play the songs randomly.

Repeat: Repeat one or all songs.

Settings: View the music player settings.

Exit

Games: Your phone includes a game. Check the game menus to learn how to play.

Additional features:

My Files: My Files allows you to view and manage files and folders stored both in your phone's internal memory and on the microSD card, when one is inserted. Click a folder to view its contents and click the Back button to return to the parent folder.

Wi-Fi: Connect your phone to the internet.

Calendar: Press the left selection key to access the calendar screen. The first line shows the year and month, the third line shows the week, the middle area shows the exact date of the month, and the last line shows the left and right selection keys in the message.

Calculator: Perform arithmetic calculations in a simple, practical and convenient way.

World clock: Check the time of different countries, stopwatch alarm, etc.

Stopwatch: allows you to measure time.

Bluetooth: Connect your phone with compatible Bluetooth accessories.

6. Memory management

Your phone has an internal memory. These memories are sufficient for the use of the phone, but your phone is designed to work with a micro SD memory card that would improve the user experience and storage capacity. Micro SD cards are a cheap and efficient way to increase your phone's memory.

Your phone supports cards up to 16GB, enough to store thousands of songs and photos.

The user is ultimately responsible for managing the phone's storage. Senwa Mobile is not responsible for the inappropriate use of the phone.

7 Troubleshooting

If you have any problem with your phone, before taking it to Technical Service make sure that you cannot solve your problem with any of the methods offered here. We advise you the following:

Charge the battery fully

Avoid cluttering your phone memory and SD card with photos, music or any other type of data.

Use Factory data reset to erase all data on your phone and return it to its initial settings, accessing Settings -> Phone settings-> Restore settings-> Enter password. (Note: Restore Settings will erase ALL of your personal data - make sure you've made a backup before resetting your phone.)

Fallos comunes	Razones	Soluciones
La batería no se carga	El voltaje no se corresponde con el rango especificado en el cargador.	Utilice el voltaje especificado en el cargador.
	Está utilizando un cargador no homologado.	Utilice un cargador diseñado específicamente para su teléfono.
La batería no se carga	El cargador no está bien conectado.	Verifique que el enchufe esté conectado correctamente.

Fallos comunes	Razones	Soluciones
Error de la SIM	Tarjeta SIM dañada	Contacte con su operador de red
	Tarjeta SIM no instalada correctamente	Compruebe que la tarjeta SIM está bien colocada.
	La superficie metálica de la SIM está sucia	Limpie la tarjeta SIM con un paño seco y limpio.

Fallos comunes	Razones	Soluciones
Mala recepción de señal	Está utilizando el teléfono en un área con poca cobertura, en cercanía de edificios altos o en sótanos, de modo que la señal no llega correctamente al teléfono.	Diríjase a una zona con una señal más fuerte para responder o realizar llamadas correctamente.
Mala recepción de señal	Está utilizando el teléfono cuando la red está demasiado ocupada y la línea congestionada, de modo que no es posible efectuar llamadas.	Intente en lo posible evitar utilizar el teléfono cuando la línea está congestionada.
No enciende	La batería está descargada.	Cargue la batería.
No es posible realizar llamadas	Está activada la restricción de llamadas.	Desactive la opción de restricción de llamadas.
No se conecta a la red	Tarjeta SIM no válida.	Contacte con su operador de red.
	Está fuera del área de servicio GSM.	Desplácese al área de cobertura de su operador de red.
	Señal débil.	Desplácese hasta un área con una señal más fuerte y vuelva a intentarlo.

8 Errata

We invite you to read the Model LS140L User Manual before using the phone.

SENA LS140L Telephone Information:

SENA Landline Cell Phone, Model LS140

Unbranded antenna with TNC connector for LS140L telephone, 6-wire unmarked RJ-11 cable for LS140L

SENA model telephone base

S130 phone headset

SENA Rechargeable Lithium-Ion Battery, LS140L model: 3.7 Vdc, 1000mAH,
AC / DC adapter, SENNA Brand, LS140L Model: Input 100-240Vac 50/60 Hz,
0.15A, Output: 5V, 500 mA

User Manual

Imported by:

SENA MEXICO S.A. DE C.V.

CARRETERA MEXICO-TOLUCA No. 5324, INT. PLANTA BAJA

COL. EL YAQUI, CUAJIMALPA DE MORELOS

CIUDAD DE MEXICO,

Mexico

WEB: WWW.SENWAMOBILE.COM

Twitter: @senwamobile

Facebook: SENNA mobile

Telephone: 01 800 01 SENNA (73692)

FCC Warning

15.19 Labeling requirements.

This device complies with part 15 of the FCC Rules. Operation is subject to the following two conditions: (1) This device may not cause harmful interference, and (2) this device must accept any interference received, including interference that may cause undesired operation.

15.21 Information to user.

Any Changes or modifications not expressly approved by the party responsible for compliance could void the user's authority to operate the equipment.

15.105 Information to the user.

Note: This equipment has been tested and found to comply with the limits for a Class B digital device, pursuant to part 15 of the FCC Rules. These limits are designed to provide reasonable protection against harmful interference in a residential installation. This equipment generates uses and can radiate radio frequency energy and, if not installed and used in accordance with the instructions, may cause harmful interference to radio communications. However, there is no guarantee that interference will not occur in a particular installation. If this equipment does cause harmful interference to radio or television reception, which can be determined by turning the equipment off and on, the user is encouraged to try to correct the interference by one or more of the following measures:

- Reorient or relocate the receiving antenna.
- Increase the separation between the equipment and receiver.
- Connect the equipment into an outlet on a circuit different from that to which the receiver is connected.
- Consult the dealer or an experienced radio/TV technician for help.

Absorption Rate (SAR) information:

This device meets the government's requirements for exposure to radio waves. The guidelines are based on standards that were developed by independent scientific organizations through periodic and thorough evaluation of scientific studies. The standards include a substantial safety margin designed to assure the safety of all persons regardless of age or health.

FCC RF Exposure Information and Statement The SAR limit of USA (FCC) is 1.6 W/kg averaged over one gram of tissue. The use of belt clips, holsters and similar accessories should not contain metallic components in its assembly. The use of accessories that do not satisfy these requirements may not comply with FCC RF exposure requirements, and should be avoided. Use only the supplied or an approved antenna. This device complies with RF specifications when the device used at 25mm from body.