



Excellence in Compliance Testing

Certification Exhibit

FCC ID: 2AA9WV360

IC: 11665A-V360

FCC Rule Part: 15.247, 15.407

IC Radio Standards Specification: RSS-210

ACS Project: 14-2101

Manufacturer: VSN Technologies, Inc.

Model: V360

User Manual



BASIC CARE

THE V.360° IS DESIGNED FOR ACTIVE LIFESTYLES. PROPER USE AND CARE OF THE V.360° IS ESSENTIAL FOR OPTIMAL PERFORMANCE TO KEEP THE CAMERA IN PROPER WORKING ORDER, MAKE SURE THE BATTERY DOOR IS PROPERLY INSTALLED TO PROVIDE A WATER-TIGHT SEAL. FAILURE TO DO SO WILL RESULT IN DAMAGE TO THE CAMERA.

CLEANING INSTRUCTIONS

CLEAN CAMERA WITH THE INCLUDED MICROFIBER POUCH OR A SOFT CLOTH OR TOWEL. THE USE OF CLEANING AGENTS INCLUDING ISOPROPYL ALCOHOL ARE NOT RECOMMENDED.

STORAGE

FOR BEST RESULTS, STORE YOUR CAMERA INSIDE THE INCLUDED MICROFIBER POUCH AT ROOM TEMPERATURE IN A CLEAN AND DRY AREA.

LEARN MORE

TO LEARN MORE ABOUT YOUR V.360° FEATURES AND SAFETY INFORMATION, PLEASE VISIT WWW.V360LIFE.COM

GETTING SUPPORT

PLEASE VISIT WWW.V360LIFE.COM/SUPPORT FOR DEVICE SUPPORT.

SOFTWARE UPDATES

TO ENSURE YOUR CAMERA HAS THE LATEST FEATURES, VISIT WWW.V360LIFE.COM TO DOWNLOAD AND INSTALL SOFTWARE UPDATES.

SD CARDS

ALL SD CARDS ARE NOT COMPATIBLE WITH THE V.360° CAMERA. FOR BEST RESULTS, PLEASE USE THE FOLLOWING SD CARD TYPES:

TYPE	SPEED	CAPACITY
MICROSDHC	CLASS 10, UHS-1 OR HIGHER	UP TO 128 GB
MICROSDXC	CLASS 10, UHS-1 OR HIGHER	UP TO 128 GB

WARRANTY

FOR DETAILS REFER TO FULL WARRANTY TERMS AND CONDITIONS FOUND AT WWW.V360LIFE.COM/SUPPORT

FOR A COPY OF THE WARRANTY TERMS & CONDITIONS, PLEASE SEND YOUR REQUEST TO: SUPPORT@VSNMOBIL.COM

TERMS AND CONDITIONS

THE USE OF V360° IS SUBJECT TO THE TERMS AND CONDITIONS FOUND AT WWW.V360LIFE.COM/TERMSANDCONDITIONS

TJ MARTELL FOUNDATION

VSN MOBIL IS A PROUD SUPPORTER AND SPONSOR OF THE T.J. MARTELL FOUNDATION. THE T.J. MARTELL FOUNDATION IS THE MUSIC INDUSTRY'S LARGEST FOUNDATION THAT FUNDS INNOVATIVE MEDICAL RESEARCH FOCUSED ON FINDING CURES FOR LEUKEMIA, CANCER AND AIDS. THE FOUNDATION SOURCES AND SUPPORTS EARLY-STAGE RESEARCH PROJECTS AIMED AT DEVELOPING MORE EFFECTIVE CLINICAL TREATMENTS FOR PATIENTS WHICH OTHERWISE MIGHT NOT BE FUNDED. FOR MORE INFORMATION, PLEASE VISIT WWW.TJMARTELL.ORG.

LEGAL

V.360° AND VSN MOBIL ARE TRADEMARKS OF VSN TECHNOLOGIES, INC. IPHONE, IPAD AND APP STORE ARE REGISTERED TRADEMARKS OF APPLE INC. ANDROID AND GOOGLE PLAY ARE TRADEMARKS OF GOOGLE INC. © 2014 VSN MOBIL. ALL RIGHTS RESERVED.

P/N: OV360001A

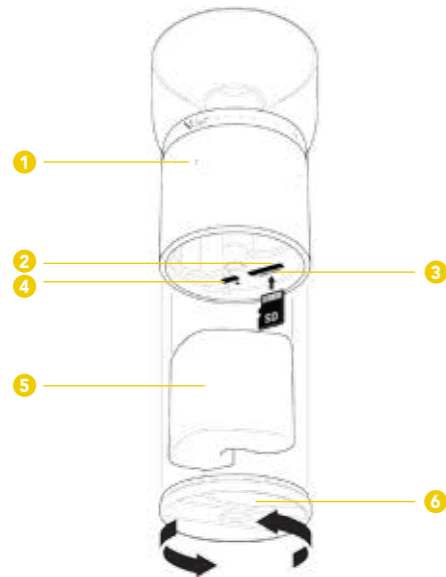




PLEASE READ THIS GUIDE BEFORE YOU USE THIS PRODUCT.

- 1 LED INDICATOR
- 2 USB 3.0 CHARGING PORT
- 3 SD CARD SLOT – A MICRO-SD CARD IS REQUIRED FOR OPERATION. INSERT SD CARD INTO SLOT. PRESS DOWN GENTLY TO LOCK INTO PLACE
- 4 HDMI PORT – CABLE NOT INCLUDED. USE OF FERRITE CORE HDMI CABLES IS HIGHLY RECOMMENDED
- 5 BATTERY:
 - INSERT BATTERY WITH THE PULL-TAB FACING DOWN
 - CHARGE FOR AT LEAST 2 HOURS PRIOR TO USE BY CONNECTING THE SUPPLIED USB 3.0 CABLE
 - YOUR CAMERA'S LED INDICATOR WILL TURN SOLID GREEN WHEN CHARGING IS COMPLETE
- 6 BATTERY DOOR:
 - TURN COUNTER CLOCKWISE TO UNLOCK
 - TO ATTACH, TURN CLOCKWISE TO LOCK IT INTO PLACE
 IMPORTANT: VERIFY THE BATTERY DOOR IS SEATED PROPERLY TO ENSURE THE CAMERA'S WATERTIGHT SEAL IS INTACT

ASSEMBLY



INITIAL SET UP

V.360° COMPANION APPLICATION

THE V.360° APPLICATION CONTROLS YOUR CAMERA VIA AN ANDROID™ OR IOS® SMARTPHONE OR TABLET.

TO GET STARTED, DOWNLOAD THE FREE V.360° COMPANION APPLICATION FROM GOOGLE PLAY™ OR THE APPLE APP STORE® AND INSTALL IT ONTO YOUR DEVICE.

IT IS RECOMMENDED THAT YOU PERSONALIZE YOUR CAMERA BY CHANGING THE DEFAULT CAMERA NAME AND PIN AFTER INITIAL SETUP.

CAMERA ON/OFF

THE CAMERA WILL TURN ON AUTOMATICALLY WHEN YOU CONNECT VIA THE V.360° APP. TO TURN YOUR CAMERA OFF, TOUCH THE GENERAL SETTINGS ICON ON YOUR APP AND SLIDE THE SWITCH NEXT TO POWER OFF CAMERA TO OFF.

CONNECT TO CAMERA

TO ESTABLISH A CONNECTION TO YOUR CAMERA USING A SMARTPHONE OR TABLET:

- (1) ENSURE THAT WIFI AND BLUETOOTH ARE ENABLED WITHIN THE SETTINGS MENU ON YOUR DEVICE.
- (2) LAUNCH THE V.360° COMPANION APPLICATION. YOUR DEVICE WILL AUTOMATICALLY SEARCH FOR AVAILABLE CAMERAS.
- (3) TOUCH THE CAMERA'S ICON TO ESTABLISH A CONNECTION VIA BLUETOOTH. THE CAMERA LED WILL RAPIDLY BLINK GREEN TO INDICATE THAT IT IS POWERING ON.
- (4) WHEN CAMERA IS ON AND IN READY MODE, THE LED WILL SLOWLY FLASH GREEN.
- (5) WHEN PROMPTED, ENTER THE DEFAULT PIN (0000) FOR YOUR CAMERA THE FIRST TIME YOU CONNECT TO YOUR CAMERA.
- (6) ONCE CONNECTED, THE APP WILL GUIDE YOU THROUGH INSTRUCTIONS TO ESTABLISH A CONNECTION TO YOUR CAMERA AS A WIFI HOST.
- (7) RE-LAUNCH THE V.360° APP AND TOUCH THE CAMERA ICON TO ESTABLISH A CONNECTION VIA WIFI

HOME SCREEN LAYOUT



* IMAGES ARE FOR REFERENCE ONLY.

- 1 BACK BUTTON – TOGGLE TO PREVIOUS SCREEN
- 2 SHOTGLASS VIEW FINDER – TOGGLE LEFT/RIGHT TO ROTATE, UP/DOWN TO SWITCH TO FLAT VIEW
- 3 MODE CAROUSEL – SCROLL LEFT/RIGHT TO SWITCH BETWEEN VIDEO, PHOTO, BURST, TIME LAPSE, & SURVEILLANCE MODES
- 4 SHUTTER BUTTON – START/STOP RECORDING, CAPTURE PHOTOS
- 5 MODE SPECIFIC SETTINGS TAB
- 6 REMOTE CONTROL TAB – ACCESS TO CAMERA CONTROLS/FEATURES
- 7 MEDIA GALLERY – DISPLAY STORED CONTENT (VIDEOS & PHOTOS)
- 8 SD CARD - REMAINING PHOTOS/VIDEO RECORD TIME
- 9 SD CARD - STORED PHOTOS/VIDEO COUNTER
- 10 LIVE STREAM VIEWER – ON/OFF
- 11 CAMERA BATTERY LIFE INDICATOR
- 12 GENERAL CAMERA SETTINGS

FCC NOTICE

V.360 FCC ID: 2AA9WV360

THIS DEVICE COMPLIES WITH PART 15 OF THE FCC RULES. OPERATION IS SUBJECT TO THE FOLLOWING TWO CONDITIONS.

- (1) THIS DEVICE MAY NOT CAUSE HARMFUL INTERFERENCE, AND**
- (2) THIS DEVICE MUST ACCEPT ANY INTERFERENCE RECEIVED, INCLUDING INTERFERENCE THAT MAY CAUSE UNDESIRE OPERATION.**

FOR CLASS B DEVICES:

“NOTE: This equipment has been tested and found to comply with the limits for a Class B digital device, pursuant to Part 15 of the FCC Rules. These limits are designed to provide reasonable protection against harmful interference in a residential installation. This equipment generates uses, and can radiate radio frequency energy and, if not installed and used in accordance with the instructions, may cause harmful interference to radio communications. However, there is no guarantee that interference will not occur in a particular installation. If this equipment does cause harmful interference to radio or television reception, which can be determined by turning the equipment off and on, the user is encouraged to try to correct the interference by one or more of the following measures:

Reorient or relocate the receiving antenna. Increase the separation between the equipment and receiver. Connect the equipment into an outlet on a circuit different from that to which the receiver is connected. Consult the dealer or an experienced radio/TV technician for help.”

RF Exposure

This equipment complies with FCC radiation exposure limits set forth for an uncontrolled environment. This equipment should be installed and operated with minimum distance 20cm between the radiator and your body. This transmitter must not be co-located or operating in conjunction with any other antenna or transmitter.

Warning: Changes or modifications to this device not expressly approved by VSN Mobil could void the user's authority to operate the equipment.



AVISO DE FCC

ESTE DISPOSITIVO CUMPLE CON LA PARTE 15 DE LAS REGLAS FCC.

LA OPERACIÓN ESTÁ SUJETA A LAS SIGUIENTES DOS CONDICIONES:

- 1) ESTE DISPOSITIVO NO PUEDE CAUSAR INTERFERENCIAS PERJUDICIALES; Y**
- 2) ESTE DISPOSITIVO DEBE ACEPTAR CUALQUIER INTERFERENCIA RECIBIDA, INCLUYENDO INTERFERENCIA QUE PUEDA CAUSAR UN FUNCIONAMIENTO NO DESEADO.**

Este dispositivo ha sido probado y cumple con los límites para un dispositivo digital clase B, conforme a la parte 15 de las Reglas FCC. Ver 47 CFR Sec. 15.105(b). Estos límites están diseñados para proporcionar una protección razonable contra interferencias dañinas en las instalaciones residenciales. Este equipo genera, utiliza y puede irradiar energía de radiofrecuencia y si no se instala y utiliza de acuerdo con las instrucciones, puede causar interferencias perjudiciales a las comunicaciones por radiofrecuencia. Sin embargo, no hay ninguna garantía de que no habrá interferencias en una instalación determinada. Si el equipo causa interferencia dañina a la recepción de radio o televisión, lo cual puede determinarse encendiendo y apagando el aparato, se recomienda al usuario que intente corregir la interferencia por uno o más de las siguientes medidas:

- 1) Reorientar o reubicar la antena receptora;
- 2) Aumentar la separación entre el equipo y el receptor;
- 3) Conectar el equipo a un tomacorriente de un circuito distinto al que está conectado el receptor; o 4) Consulte al distribuidor o un técnico experimentado en radio/TV para obtener ayuda.

EXPOSICIÓN RADIOELÉCTRICA

Este equipo cumple con los límites de exposición a la radiación de la FCC determinados para un entorno sin supervisión. Este equipo se debe instalar y operar a una distancia mínima de 20 cm entre el radiador y su cuerpo. Este transmisor no se debe colocar ni operar con ninguna otra antena o transmisor.

Advertencia: Este dispositivo no está diseñado para ser cambiado o modificado por el usuario. Cualquier cambio o modificación al dispositivo anulará la garantía y podría anular la autoridad del usuario para utilizar este dispositivo.

Industry Canada Notice

V.360

FCC ID: 2AA9WV360

IC: 11665A-V360

Under Industry Canada regulations, this radio transmitter may only operate using an antenna of a type and maximum (or lesser) gain approved for the transmitter by Industry Canada. To reduce potential radio interference to other users, the antenna type and its gain should be so chosen that the equivalent isotropically radiated power (e.i.r.p.) is not more than that necessary for successful communication.

Conformément à la réglementation d'Industrie Canada, le présent émetteur radio peut fonctionner avec une antenne d'un type et d'un gain maximal (ou inférieur) approuvé pour l'émetteur par Industrie Canada. Dans le but de réduire les risques de brouillage radioélectrique à l'intention des autres utilisateurs, il faut choisir le type d'antenne et son gain de sorte que la puissance isotrope rayonnée équivalente (p.i.r.e.) ne dépasse pas l'intensité nécessaire à l'établissement d'une communication satisfaisante.

This device complies with Industry Canada licence-exempt RSS standard(s). Operation is subject to the following two conditions: (1) this device may not cause interference, and (2) this device must accept any interference, including interference that may cause undesired operation of the device.

Le présent appareil est conforme aux CNR d'Industrie Canada applicables aux appareils radio exempts de licence. L'exploitation est autorisée aux deux conditions suivantes : (1) l'appareil ne doit pas produire de brouillage, et (2) l'utilisateur de l'appareil doit accepter tout brouillage radioélectrique subi, même si le brouillage est susceptible d'en compromettre le fonctionnement.

RF Exposure

Cet équipement est conforme aux limites d'exposition aux rayonnements définies par la FCC pour un environnement non contrôlé. Cet équipement est en contact direct avec le corps de l'utilisateur dans des conditions normales de fonctionnement. Cet émetteur ne doit pas être co-localisé ni fonctionner conjointement avec une autre antenne ou émetteur.

