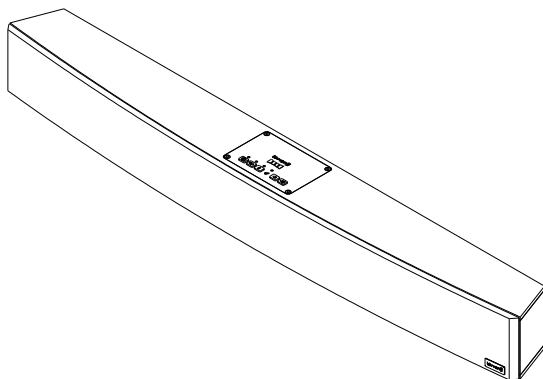


Levven Audio

SOUL BAR

Model Number: LA-SR50



Operating Instructions

A product by
levven™ 



Revised: 2018-11-09

TABLE OF CONTENTS

1	IMPORTANT SAFETY INSTRUCTIONS.....	3
2	BOX CONTENTS.....	5
3	GETTING STARTED	5
3.1	PRECAUTIONS	5
3.2	PLACEMENT	5
3.3	NOTABLE PRODUCT FEATURES	6
3.4	FRONT PANEL	7
3.5	AC POWER INPUT	9
3.6	POWER ON	9
4	USING SOUL BAR.....	10
4.1	MODES	10
4.2	CLUSTERING	10
4.3	TV SETUP	11
4.4	SETUP WITH AUDIO NOT FROM A TV	14
4.5	BLUETOOTH PAIRING	14
4.6	PHONE OR TABLET DEVICE SETUP.....	14
4.7	USING THE SKAA BOND BUTTON.....	15
4.8	PLAYING AUDIO FROM A PHONE OR TABLET DEVICE.....	15
4.9	PLAYING AUDIO FROM A MAC.....	16
4.10	PLAYING AUDIO FROM A WINDOWS PC	16
4.11	THE GREEN LIST.....	16
4.12	LISTEN TO A DIFFERENT SKAA TRANSMITTER	17
4.13	RESET / CLEAR ALL SETTINGS.....	17
4.14	USE WITH OTHER LEVVEN AUDIO RECEIVERS	17
5	TROUBLESHOOTING	19
6	SPECIFICATIONS	20
7	CERTIFICATIONS AND AGENCY APPROVALS	21
8	WARRANTY.....	22
9	FCC STATEMENT	23
10	INDUSTRY CANADA STATEMENT	24
11	CONTACT INFORMATION	25

1 **IMPORTANT SAFETY INSTRUCTIONS**

[mandatory safety warnings statements from agency]

	<p>This symbol is intended to alert you that uninsulated voltage within this product may have sufficient magnitude to cause electric shock. Therefore, it is dangerous to make any kind of contact with any inside part of this product.</p> <p>Ce symbole a pour but d'alerter toute personne qu'un contact avec une pièce interne de ce produit, sous tension et non isolée, pourrait être suffisant pour provoquer un choc électrique. Il est donc dangereux d'être en contact avec toute pièce interne de ce produit.</p>
	<p>This symbol is intended to alert you of the presence of important operating and maintenance (servicing) instructions in the literature accompanying this product.</p> <p>Ce symbole a pour but de vous avertir qu'une documentation importante sur le fonctionnement et l'entretien accompagne ce produit.</p>



TO PREVENT FIRE OR SHOCK HAZARD, DO NOT EXPOSE THIS APPLIANCE TO RAIN OR MOISTURE.
AFIN DE PREVENIR TOUT INCENDIE ET ELECTROCUTION, N'EXPOSEZ PAS CETTE UNITE A LA PLUIE ET L'HUMIDITE.



DOUBLE INSULATION
When servicing only
use identical parts

2 BOX CONTENTS

- (1) Soul Bar
- (1) AC Power cord
- (1) Operating instruction manual
- (2) Wall mounting brackets
- (4) Table-top soft feet
- (1) Accessories carton containing:
 - (1) SKAA Talisa Transmitter
 - (1) TOSLINK to 3.5mm optical cable
 - (1) RCA to 3.5mm coaxial cable
 - (1) 5V 1A USB power adapter
 - (1) adhesive strip

3 GETTING STARTED

Thank you for purchasing Soul Bar. This product is yours for an unlimited source of enjoyment. Soul Bar provides great audio performance with low noise, low distortion, and is the perfect sidekick to other Levven Audio products – for example, Soul Sub.

Soul Bar is easy to install and operate. If you have experience with other sound bars, you will find the installation and operation very simple and easy.

3.1 PRECAUTIONS

Please read this manual carefully. In addition to basic installation and operating instructions, it provides valuable information on various Soul Bar system configurations as well as general information that will help you get optimum performance from your system. Please contact your authorized Levven Audio dealer or retailer for answers to any questions you might have. In addition, all of us at Levven welcome your questions and comments.

3.2 PLACEMENT

There must be adequate clearance around the product. Use common sense when placing the product in a cabinet or when stacking other equipment.

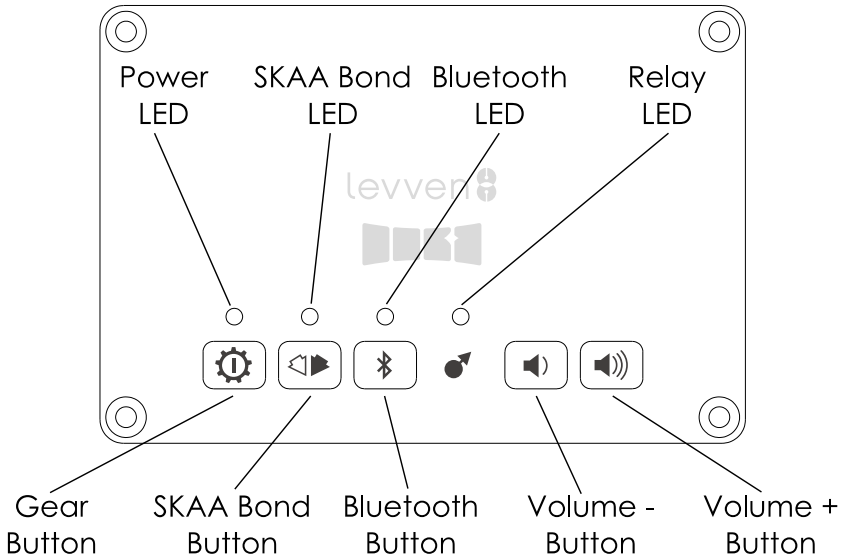
Likewise, remember the weight of the sound bar when you choose to mount it on a wall. Make sure that you use drywall anchors that can support its weight or screw into the building's structure. Again, please use common sense.

SKAA transmitters send audio to an 80-foot (25-metre) diameter. Install your Soul Bar inside this transmitting range. When deciding the best location for Soul Bar, include the distance needed to transmit from outside spaces like the back yard or patio. For optimum wireless reception range, mount your Soul Bar vertically on a wall. Installing it flat on a furniture stand will yield smaller wireless reception range.

3.3 NOTABLE PRODUCT FEATURES

- a) Soul Bar can receive audio from any Bluetooth device and play the audio to its internal speakers. This is called Bluetooth receive mode.
- b) Soul Bar can receive audio from any Bluetooth device, play the audio to its internal speakers, and rebroadcast the audio stream to up to 4 additional SKAA receivers. This is called Bluetooth relay mode.
- c) Soul Bar can receive audio from any SKAA transmitter and play the audio to its internal speakers. This is called SKAA receive mode.
- d) Soul Bar remembers your favorite Bluetooth devices. The Bluetooth paired list holds up to eight devices which have successfully paired with Soul Bar. Note that if you pair a ninth device, it will replace the device on the list which has least recently connected.
- e) Soul Bar remembers your favorite SKAA transmitters. The SKAA green list holds up to ten favorite transmitters.
- f) Soul Bar automatically enters a low power state when not in use. And wakes from its low power state when a SKAA transmitter connects, a Bluetooth device connects, or a button is pressed on the front panel.

3.4 FRONT PANEL



3.4.1 POWER LED

When on solid and bright, this red LED indicates Soul Bar is powered and awake. When this LED is off, it indicates Soul Bar is powered off. When on solid and dim, it indicates Soul Bar is in low power standby mode.

3.4.2 GEAR BUTTON



Hold this button to power off Soul Bar. Click this button to wake Soul Bar from off or standby state.

When Soul Bar is awake, click this button to cycle through the modes – SKAA receive, Bluetooth, Bluetooth relay. See section 4 for more details.

3.4.3 SKAA BOND LED

This red-green dual color LED indicates several states of the SKAA receiver. See section 4.7 for more details.

3.4.4 SKAA BOND BUTTON



This button allows several interactions with the SKAA receiver. See section 4.7 for more details.

3.4.5 BLUETOOTH LED

When on solid and bright, this blue LED indicates Soul Bar is in Bluetooth receive mode and has an active connection. When flashing, it indicates a Bluetooth pairing is in progress. When on solid and dim, it indicates Soul Bar is attempting to connect to a Bluetooth device.

3.4.6 BLUETOOTH BUTTON



Click this button to attempt a connection to a Bluetooth device. Hold this button for 2 to drop the active Bluetooth connection and enter the Bluetooth pairing state. A ten-second hold will clear the Bluetooth paired list and enter the Bluetooth pairing state.

3.4.7 RELAY LED



When on solid and bright, this blue LED indicates Soul Bar is in Bluetooth relay mode.

3.4.8 VOLUME DOWN (-) BUTTON



Click this button to decrease Soul Bar's receiver volume.

3.4.9 VOLUME UP (+) BUTTON



Click this button to increase Soul Bar's receiver volume.

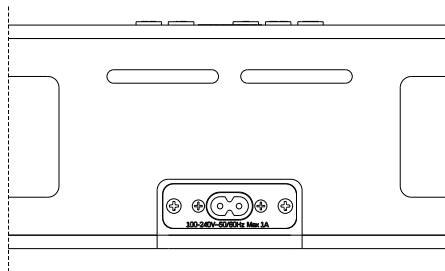
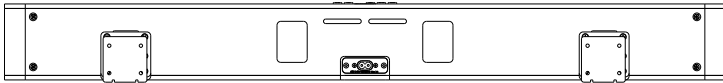
3.5 AC POWER INPUT

Soul Bar will operate between 90 – 270 AC line voltage with a line frequency of either 50 Hz or 60 Hz. There is no need to convert or adjust the unit in any way.

Note: If you are going to be away from home for an extended period such as a month-long vacation, it is a sensible precaution to unplug it (as well as other audio and video components) while you are away.

3.6 POWER ON

1. Install the power cord into Soul Bar.
2. Insert the power cord into an AC outlet.
3. The power LED will indicate that it is powered.
4. Press the gear button to bring the unit out of standby.
5. Either the SKAA Bond LED will be lit dimly or the Bluetooth LED will be lit dimly indicating the unit is ready to receive a wireless signal from a SKAA transmitter or Bluetooth device.



4 USING SOUL BAR

4.1 MODES

Soul Bar has 3 modes of operation. Click the gear button to cycle between modes.



1. SKAA Receive Mode

In this mode, Soul Bar will receive audio from any SKAA transmitter.

2. Bluetooth Receive Mode

In this mode, Soul Bar will receive audio from any Bluetooth device including smartphones, tablets, TVs, PCs, and many others. Soul Bar works as an ordinary Bluetooth speaker. Click the Bluetooth button to pair with your phone. Hold the Bluetooth button to clear the paired list.

3. Bluetooth Relay Mode

In this mode, Soul Bar works the same as Bluetooth receive mode and rebroadcasts the audio to up to 4 additional SKAA receivers.

4.2 CLUSTERING

Clustering is a way to synchronize the bonding and volume of multiple SKAA receivers. When these products are clustered together, any change in bond or volume happens to both products simultaneously. When clustered, they function as though they are a single device. One device behaves as the master of the cluster and any change in volume or bond to the master is reflected automatically to the slave devices.

4.2.1 CLUSTERING PROCEDURE

To cluster Soul Bar to another SKAA receiver with Soul Bar being the master and the other device being the slave, follow these steps:

- 1) Power off both devices.
- 2) Place the master within 6 feet (2 metres) of the slave.
- 3) Make sure all SKAA transmitters within 80 feet (25 metres) are powered off.
- 4) Power on the master by inserting the AC power cord into the AC power jack.

- 5) Click and hold the master's SKAA Bond button while at the same time clicking the master's standby button to bring the master out of standby. (Hold the SKAA Bond button down until the SKAA Bond LED begins to flash red).
- 6) The master's SKAA Bond LED will flash red.
- 7) Power on the slave.
- 8) Wait for the slave's red SKAA Bond LED to flash.
- 9) Wait for the slave's and the master's SKAA Bond LEDs to stop flashing (solid red).
- 10) Power off both devices.
- 11) Your devices are now clustered.

4.2.2 UN-CLUSTERING PROCEDURE

To un-cluster a master and slave so that each device acts independently for bonding and volume, follow these steps:

- 1) Power off both devices from their AC power switch.
- 2) Make sure all SKAA transmitters within 80 feet (25 metres) are powered off.
- 3) Power on the master by inserting the AC power cord into the AC power jack.
- 4) Click and hold the master's SKAA Bond button while at the same time clicking the master's standby button to bring the master out of standby. (Hold the SKAA Bond button down until the SKAA Bond LED begins to flash red).
- 5) The master's SKAA Bond LED will flash red.
- 6) Wait for the master's SKAA Bond LED to stop flashing (it will turn solid red).
- 7) Power off both devices.
- 8) Your devices are no longer clustered.

4.3 TV SETUP

[vector art of Talisa, IR port, LED, Velcro strip]

[vector art of TOSLINK optical port on TV]

[vector art of RCA SPDIF port on TV]

[vector art of USB port on TV, Talisa USB plug]

[vector art of 3.5mm plug on cable, Talisa 3.5mm jack]

Install the SKAA Talisa transmitter into your TV with these steps:

- a) Find a suitable location to permanently affix Talisa to the side or top of your TV.
 - i. Locate available USB ports on your TV. Or optionally, locate available power receptacles nearby.
 - ii. Locate any digital audio out ports on your TV. If your TV has a digital audio optical out - this is sometimes labeled as "digital audio out", optical, TOSLINK, or SPDIF. If your TV has a digital audio coax out - this is sometimes labelled as "digital audio out" or SPDIF and has an RCA connector.
 - iii. The IR port on Talisa will need to face the front of the TV to receive infrared signals from your TV's remote control. This allows you to change the volume coming from your TV's
 - iv. Consider the length of the USB cable from the Talisa SKAA transmitter to an available USB port on your TV. Note that the USB port on Talisa is for power only, and the included USB power adapter can be used if you do not have a USB port available on your TV.
 - v. Carefully place the included adhesive strip (hook and loop fastener) on the Talisa SKAA transmitter and to your TV in the location you selected.
- b) Test your power setup with Talisa:
 - i. Remove any cable installed in Talisa's 3.5mm jack.
 - ii. Power on Talisa. Insert Talisa's USB plug into your TV's USB port, or insert Talisa's USB plug into the supplied USB power adapter.
 - iii. Talisa's LED will cycle between lit for several seconds and unlit for 1 second.
 - iv. This confirms that your power setup for Talisa is good. Note that anytime you power on Talisa with no 3.5mm cable connected, it's LED will show this same pattern.
- c) Setup Talisa for use with your TV:
 - i. Insert the optical cable into your TV's optical port, or insert the coax cable into your TV's digital audio coax port.
 - ii. Power on Talisa. Insert Talisa's USB plug into your TV's USB port, or insert Talisa's USB plug into the supplied USB power adapter.
 - iii. Talisa's LED will remain unlit. Note that anytime you power on Talisa with a 3.5mm cable connected, it's LED will show this same pattern.
- d) Play some audio on your TV by watching a broadcast program or a streaming service.
- e) Put Soul Bar in SKAA receive mode.

- f) Double-click the bond button on Soul Bar. The Soul Bar's SKAA Bond LED status indicator should turn bright amber and you will hear your audio playing.
- g) Press and hold the bond button for 3 seconds to add your Talisa SKAA transmitter to Soul Bar's green list. The SKAA Bond LED will turn bright green.
- h) Press Soul Bar's bond button four times to put Soul Bar into swing mode. The SKAA Bond LED will turn bright red.

4.3.1 INFRARED REMOTE SETUP

Using your TV's infrared (IR) remote control, you can control the Talisa SKAA transmitter.

You can use your favorite infrared remote control with your Talisa SKAA transmitter thanks to its intelligent learning ability. This is useful when you want to control the audio volume output from your TV.

Follow these instructions to setup this feature:

- a) Get ready with your favorite infrared remote control.
- b) Remove any cable installed in Talisa's 3.5mm jack but keep it ready.
- c) Power on Talisa. Insert Talisa's USB plug into your TV's USB port, or insert Talisa's USB plug into the supplied USB power adapter.
- d) Wait for a few seconds until Talisa's LED is unlit.
- e) Quickly insert the 3.5mm cable – either optical or coax.
- f) Point your remote to the front of Talisa
- g) Press and release the following remote control buttons in order:
 - i. Volume Up
 - ii. Volume Down
 - iii. Mute
- h) After each press and release, Talisa's LED will briefly flash.
- i) After pressing mute on your remote control, Talisa's LED will stay on solid for 2 seconds, confirming the learning process is complete.
- j) Power cycle Talisa by removing the USB plug and plugging it back in.
- k) Enjoy using your remote to control Talisa's volume.

NOTE: If you make a mistake in learning the buttons on your remote simply perform the steps again.

4.4 SETUP WITH AUDIO NOT FROM A TV

You may prefer to setup Soul Bar when your audio comes not from your TV, but from your disc player, your cable box, your set top box (Amazon Fire TV TM, Roku TM or Apple TV TM), or your satellite box.

You can follow the same procedure as described in the previous section, but instead connect your Talisa SKAA transmitter to your preferred audio source.

4.5 BLUETOOTH PAIRING

Follow these instructions to setup this feature:

1. Set Soul Bar in Bluetooth receive or Bluetooth relay mode by clicking the gear button.



2. Start playing audio on the Bluetooth sending device.
3. Click the Bluetooth button.



4. Pair your Bluetooth device to Soul Bar.

For more information on pairing Bluetooth devices refer to your device's manual or support website.

4.6 PHONE OR TABLET DEVICE SETUP

Soul Bar can also play audio from any SKAA transmitter.

- a) Insert a SKAA transmitter into your device.
- b) Play some audio on your device.
- c) Double-click the SKAA Bond button on Soul Bar. The SKAA Bond LED will be lit bright amber and you will hear your audio playing on Soul Bar.



- d) Press and hold the SKAA Bond button for 3 seconds to add your SKAA transmitter to Soul Bar's green list. The SKAA Bond LED will be lit bright green.
- e) Press the bond button four times to put Soul Bar into swing mode. The LED will be lit bright red.

4.7 USING THE SKAA BOND BUTTON



Single-Click	Playing or waiting to play from a SKAA transmitter on the green list.	Amber (dim) = waiting Amber (bright) = playing
Double-Click	Playing or waiting to play from a SKAA transmitter that has not yet been added to the green list.	Green (dim) = waiting Green (bright) = playing
Hold	Add or remove a SKAA transmitter from the green list by pressing and holding the bond button for 4 seconds.	Amber to Green = added Favorite Red(flash) = deleted
4-Click	*RECOMMENDED: swing mode to play from any green-listed SKAA transmitter without manually pressing bond button each time.	Red (dim) = waiting Red (bright) = playing
6-Click	Clear the green list and reset volume settings.	Red (flash) = list reset

4.8 PLAYING AUDIO FROM A PHONE OR TABLET DEVICE

- a) Insert a SKAA transmitter into your smart device.
- b) Open the SKAA cmd app.
- c) Start playing audio on the device. At this point, the device is transmitting audio via the SKAA transmitter.
- d) If the SKAA transmitter is the only one transmitting and it has been added to the green list, then you will hear your audio playing.
- e) If the SKAA transmitter has not added to the green list, follow the instructions in previous sections to add your SKAA transmitter to the green list.
- f) If the SKAA transmitter is not the only one transmitting and your Soul Bar is playing audio from another source, follow the instructions ahead to hear audio from a different SKAA transmitter.

4.9 PLAYING AUDIO FROM A MAC

- a) Insert the Ursula SKAA transmitter into the Mac's USB port.
- b) Play some audio on the device.
- c) Click the Apple in the top left corner of the screen and choose "System Preferences".
- d) Click on "Sound".
- e) In the Sound settings screen, click the "Output" tab.
- f) Select "SKAA Transmitter" from the list of audio output devices.
- g) Adjust the volume to desired level.
- h) Play an audio file on your Mac and follow the green list process in Section 3.6 to add this Ursula SKAA transmitter to the green list.
- i) After you add Ursula to the green list, press the bond button four times to return Soul Bar into swing mode.

4.10 PLAYING AUDIO FROM A WINDOWS PC

- a) Insert the Ursula SKAA transmitter into the Windows device. It will automatically install the required drivers and enable wireless audio transmission.
- b) Play some audio on the device.
- c) Adjust the volume on the device to desired level.
- d) Follow Section 3.6 to add this Ursula SKAA transmitter to the green list.
- e) After you add the Ursula SKAA transmitter to the green list, press the bond button four times to return Soul Bar into swing mode.

4.11 THE GREEN LIST

Soul Bar can save a list of favorite SKAA transmitters in its green list. If a SKAA transmitter is not on the green list, Soul Bar may not play your audio.

- a) To add your SKAA transmitter to the green list, connect the SKAA transmitter to a device and start playing audio.
- b) The SKAA Bond LED on Soul Bar should be a dim amber or dim green to indicate that it is looking for new SKAA transmitters. Double click the SKAA Bond button on Soul Bar to search for the transmitting, non-favorite SKAA transmitter. The LED indicator will flash bright amber when it discovers the SKAA transmitter signal.
- c) When you hear your audio playing, press and hold the SKAA Bond button for four seconds to save your SKAA transmitter in the green list.
- d) The SKAA Bond LED will turn solid green to indicate audio is playing from the green list transmitter.
- e) After you add Ursula to the green list, press the bond button four times to return Soul Bar into swing mode.

4.11.1 TIPS WHEN USING THE GREEN LIST

- a) Soul Bar can save up to ten SKAA transmitters in its green list.
- b) Soul Bar will auto-add a SKAA transmitter to its green list if you play from it for 30 minutes.
- c) The SKAA cmd app identifies the available receivers your device can play to (via its SKAA transmitter). Go to the Apple App Store or Google Play Store and search "SKAA" to download the app.

4.11.2 SWING MODE

Swing mode is the easiest way to use a Levven Audio receiver when you have more than one SKAA transmitter in your space. After you add or remove a SKAA transmitter from a Soul Bar's green list, press the bond button four times to put that Soul Bar in swing mode. The LED status indicator will turn red. Now Soul Bar will automatically play from any transmitting SKAA transmitter in its green list without having to manually press the bond button. Disconnect the first SKAA transmitter when you want a Soul Bar to detect and play audio from a second SKAA transmitter.

4.12 LISTEN TO A DIFFERENT SKAA TRANSMITTER

What can you do if you want to listen to a different SKAA transmitter when another is already playing?

- a) The easiest way to change the SKAA transmitter you are listening to – power off or disconnect the SKAA transmitter from the first device, then connect and play from a second device.
- b) Activate swing mode so Soul Bar will automatically play from any transmitting SKAA transmitter in the green list.
- c) To manually control audio playback from Soul Bar:
 - i. Single-click the bond button to switch to the next transmitting favorite SKAA transmitter or
 - ii. Double-click on the bond button to switch to the next transmitting non-favorite SKAA transmitter.

4.13 RESET / CLEAR ALL SETTINGS

To clear all saved SKAA transmitters from the green list, press the bond button six times. The LED status indicator will flash red, Soul Bar's green list will be cleared, and volume settings reset. This lets you add new SKAA transmitters to the green list.

4.14 USE WITH OTHER LEVVEN AUDIO RECEIVERS

Soul Bar works well with other Levven Audio products like Soul Sub, Soul Play, AR5, and RE1. Check out the combinations on our website.

5 TROUBLESHOOTING

Mostly the issues in audio systems are result of poor or wrong connections, or improper control settings. If you encounter problems, isolate the area of difficulty, check the control settings, determine the cause of the fault and make the necessary changes. If you are unable to get sound from Soul Bar, refer to given suggestions for following conditions:

5.1.1 POWER LED IS NOT ON

No main power to Soul Bar. Check AC power connections at the amplifier and the AC outlet.

5.1.2 NO SOUND

If the product is getting AC power, but is producing no sound, check the Power LED. If Soul Bar's SKAA Bond LED is dim, it means that Soul Bar is seeking connection, check the following conditions,

- Is Soul Bar bonded to a wireless streaming device?
- Is the streaming device turned on?
- Is audio playing on the wireless streaming device?
- Is the streaming device on mute?
- Is the volume on the streaming device set too low?
- Is audio playing on the wired device?
- Is the volume on the wired device set too low?

Note: Soul Bar allows only one connection at a given time to play music. If a device is already bonded with Soul Bar and you are trying to play music from another source, disconnect the device which is currently bonded with Soul Bar before bonding the desired device with Soul Bar to play music.

If the SKAA Bond LED is on bright solid, it means Soul Bar has successfully bonded with a device, check all connections and control settings on associated components.

5.1.3 TROUBLE WITH SKAA

<https://skaa.com/tlc> can help you on issues with SKAA receivers, troubleshooting, SKAA transmitters, and the SKAA cmd app.

6 SPECIFICATIONS

Continuous Output Power	100 watts (50 watts per channel, 2 channels) at 6 ohms
Frequency Response	135 Hz to 20 KHz, -3dB
Efficiency	86 dB @1W/m
Max output	102 dB SPL at 1m each channel
Impedance	nominal 6 ohms
Woofer/ Medium Range driver	50mm long throw, 12 ohms nominal impedance each, 2 in parallel for each channel
Tweeter	20mm soft dome tweeter, 8 ohms nominal impedance
Input Power Requirements	Universal input 85V-264V 47Hz-63Hz, auto-configuring
Power Consumption	Maximum 150 watts
Radio working frequency range	2400 MHz to 2483.5 MHz
Radio maximum output power	15dBm
Dimensions (WxHxD)	980 X 90 X 90 mm
Weight (net)	3.5 kg
Power cord	Detachable, 2-conductor US, black

All specifications are accurate at the time of printing. Levven reserves the right to make improvements without notice.

7 CERTIFICATIONS AND AGENCY APPROVALS

- Conforms / Certified to UL/CSA/IEC/EN 62368-1
- FCC Part 15 Class B, IC ICES-003
- EN 55032:2015+AC:2016 EMC Emission Requirements
- EN 55035:2017 EMC Immunity requirements
- EN 61000-3-2:2014 EMC Part 3-2: Harmonic Current Limits
- EN 61000-3-3:2013 EMC Part 3-3: Voltage Change Limits
- EN 301 489-1 Ver. 2.1.1 EMC Part 1
- EN 301 489-17 Ver. 3.1.1 EMC Part 17
- EU power management to 2013 standards
- RoHS

FCC ID: 2AA9N-LASR50

Industry Canada ID: 11506A-LASR50

All specifications are accurate at the time of printing. Levven reserves the right to make improvements without notice.

8 WARRANTY

1-YEAR LIMITED WARRANTY

Levven Electronics Ltd. ("Levven") warrants that Soul Bar you have purchased shall be free of any defects in parts and workmanship if used under normal operating conditions for a period of one (1) year from the date of purchase, except this warranty shall apply only to the original purchaser.

PLEASE RETAIN YOUR SALES RECEIPT, AS IT IS YOUR PROOF OF PURCHASE COVERING YOUR LIMITED WARRANTY.

THIS WARRANTY IS VOID WITHOUT SUCH PROOF OF PURCHASE.

Defective units will be repaired or replaced without charge, at Levven's discretion, with a like or comparable product by the Dealer if presented with proof of purchase to the Authorized Levven Audio Dealer from whom Soul Bar was purchased. Any repair or service performed by any person or entity other than Levven is not covered by this limited warranty. Transportation costs are not included in this warranty. This limited warranty becomes void if the product has been damaged by alteration, misuse, accident, or neglect; or the product has been repaired or serviced by persons not authorized by Levven. THE FOREGOING CONSTITUTES THE ONLY WARRANTY MADE BY LEVVEN WITH RESPECT TO THE PRODUCT AND IS MADE EXPRESSLY IN LIEU OF ALL OTHER WARRANTIES EXPRESS OR IMPLIED. Any implied warranties, including without limitation, any implied warranties of merchantability or fitness for any particular purpose, imposed under state law are limited to the duration of this limited warranty. Some states do not allow limitations on how long an implied warranty lasts, so the above limitations may not be applicable to you.

This warranty is void if the Soul Bar enclosure has been opened.

LEVVEN ASSUMES NO LIABILITY FOR PROPERTY DAMAGE RESULTING FROM NEITHER FAILURE OF THIS PRODUCT NOR ANY LOSS OF INCOME, SATISFACTION OR DAMAGES ARISING FROM THE LOSS OF USE OF SAME DUE TO DEFECTS OR AVAILABILITY OF SAME DURING SERVICE.

NOTE: This warranty applies only to products purchased and serviced within the U.S.A. and Canada. Warranties outside these countries are as defined by the authorized Levven Audio Distributor for your country or region and may vary from the above in terms and/or length.

Thank you again! We hope you enjoy your Soul Bar. Visit <http://levven.com> and share your stories with us!

9 FCC STATEMENT

Any changes or modifications not expressly approved by the party responsible for compliance could void the user's authority to operate the equipment.

This equipment has been tested and found to comply with the limits for a Class B digital device, pursuant to Part 15 of the FCC Rules. These limits are designed to provide reasonable protection against harmful interference in a residential installation. This equipment generates uses and can radiate radio frequency energy and, if not installed and used in accordance with the instructions, may cause harmful interference to radio communications. However, there is no guarantee that interference will not occur in a particular installation. If this equipment does cause harmful interference to radio or television reception, which can be determined by turning the equipment off and on, the user is encouraged to try to correct the interference by one or more of the following measures:

- Reorient or relocate the receiving antenna.
- Increase the separation between the equipment and receiver.
- Connect the equipment into an outlet on a circuit different from that to which the receiver is connected.
- Consult the dealer or an experienced radio/TV technician for help.

This device complies with part 15 of the FCC Rules. Operation is subject to the following two conditions:

- 1) This device may not cause harmful interference, and
- 2) this device must accept any interference received, including interference that may cause undesired operation.

Changes or modifications not expressly approved by the party responsible for compliance could void the user's authority to operate the equipment. This equipment complies with FCC radiation exposure limits set forth for an uncontrolled environment.

This equipment should be installed and operated with minimum distance 20cm between the radiator and your body.

10 INDUSTRY CANADA STATEMENT

This device complies with Industry Canada licence-exempt RSS standard(s).

Operation is subject to the following two conditions:

- 1) This device may not cause interference, and
- 2) This device must accept any interference, including interference that may cause undesired operation of the device.

Le présent appareil est conforme aux CNR d'Industrie Canada applicables aux appareils radio exempts de licence. L'exploitation est autorisée aux deux conditions suivantes:

- 1) l'appareil ne doit pas produire de brouillage, et
- 2) l'utilisateur de l'appareil doit accepter tout brouillage radioélectrique subi, même si le brouillage est susceptible d'en compromettre le fonctionnement.

11 CONTACT INFORMATION

Leven
9741 – 54 Ave
Edmonton, Alberta T6E 5J4
Canada

Leven Audio customer service:
+1 (780) 391-3000

