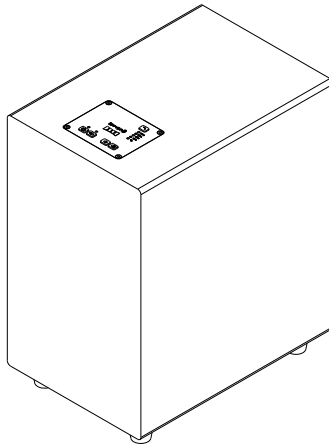


**Levven Audio**

# **SOUL SUB**

**Model Number: LA-SB100**



## **Operating Instructions**

A product by  
**levven** 

Revised: 2018-11-09



# TABLE OF CONTENTS

<b>1</b>	<b>IMPORTANT SAFETY INSTRUCTIONS</b> .....	<b>3</b>
<b>2</b>	<b>BOX CONTENTS</b> .....	<b>5</b>
<b>3</b>	<b>GETTING STARTED</b> .....	<b>5</b>
3.1	PRECAUTIONS .....	5
3.2	PLACEMENT .....	5
3.3	FRONT PANEL .....	6
3.4	AC POWER INPUT .....	7
3.5	POWER ON .....	8
<b>4</b>	<b>USING SOUL SUB</b> .....	<b>8</b>
4.1	CLUSTERING .....	8
4.2	TV SETUP .....	9
4.3	SETUP WITH AUDIO NOT FROM A TV .....	12
4.4	PHONE OR TABLET DEVICE SETUP.....	12
4.5	USING THE SKAA BOND BUTTON.....	12
4.6	PLAYING AUDIO FROM A PHONE OR TABLET DEVICE .....	13
4.7	PLAYING AUDIO FROM A MAC.....	13
4.8	PLAYING AUDIO FROM A WINDOWS PC .....	13
4.9	THE GREEN LIST .....	13
4.10	LISTEN TO A DIFFERENT SKAA TRANSMITTER .....	14
4.11	RESET / CLEAR ALL SETTINGS.....	15
4.12	USE WITH OTHER LEVVEN AUDIO RECEIVERS .....	15
<b>5</b>	<b>TROUBLESHOOTING</b> .....	<b>16</b>
<b>6</b>	<b>SPECIFICATIONS</b> .....	<b>17</b>
<b>7</b>	<b>CERTIFICATIONS AND AGENCY APPROVALS</b> .....	<b>18</b>
<b>8</b>	<b>WARRANTY</b> .....	<b>19</b>
<b>9</b>	<b>FCC STATEMENT</b> .....	<b>20</b>
<b>10</b>	<b>INDUSTRY CANADA STATEMENT</b> .....	<b>21</b>
<b>11</b>	<b>CONTACT INFORMATION</b> .....	<b>22</b>

# 1 IMPORTANT SAFETY INSTRUCTIONS

---

[mandatory safety warnings statements from agency]

	<p>This symbol is intended to alert you that uninsulated voltage within this product may have sufficient magnitude to cause electric shock. Therefore, it is dangerous to make any kind of contact with any inside part of this product.</p> <p>Ce symbole a pour but d'alerter toute personne qu'un contact avec une pièce interne de ce produit, sous tension et non isolée, pourrait être suffisant pour provoquer un choc électrique. Il est donc dangereux d'être en contact avec toute pièce interne de ce produit.</p>
	<p>This symbol is intended to alert you of the presence of important operating and maintenance (servicing) instructions in the literature accompanying this product.</p> <p>Ce symbole a pour but de vous avertir qu'une documentation importante sur le fonctionnement et l'entretien accompagne ce produit.</p>



TO PREVENT FIRE OR SHOCK HAZARD, DO NOT EXPOSE THIS APPLIANCE TO RAIN OR MOISTURE.  
AFIN DE PREVENIR TOUT INCENDIE ET ELECTROCUTION, N'EXPOSEZ PAS CETTE UNITE A LA PLUIE ET L'HUMIDITE.



DOUBLE INSULATION  
When servicing only  
use identical parts

## 2 BOX CONTENTS

---

- (1) Soul Sub
- (1) AC Power cord
- (1) Operating instruction manual

## 3 GETTING STARTED

---

Thank you for purchasing the Soul Sub. This product is your buddy for unlimited source of enjoyment. Soul Sub provides great audio performance including an 8-inch down-firing subwoofer, low noise, low distortion, and is the perfect sidekick to other Levven Audio products – for example, Soul Bar.

Soul Sub is easy to install and operate. If you have experience with other subwoofers, you will find the installation and operation very simple and easy.

### 3.1 PRECAUTIONS

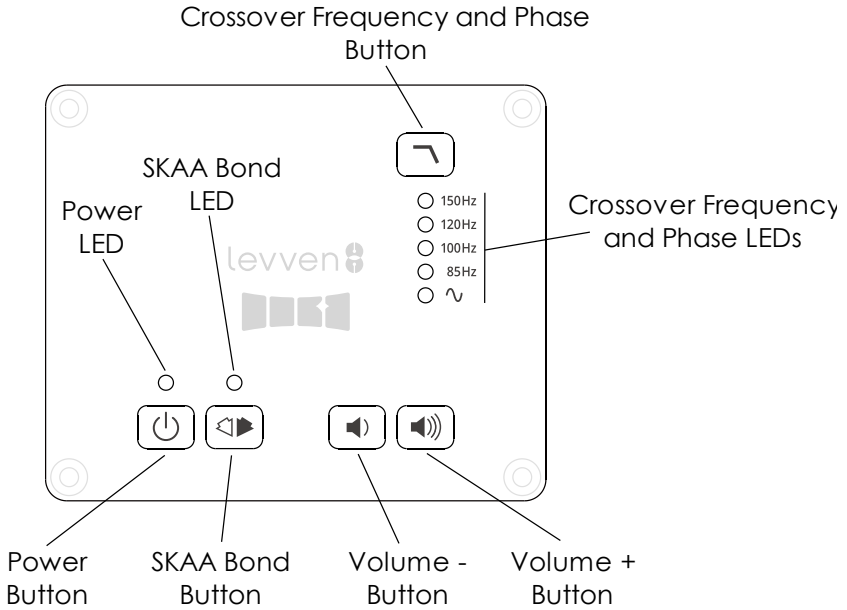
Please read this manual carefully. In addition to basic installation and operating instructions, it provides valuable information on various Soul Sub system configurations as well as general information that will help you get optimum performance from your system. Please contact your authorized Levven Audio dealer or retailer for answers to any questions you might have. In addition, all of us at Levven welcome your questions and comments.

### 3.2 PLACEMENT

There must be adequate clearance around the product. Use common sense when placing the product in a cabinet or when stacking other equipment. We recommend placing Soul Sub on the floor and 6-inches (15cm) from any wall.

The wireless SKAA transmitters transmit out to an 80-foot (25-metre) diameter. When deciding the best location for Soul Sub, include the distance needed to transmit from outside spaces like the back yard or patio. For optimum wireless reception range, mount your Soul Sub vertically on a wall. Installing it flat on a furniture stand will yield smaller wireless reception range.

### 3.3 FRONT PANEL



#### 3.3.1 POWER LED

When on solid and bright, this red LED indicates Soul Sub is powered and awake. When this LED is off, it indicates Soul Sub is powered off. When on solid and dim, it indicates Soul Sub is in low power standby mode.

#### 3.3.2 POWER BUTTON



Hold this button to power off Soul Sub. Click this button to wake Soul Sub from off or standby state.

#### 3.3.3 SKAA BOND LED

This red-green dual color LED indicates several states of the SKAA receiver. See section 4.5 for more details.

### 3.3.4 SKAA BOND BUTTON



This button allows several interactions with the SKAA receiver. See section 4.5 for more details.

### 3.3.5 VOLUME DOWN (-) BUTTON



Click this button to decrease Soul Sub's receiver volume.

### 3.3.6 VOLUME UP (+) BUTTON



Click this button to increase Soul Sub's receiver volume.

### 3.3.7 CROSSOVER FREQUENCY AND PHASE BUTTON



- 150Hz
- 120Hz
- 100Hz
- 85Hz
- ~

Click this button to adjust the crossover frequency. One click cycles to the next frequency setting. A lower frequency setting will send fewer high frequencies through the subwoofer. This adjustment allows you to tailor the sound to fit the room in which Soul Sub is installed.

Hold this button to adjust the phase of the subwoofer.

## 3.4 AC POWER INPUT

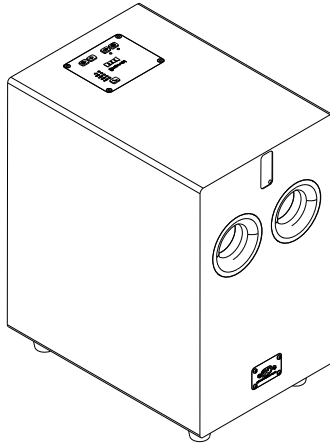
Simply connect the supplied power cord to the AC outlet.

Your Soul Sub will operate between 90 – 270 AC line voltage with a line frequency of either 50 Hz or 60 Hz. There is no need to convert or adjust the unit in any way.

---

Note: If you are going to be away from home for an extended period such as a month-long vacation, it is a sensible precaution to unplug it (as well as other audio and video components) while you are away.

---



### 3.5 POWER ON

1. Install the power cord into Soul Sub.
2. Insert the power cord into an AC outlet.
3. Press the power button to bring the unit out of standby.
4. The power LED will light indicating the unit is ready to receive a wireless signal from a SKAA transmitter.

## 4 USING SOUL SUB

---

### 4.1 CLUSTERING

Clustering is a way to synchronize the bonding and volume of multiple SKAA receivers. When these products are clustered together, any change in bond or volume happens to both products simultaneously. When clustered, they function as though they are a single device. One device behaves as the master of the cluster and any change in volume or bond to the master is reflected automatically to the slave devices.



#### 4.1.1 CLUSTERING PROCEDURE

To cluster Soul Sub to another device with the other device being the master and Soul Sub being the slave, follow these steps:

- 1) Power off both devices.
- 2) Place the master within 6 feet (2 metres) of the slave.
- 3) Make sure all SKAA transmitters within 80 feet (25 metres) are powered off.
- 4) Power on the master by inserting the AC power cord into the AC power jack.
- 5) Click and hold the master's SKAA Bond button while at the same time clicking the master's standby button to bring the master out of standby. (Hold the SKAA Bond button down until the SKAA Bond LED begins to flash red).
- 6) The master's SKAA Bond LED will flash red.
- 7) Power on the slave.
- 8) Wait for the slave's red SKAA Bond LED to flash.
- 9) Wait for the slave's and the master's SKAA Bond LEDs to stop flashing (solid red).
- 10) Power off both devices.
- 11) Your devices are now clustered.

#### 4.1.2 UN-CLUSTERING PROCEDURE

To un-cluster a master and slave so that each device acts independently for bonding and volume, follow these steps:

- 1) Power off both devices from their AC power switch.
- 2) Make sure all SKAA transmitters within 80 feet (25 metres) are powered off.
- 3) Power on the master by inserting the AC power cord into the AC power jack.
- 4) Click and hold the master's SKAA Bond button while at the same time clicking the master's standby button to bring the master out of standby. (Hold the SKAA Bond button down until the SKAA Bond LED begins to flash red).
- 5) The master's SKAA Bond LED will flash red.
- 6) Wait for the master's SKAA Bond LED to stop flashing (it will turn solid red).
- 7) Power off both devices.
- 8) Your devices are no longer clustered.

## 4.2 TV SETUP

[vector art of Talisa, IR port, LED, Velcro strip]

[vector art of TOSLINK optical port on TV]

[vector art of RCA SPDIF port on TV]

[vector art of USB port on TV, Talisa USB plug]

[vector art of 3.5mm plug on cable, Talisa 3.5mm jack]

Install the SKAA Talisa transmitter into your TV with these steps:

- a) Find a suitable location to permanently affix Talisa to the side or top of your TV.
  - i. Locate available USB ports on your TV. Or optionally, locate available power receptacles nearby.
  - ii. Locate any digital audio out ports on your TV. If your TV has a digital audio optical out - this is sometimes labelled as "digital audio out", optical, TOSLINK, or SPDIF. If your TV has a digital audio coax out - this is sometimes labelled as "digital audio out" or SPDIF and has an RCA connector.
  - iii. The IR port on Talisa will need to face the front of the TV to receive infrared signals from your TV's remote control. This allows you to change the volume coming from your TV's
  - iv. Consider the length of the USB cable from the Talisa SKAA transmitter to an available USB port on your TV. Note that the USB port on Talisa is for power only, and the included USB power adapter can be used if you do not have a USB port available on your TV.
  - v. Carefully place the included adhesive strip (hook and loop fastener) on the Talisa SKAA transmitter and to your TV in the location you selected.
- b) Test your power setup with Talisa:
  - i. Remove any cable installed in Talisa's 3.5mm jack.
  - ii. Power on Talisa. Insert Talisa's USB plug into your TV's USB port, or insert Talisa's USB plug into the supplied USB power adapter.
  - iii. Talisa's LED will cycle between lit for several seconds and unlit for 1 second.
  - iv. This confirms that your power setup for Talisa is good. Note that anytime you power on Talisa with no 3.5mm cable connected, it's LED will show this same pattern.
- c) Setup Talisa for use with your TV:
  - i. Insert the optical cable into your TV's optical port or insert the coax cable into your TV's digital audio coax port.
  - ii. Power on Talisa. Insert Talisa's USB plug into your TV's USB port, or insert Talisa's USB plug into the supplied USB power adapter.

- iii. Talisa's LED will remain unlit. Note that anytime you power on Talisa with a 3.5mm cable connected, it's LED will show this same pattern.
- d) Play some audio on your TV by watching a broadcast program or a streaming service.
- e) Put Soul Sub in SKAA receive mode.
- f) Double-click the bond button on Soul Sub. The Soul Sub's SKAA Bond LED status indicator should turn bright amber and you will hear your audio playing.
- g) Press and hold the bond button for 3 seconds to add your Talisa SKAA transmitter to Soul Sub's green list. The SKAA Bond LED will turn bright green.
- h) Press Soul Sub's bond button four times to put Soul Sub into swing mode. The SKAA Bond LED will turn bright red.

#### 4.2.1 INFRARED REMOTE SETUP

Using your TV's infrared (IR) remote control, you can control the Talisa SKAA transmitter.

You can use your favorite infrared remote control with your Talisa SKAA transmitter thanks to its intelligent learning ability. This is useful when you want to control the audio volume output from your TV.

Follow these instructions to setup this feature:

- a) Get ready with your favorite infrared remote control.
- b) Remove any cable installed in Talisa's 3.5mm jack but keep it ready.
- c) Power on Talisa. Insert Talisa's USB plug into your TV's USB port, or insert Talisa's USB plug into the supplied USB power adapter.
- d) Wait for a few seconds until Talisa's LED is unlit.
- e) Quickly insert the 3.5mm cable – either optical or coax.
- f) Point your remote to the front of Talisa
- g) Press and release the following remote-control buttons in order:
  - i. Volume Up
  - ii. Volume Down
  - iii. Mute
- h) After each press and release, Talisa's LED will briefly flash.
- i) After pressing mute on your remote control, Talisa's LED will stay on solid for 2 seconds, confirming the learning process is complete.
- j) Power cycle Talisa by removing the USB plug and plugging it back in.
- k) Enjoy using your remote to control Talisa's volume.

NOTE: If you make a mistake in learning the buttons on your remote simply perform the steps again.

### 4.3 SETUP WITH AUDIO NOT FROM A TV

You may prefer to setup Soul Sub when your audio comes not from your TV, but from your disc player, your cable box, your set top box (Amazon Fire TV TM, Roku TM or Apple TV TM), or your satellite box.

You can follow the same procedure as described in the previous section, but instead connect your Talisa SKAA transmitter to your preferred audio source.

### 4.4 PHONE OR TABLET DEVICE SETUP

Soul Sub can also play audio from any SKAA transmitter.

- a) Insert a SKAA transmitter into your device.
- b) Play some audio on your device.
- c) Double-click the bond button on Soul Sub. The SKAA Bond LED will be lit bright amber and you will hear your audio playing.
- d) Press and hold the bond button for 3 seconds to add your SKAA transmitter to Soul Sub's green list. The SKAA Bond LED will be lit bright green.
- e) Press the bond button four times to put Soul Sub into swing mode. The LED will be lit bright red.

### 4.5 USING THE SKAA BOND BUTTON

Single-Click	Playing or waiting to play from a SKAA transmitter on the green list.	Amber (dim) = waiting Amber (bright) = playing
Double-Click	Playing or waiting to play from a SKAA transmitter that has not yet been added to the green list.	Green (dim) = waiting Green (bright) = playing
Hold	Add or remove a SKAA transmitter from the green list by pressing and holding the bond button for 4 seconds.	Amber to Green = added Favorite Red(flash) = deleted
4-Click	*RECOMMENDED: swing mode to play from any green-listed SKAA transmitter without manually pressing bond button each time.	Red (dim) = waiting Red (bright) = playing
6-Click	Clear the green list and reset volume settings.	Red (flash) = list reset

## **4.6 PLAYING AUDIO FROM A PHONE OR TABLET DEVICE**

- a) Insert a SKAA transmitter into your smart device.
- b) Open the SKAA cmd app.
- c) Start playing audio on the device. At this point, the device is transmitting audio via the SKAA transmitter.
- d) If the SKAA transmitter is the only one transmitting and it has been added to the green list, then you will hear your audio playing.
- e) If the SKAA transmitter has not added to the green list, follow the instructions in previous sections to add your SKAA transmitter to the green list.
- f) If the SKAA transmitter is not the only one transmitting and your Soul Sub is playing audio from another source, follow the instructions ahead to hear audio from a different SKAA transmitter.

## **4.7 PLAYING AUDIO FROM A MAC**

- a) Insert the Ursula SKAA transmitter into the Mac's USB port.
- b) Play some audio on the device.
- c) Click the Apple in the top left corner of the screen and choose "System Preferences".
- d) Click on "Sound".
- e) In the Sound settings screen, click the "Output" tab.
- f) Select "SKAA Transmitter" from the list of audio output devices.
- g) Adjust the volume to desired level.
- h) Play an audio file on your Mac and follow the green list process in Section 3.6 to add this Ursula SKAA transmitter to the green list.
- i) After you add Ursula to the green list, press the bond button four times to return Soul Sub into swing mode.

## **4.8 PLAYING AUDIO FROM A WINDOWS PC**

- a) Insert the Ursula SKAA transmitter into the Windows device. It will automatically install the required drivers and enable wireless audio transmission.
- b) Play some audio on the device.
- c) Adjust the volume on the device to desired level.
- d) Follow Section 3.6 to add this Ursula SKAA transmitter to the green list.
- e) After you add the Ursula SKAA transmitter to the green list, press the bond button four times to return Soul Sub into swing mode.

## **4.9 THE GREEN LIST**

Soul Sub can save a list of favorite SKAA transmitters in its green list. If a SKAA transmitter is not on the green list, Soul Sub may not play your audio.

- a) To add your SKAA transmitter to the green list, connect the SKAA transmitter to a device and start playing audio.
- b) The SKAA Bond LED on Soul Sub should be a dim amber or dim green to indicate that it is looking for new SKAA transmitters. Double click the SKAA Bond button on Soul Sub to search for the transmitting, non-favorite SKAA transmitter. The LED indicator will flash bright amber when it discovers the SKAA transmitter signal.
- c) When you hear your audio playing, press and hold the SKAA bond button for four seconds to save your SKAA transmitter in the green list.
- d) The SKAA Bond LED will turn solid green to indicate audio is playing from the green list transmitter.
- e) After you add Ursula to the green list, press the bond button four times to return Soul Sub into swing mode.

#### 4.9.1 TIPS WHEN USING THE GREEN LIST

- a) Soul Sub can save up to ten SKAA transmitters in its green list.
- b) Soul Sub will auto-add a SKAA transmitter to its green list if you play from it for 30 minutes.
- c) The SKAA cmd app identifies the available receivers your device can play to (via its SKAA transmitter). Go to the Apple App Store or Google Play Store and search "SKAA" to download the app.

#### 4.9.2 SWING MODE

Swing mode is the easiest way to use a Levven Audio receiver when you have more than one SKAA transmitter in your space. After you add or remove a SKAA transmitter from a Soul Sub's green list, press the bond button four times to put that Soul Sub in swing mode. The LED status indicator will turn red. Now Soul Sub will automatically play from any transmitting SKAA transmitter in its green list without having to manually press the bond button. Disconnect the first SKAA transmitter when you want a Soul Sub to detect and play audio from a second SKAA transmitter.

### 4.10 LISTEN TO A DIFFERENT SKAA TRANSMITTER

What can you do if you want to listen to a different SKAA transmitter when another is already playing?

- a) The easiest way to change the SKAA transmitter you are listening to – power off or disconnect the SKAA transmitter from the first device, then connect and play from a second device.
- b) Activate swing mode so Soul Sub will automatically play from any transmitting SKAA transmitter in the green list.
- c) To manually control audio playback from Soul Sub:

- i. Single-click the bond button to switch to the next transmitting favorite SKAA transmitter or
- ii. Double-click on the bond button to switch to the next transmitting non-favorite SKAA transmitter.

#### **4.11 RESET / CLEAR ALL SETTINGS**

To clear all saved SKAA transmitters from the green list, press the bond button six times. The LED status indicator will flash red, Soul Sub's green list will be cleared, and volume settings reset. This lets you add new SKAA transmitters to the green list.

#### **4.12 USE WITH OTHER LEVVEN AUDIO RECEIVERS**

Soul Sub works well with other Levven Audio products like Soul Sub, Soul Play, AR5, and RE1. Check out the combinations on our website.

## 5 TROUBLESHOOTING

---

Mostly the issues in audio systems are result of poor or wrong connections, or improper control settings. If you encounter problems, isolate the area of difficulty, check the control settings, determine the cause of the fault and make the necessary changes. If you are unable to get sound from Soul Sub, refer to given suggestions for following conditions:

### 5.1.1 STANDBY LED IS NOT ON

No main power to Soul Sub. Check AC power connections at the amplifier and the AC outlet.

### 5.1.2 NO SOUND

If the product is getting AC power, but is producing no sound, check the Power LED. If Soul Sub's SKAA Bond LED is dim, it means that Soul Sub is seeking connection, check the following conditions,

- Is Soul Sub bonded to a wireless streaming device?
- Is the streaming device turned on?
- Is audio playing on the wireless streaming device?
- Is the streaming device on mute?
- Is the volume on the streaming device set too low?
- Is audio playing on the wired device?
- Is the volume on the wired device set too low?

Note: Soul Sub allows only one connection at a given time to play music. If a device is already bonded with Soul Sub and you are trying to play music from another source, disconnect the device which is currently bonded with Soul Sub before bonding the desired device with Soul Sub to play music.

If the SKAA Bond LED is on bright solid, it means Soul Sub has successfully bonded with a device, check all connections and control settings on associated components.

### 5.1.3 TROUBLE WITH SKAA

<https://skaa.com/tlc> can help you on issues with SKAA receivers, troubleshooting, SKAA transmitters, and the SKAA cmd app.



## 6 SPECIFICATIONS

---

Continuous Output Power	100 watts, 1% THD+N @ 4 Ohms
Max Ambient Noise	5 mV, 20Hz to 5KHz
Frequency Response	35 Hz to 200 Hz, -3dB
Impedance	nominal 4 ohms
Woofer	200mm (8-in) long throw, ported
Input Power Requirements	Universal input 85V-264V 47Hz-63Hz, auto-configuring
Power Consumption	Maximum 150 watts
Radio working frequency range	2400 MHz to 2483.5 MHz
Radio maximum output power	15 dBm
Dimensions (WxHxD)	362 X 261 X 405 mm (plus 30mm feet)
Weight (net)	6.5 kg
Power cord	Detachable, 2-conductor US, black

All specifications are accurate at the time of printing. Levven reserves the right to make improvements without notice.

## 7 CERTIFICATIONS AND AGENCY APPROVALS

---

- Conforms / Certified to UL/CSA/IEC/EN 62368-1
- FCC Part 15 Class B, IC ICES-003
- EN 55032:2015+AC:2016 EMC Emission Requirements
- EN 55035:2017 EMC Immunity requirements
- EN 61000-3-2:2014 EMC Part 3-2: Harmonic Current Limits
- EN 61000-3-3:2013 EMC Part 3-3: Voltage Change Limits
- EN 301 489-1 Ver. 2.1.1 EMC Part 1
- EN 301 489-17 Ver. 3.1.1 EMC Part 17
- EU power management to 2013 standards
- RoHS

FCC ID: 2AA9N-LASB100

Industry Canada ID: 11506A-LASB100

All specifications are accurate at the time of printing. Levven reserves the right to make improvements without notice.



## 8 WARRANTY

---

### 1-YEAR LIMITED WARRANTY

Levven Electronics Ltd. ("Levven") warrants that Soul Sub you have purchased shall be free of any defects in parts and workmanship if used under normal operating conditions for a period of one (1) year from the date of purchase, except this warranty shall apply only to the original purchaser.

PLEASE RETAIN YOUR SALES RECEIPT, AS IT IS YOUR PROOF OF PURCHASE COVERING YOUR LIMITED WARRANTY.

THIS WARRANTY IS VOID WITHOUT SUCH PROOF OF PURCHASE.

Defective units will be repaired or replaced without charge, at Levven's discretion, with a like or comparable product by the Dealer if presented with proof of purchase to the Authorized Levven Audio Dealer from whom Soul Sub was purchased. Any repair or service performed by any person or entity other than Levven is not covered by this limited warranty. Transportation costs are not included in this warranty. This limited warranty becomes void if the product has been damaged by alteration, misuse, accident, or neglect; or the product has been repaired or serviced by persons not authorized by Levven. THE FOREGOING CONSTITUTES THE ONLY WARRANTY MADE BY LEVVEN WITH RESPECT TO THE PRODUCT AND IS MADE EXPRESSLY IN LIEU OF ALL OTHER WARRANTIES EXPRESS OR IMPLIED. Any implied warranties, including without limitation, any implied warranties of merchantability or fitness for any particular purpose, imposed under state law are limited to the duration of this limited warranty. Some states do not allow limitations on how long an implied warranty lasts, so the above limitations may not be applicable to you.

This warranty is void if the Soul Sub enclosure has been opened.

LEVVEN ASSUMES NO LIABILITY FOR PROPERTY DAMAGE RESULTING FROM NEITHER FAILURE OF THIS PRODUCT NOR ANY LOSS OF INCOME, SATISFACTION OR DAMAGES ARISING FROM THE LOSS OF USE OF SAME DUE TO DEFECTS OR AVAILABILITY OF SAME DURING SERVICE.

NOTE: This warranty applies only to products purchased and serviced within the U.S.A. and Canada. Warranties outside these countries are as defined by the authorized Levven Audio Distributor for your country or region and may vary from the above in terms and/or length.

Thank you again! We hope you enjoy your Soul Sub. Visit <http://levven.com> and share your stories with us!

## 9 FCC STATEMENT

---

Any changes or modifications not expressly approved by the party responsible for compliance could void the user's authority to operate the equipment.

This equipment has been tested and found to comply with the limits for a Class B digital device, pursuant to Part 15 of the FCC Rules. These limits are designed to provide reasonable protection against harmful interference in a residential installation. This equipment generates uses and can radiate radio frequency energy and, if not installed and used in accordance with the instructions, may cause harmful interference to radio communications. However, there is no guarantee that interference will not occur in a particular installation. If this equipment does cause harmful interference to radio or television reception, which can be determined by turning the equipment off and on, the user is encouraged to try to correct the interference by one or more of the following measures:

- Reorient or relocate the receiving antenna.
- Increase the separation between the equipment and receiver.
- Connect the equipment into an outlet on a circuit different from that to which the receiver is connected.
- Consult the dealer or an experienced radio/TV technician for help.

This device complies with part 15 of the FCC Rules. Operation is subject to the following two conditions:

- 1) This device may not cause harmful interference, and
- 2) this device must accept any interference received, including interference that may cause undesired operation.

Changes or modifications not expressly approved by the party responsible for compliance could void the user's authority to operate the equipment. This equipment complies with FCC radiation exposure limits set forth for an uncontrolled environment.

This equipment should be installed and operated with minimum distance 20cm between the radiator and your body.

## 10 INDUSTRY CANADA STATEMENT

---

This device complies with Industry Canada licence-exempt RSS standard(s).

Operation is subject to the following two conditions:

- 1) This device may not cause interference, and
- 2) This device must accept any interference, including interference that may cause undesired operation of the device.

Le présent appareil est conforme aux CNR d'Industrie Canada applicables aux appareils radio exempts de licence. L'exploitation est autorisée aux deux conditions suivantes:

- 1) l'appareil ne doit pas produire de brouillage, et
- 2) l'utilisateur de l'appareil doit accepter tout brouillage radioélectrique subi, même si le brouillage est susceptible d'en compromettre le fonctionnement.

## 11 CONTACT INFORMATION

---

Levven  
9741 – 54 Ave  
Edmonton, Alberta T6E 5J4  
Canada

Levven Audio customer service:  
+1 (780) 391-3000



<http://skaa.com>