

GO RaveTM
BIG AUDIO, UNLOCKED

SOULWAY

Owner's Manual

A product by
levvenTM 

[Revised: 2015-04-06]

CONTENTS

1	Important Safety Instructions	3
2	Getting Started.....	6
2.1	Precautions	6
2.2	Placement.....	6
2.3	AC Power Input	6
2.4	Power On.....	7
2.5	Clustering.....	7
2.6	TV Setup	7
2.7	Smartphone or Tablet Device Setup	8
2.8	Using the Bond Button.....	8
2.9	Playing Audio From a Smartphone or Tablet Device	9
2.10	Playing Audio From a MacOS Computer (USB Transmitter)	9
2.11	Playing Audio From a Windows Computer (USB Transmitter)	10
2.12	Add a Transmitter to the Favorites List	10
2.13	“All Play” Mode	10
2.14	Select a Different Transmitter When Another is Already Playing	11
2.15	Reset / Clear All Settings.....	11
2.16	Infrared Remote Setup	11
2.17	Firmware Update	12
3	Troubleshooting.....	13
3.1	Standby LED Indicator Is Not Lit.....	13
3.2	No Sound	13
4	Specifications	14
5	Certifications and Agency Approvals.....	15
6	Warranty	16
7	FCC Statement.....	17
7.1	FCC RF Radiation Exposure Statement	17
8	Industry Canada Statement.....	18
9	Contact Information	19

1 IMPORTANT SAFETY INSTRUCTIONS

WARNING: TO REDUCE THE RISK OF FIRE OR ELECTRIC SHOCK, DO NOT EXPOSE THIS PRODUCT TO RAIN OR MOISTURE.

WARNING: THIS PRODUCT SHOULD NOT BE EXPOSED TO DRIPPING OR SPLASHING. OBJECTS FILLED WITH LIQUIDS SHOULD NOT BE PLACED ON THE PRODUCT. AS WITH ANY ELECTRONIC PRODUCTS, USE CARE NOT TO SPILL LIQUIDS ONTO ANY PART OF THE SYSTEM. LIQUIDS CAN CAUSE PRODUCT FAILURE AND LIKELY TO CAUSE A FIRE.

WARNING: THE MAINS CABLE AND PLUG OF THIS DEVICE ARE REMOVABLE. IT SHOULD REMAIN CONNECTED DURING NORMAL USE. TO SAFELY DISCONNECT THE MAINS CABLE, FIRST DISCONNECT THE PLUG FROM THE WALL RECEPTACLE AND THEN REMOVE THE CABLE FROM THE EQUIPMENT.

WARNING: THERE ARE NO USER SERVICEABLE PARTS INSIDE. REFER ALL SERVICING TO QUALIFIED SERVICE PERSONNEL.

WARNING: TO REDUCE THE RISK OF FIRE OR ELECTRIC SHOCK, DO NOT ALLOW FOREIGN OBJECTS TO GET INTO THE ENCLOSURE. IF A FOREIGN OBJECT GETS INTO THE ENCLOSURE, IMMEDIATELY DISCONNECT THE POWER CORD FROM THE WALL. TAKE THE UNIT TO A QUALIFIED SERVICE PERSON FOR INSPECTION AND NECESSARY REPAIRS.

AVERTISSEMENT: POUR RÉDUIRE LE RISQUE D'INCENDIE OU DE CHOC ÉLECTRIQUE, NE PAS EXPOSER CE PRODUIT À LA PLUIE OU À L'HUMIDITÉ.

ATTENTION: CE PRODUIT NE DOIT PAS ÊTRE EXPOSÉ À DES GOUTTES ET LES ÉCLABOUSSURES. OBJETS CONTENANT DES LIQUIDES NE DOIVENT PAS ÊTRE PLACÉS SUR LE PRODUIT. COMME AVEC TOUT APPAREIL ÉLECTRONIQUE, VEILLENZ À NE PAS RENVERSER DE LIQUIDES SUR UNE PARTIE QUELCONQUE DU SYSTÈME. LES LIQUIDES PEUVENT PROVOQUER UNE DÉFAILLANCE DU PRODUIT ET SUSCEPTIBLE DE PROVOQUER UN INCENDIE.

ATTENTION: LE CÂBLE D'ALIMENTATION ET LA PRISE DE CE DISPOSITIF SONT AMOVIBLES. IL CONVIENT DE RESTER CONNECTÉ PENDANT L'UTILISATION NORMALE. POUR DÉBRANCHER LE CÂBLE D'ALIMENTATION, D'ABORD DÉBRANCHER LA FICHE DE LA PRISE MURALE, PUIS RETIREZ LE CÂBLE DE L'ÉQUIPEMENT.

ATTENTION: IL N'Y A AUCUNE PIÈCE RÉPARABLE PAR L'UTILISATEUR. CONFIEZ TOUTE RÉPARATION À UN PERSONNEL QUALIFIÉ.

AVERTISSEMENT: POUR RÉDUIRE LE RISQUE D'INCENDIE OU DE CHOC ÉLECTRIQUE, NE PERMETTENT PAS DE CORPS ÉTRANGERS D'ENTRER DANS L'ENCEINTE. SI UN OBJET TOMBE DANS L'ENCEINTE, DÉBRANCHEZ IMMÉDIATEMENT LE CORDON D'ALIMENTATION DE LA PAROI. PRENEZ L'APPAREIL À UN TECHNICIEN QUALIFIÉ POUR L'INSPECTION ET LES RÉPARATIONS NÉCESSAIRES.

Carefully read all instructions before connecting or operating SOULWAY. Keep this manual so you can refer back to these safety instructions.

Read all warnings and safety information in this manual and on the product itself. Kindly follow all operating instructions.

Kindly keep SOULWAY away from radiators, heat registers, stoves, or any other appliance that produces heat.


Connect SOULWAY to the power outlet only with the supplied 2-pin mains cable. Do not modify the supplied cable in any way.


Do not route the power cable where it will be crushed, pinched, bent at severe angles, exposed to heat, or damaged in any way. Pay particular attention to the power cord at the plug and where it exits the back of the unit.



Immediately stop using SOULWAY and have it inspected and/or serviced by a qualified service agency if:

- The power supply cord or plug has been damaged.
- Objects have fallen into or liquid has been spilled into the unit.
- The unit has been exposed to rain.
- The unit shows signs of improper operation.
- The unit has been dropped or damaged in any way.

Secure SOULWAY to a fixed surface strong enough to support its weight, using screws.

1. Read these Instructions.
2. Keep these Instructions.
3. Heed all Warnings.
4. Follow all instructions.
5. Do not use this apparatus near water.
6. Clean only with a dry cloth.
7. Do not block any of the ventilation openings. Install in accordance with the manufacturer's instructions.
8. Do not install near any heat sources such as radiators, heat registers, stoves, or other apparatus (including amplifiers) that produce heat.
9. Do not defeat the safety purpose of the polarized or grounding - type plug. A polarized plug has two blades with one wider than the other. A grounding type plug has two blades and a third grounding prong. The wide blade or the third prong is provided for your safety. When the provided plug does not fit into your outlet, consult an electrician for replacement of the obsolete outlet.
10. Protect the power cord from being walked on or pinched particularly at plugs, convenience receptacles, and the point where they exit from the apparatus.
11. Only use attachments/accessories specified by the manufacturer.
12.  Use only with a cart, stand, tripod, bracket, or table specified by the manufacturer, or sold with the apparatus. When a cart is used, use caution when moving the cart/apparatus combination to avoid injury from tip-over.
13. Unplug this apparatus during lightning storms or when unused for long periods of time.
14. Refer all servicing to qualified service personnel. Servicing is required when the apparatus has been damaged in any way, such as power-supply cord or plug is damaged, liquid has been spilled or objects have fallen into the apparatus, the apparatus has been exposed to rain or moisture, does not operate normally, or has been dropped.
15. Mains plug is used as disconnect device and it should remain readily operable during intended use. In order to disconnect the mains plug from mains completely, the mains plug should be disconnected from the mains socket outlet completely.
16. Caution marking is located at the bottom enclosure of the apparatus. Rating plate is located at the rear enclosure of the apparatus.

1. Lisez ces instructions.
2. Conservez ces instructions.
3. Respectez tous les avertissements.
4. Suivez toutes les instructions.
5. Ne pas utiliser cet appareil près de l'eau.
6. Nettoyer uniquement avec un chiffon sec.
7. Ne pas obstruer les ouvertures de ventilation. Installez conformément aux instructions du fabricant.
8. Ne pas installer près de sources de chaleur telles que des radiateurs, registres de chaleur, poêles ou autres appareils (y compris les amplificateurs) qui produisent de la chaleur.
9. Ne pas contourner le dispositif de sécurité de la fiche polarisée ou mise à la terre - prise de type. Une fiche polarisée possède deux lames dont une plus large que l'autre. Une prise de terre a deux lames et une troisième broche de mise à la terre. La lame large ou la troisième broche est fournie pour votre sécurité. Si la fiche fournie ne rentre pas dans votre prise, consultez un électricien pour remplacer la prise obsolète.
10. Protéger le cordon d'alimentation d'être piétiné ou pincé, en particulier au niveau des fiches, des prises de courant, et le point où ils sortent de l'appareil.
11. Utilisez uniquement des fixations / accessoires spécifiés par le fabricant.
12.  Utilisez uniquement avec un chariot, support, trépied, support ou table spécifié par le fabricant ou vendu avec l'appareil. Quand un chariot est utilisé, faites attention lorsque vous déplacez l'ensemble chariot / appareil pour éviter les blessures en cas de chute.
13. Débranchez cet appareil en cas d'orage ou lorsqu'il est inutilisé pendant de longues périodes de temps.
14. Confiez tout entretien à un personnel qualifié. Une réparation est nécessaire lorsque l'appareil a été endommagé de quelque façon que ce cordon d'alimentation ou la prise est endommagé, du liquide a été renversé ou des objets sont tombés dans l'appareil, l'appareil a été exposé à la pluie ou à l'humidité, ne fonctionne pas normalement ou a été abandonné.
15. Fiche secteur est utilisée comme dispositif de déconnexion et doit rester facilement accessible pendant l'utilisation. Pour débrancher la prise du secteur complètement, la prise secteur doit être débranché de la prise secteur complètement.
16. Mise en garde le marquage est situé à l'enceinte inférieure de l'appareil. La plaque signalétique se trouve à l'enceinte arrière de l'appareil.

	<p>This symbol is intended to alert you that uninsulated voltage within this product may have sufficient magnitude to cause electric shock. Therefore, it is dangerous to make any kind of contact with any inside part of this product.</p> <p>Ce symbole a pour but d'alerter toute personne qu'un contact avec une pièce interne de ce produit, sous tension et non isolée, pourrait être suffisant pour provoquer un choc électrique. Il est donc dangereux d'être en contact avec toute pièce interne de ce produit.</p>
	<p>This symbol is intended to alert you of the presence of important operating and maintenance (servicing) instructions in the literature accompanying this product.</p> <p>Ce symbole a pour but de vous avertir qu'une documentation importante sur le fonctionnement et l'entretien accompagne ce produit.</p>



TO PREVENT FIRE OR SHOCK HAZARD, DO NOT EXPOSE THIS APPLIANCE TO RAIN OR MOISTURE.
AFIN DE PREVENIR TOUT INCENDIE ET ELECTROCUTION, N'EXPOSEZ PAS CETTE UNITE A LA PLUIE ET L'HUMIDITE.

2 GETTING STARTED

Thank you for purchasing GoRave SOULWAY. This product is your buddy for unlimited source of enjoyment. SOULWAY provides great audio performance including a dedicated amplifier per output channel, low noise, low distortion, and is the perfect sidekick to GoRave's SOUL SHAKER wireless sub.

SOULWAY is easy to install and operate. If you have experience with other audio amplifiers, you will find the installation and operation very simple and easy.

2.1 PRECAUTIONS

Please read this manual carefully. In addition to basic installation and operating instructions, it provides valuable information on various SOULWAY system configurations as well as general information that will help you get optimum performance from your system. Please contact your authorized GoRave specialty dealer or retailer for answers to any questions you might have. In addition, all of us at GoRave welcome your questions and comments.

2.2 PLACEMENT

There must be adequate clearance around the product. Use common sense when placing the product in a cabinet or when stacking other equipment.

Likewise, remember the weight of the amplifier when you choose to mount it on a wall. Make sure that you use drywall anchors that can support its weight or screw into the building's structure. Again, please use common sense.

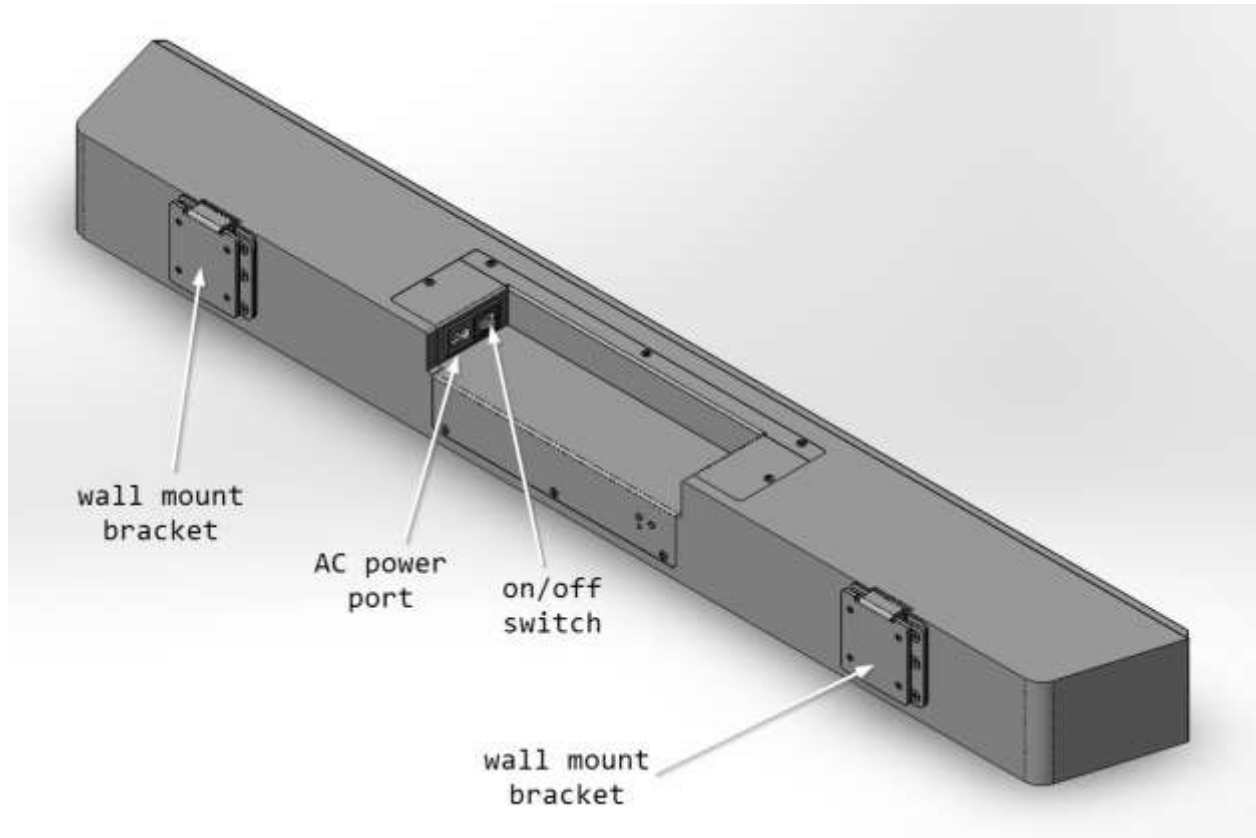
The wireless GoRave Transmitters transmit out to a 100 foot diameter (USB version) and 80 foot diameter for all other styles. Install your GoRave SOULWAY inside this transmitting range. When deciding the best location for SOULWAY, include the distance needed to transmit from outside spaces like the back yard or patio. For optimum wireless reception range, mount your SOULWAY vertically on a wall. Installing it flat on a furniture stand will yield smaller wireless reception range.

2.3 AC POWER INPUT

Simply connect the supplied power cord to the AC outlet.

Your SOULWAY will operate between 90 – 270 AC line voltage with a line frequency of either 50 Hz or 60 Hz. There is no need to convert or adjust the unit in any way.

Note: If you are going to be away from home for an extended period of time such as a month-long vacation, it is a sensible precaution to unplug it (as well as other audio and video components) while you are away.



2.4 POWER ON

1. Insert the power cord into an AC outlet.
2. Ensure the power switch at the rear of the unit beside the AC power cord port is in the "I" or on position.
3. The standby LED indicator above the power button will light indicating that it is powered.
4. Press the power button to bring the unit out of standby.
5. The standby LED indicator will go dark and the SKAA bond LED above the bond button will light indicating the unit is ready to receive a wireless signal from a SKAA transmitter.

2.5 CLUSTERING

TODO

2.6 TV SETUP

<Diagrams of Talisa and TV here>

- a) Install the GoRave TV Transmitter into your TV.
 - i. Insert the optical cable into your TV's TOSLINK/SPDIF port.
 - ii. Insert the USB cable into your TV's USB port. Note that the USB port is for power only, and the included USB power supply can be used if you do not have a USB port on your TV.
- b) Play some audio on your TV by watching a broadcast program or a streaming service.
- c) Double-click the bond button on SOULWAY. The bond LED status indicator should turn bright amber and you will hear your audio playing.

- d) Press and hold the bond button for 3 seconds to add your TV Transmitter to SOULWAY's Favorites List. The bond LED will turn bright green.
- e) Press the bond button four times to put SOULWAY into "All Play" mode. The LED will turn red.

2.7 SMARTPHONE OR TABLET DEVICE SETUP

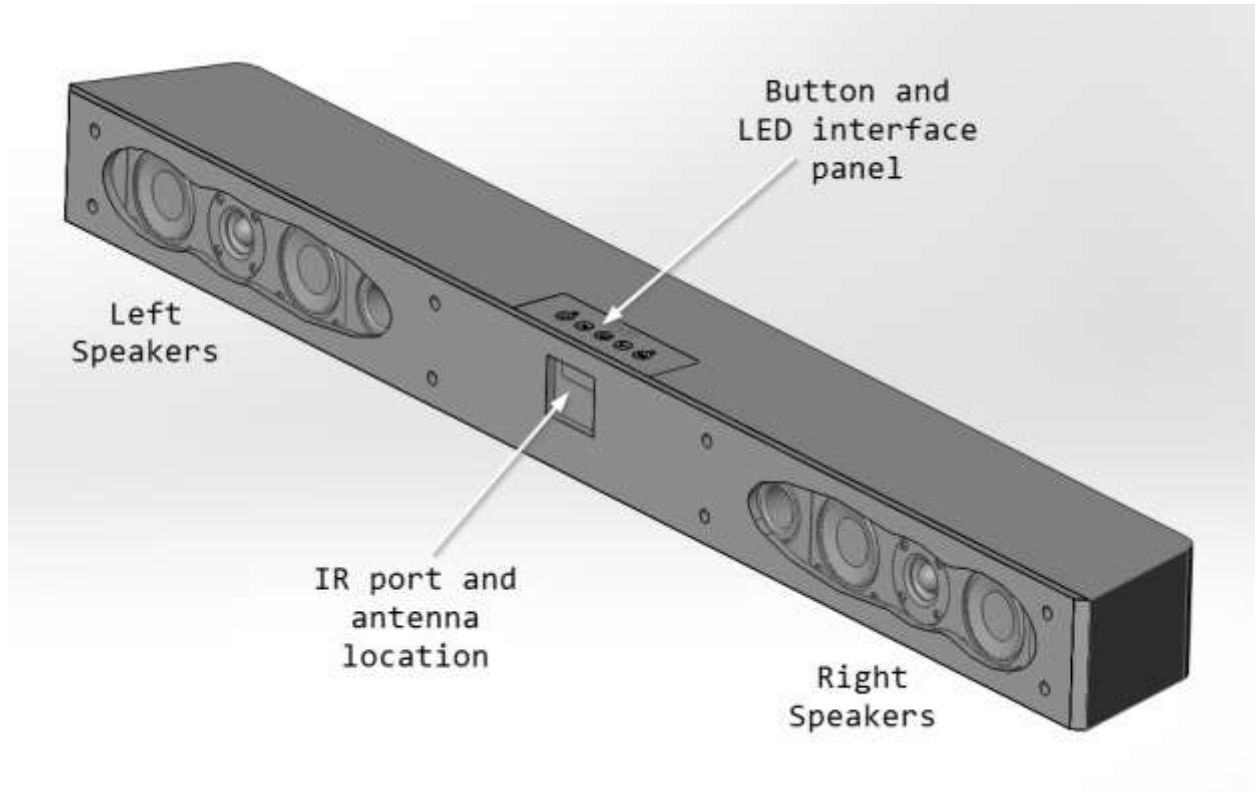
<Diagrams of Transmitters and Mobile Devices here>

- a) Insert a GoRave Transmitter into your device. If you are using a 30-pin Apple device, (e.g. iPhone 4S), install the GoRave app from the Apple iTunes Store.
- b) Play some audio on your device.
- c) Double-click the bond button on SOULWAY. The bond LED status indicator should turn bright amber and you will hear your audio playing.
- d) Press and hold the bond button for 3 seconds to add your Transmitter to SOULWAY's Favorites List. The bond LED will turn bright green.
- e) Press the bond button four times to put SOULWAY into "All Play" mode. The LED will turn red.

2.8 USING THE BOND BUTTON



Single-Click	Playing or waiting to play from a Transmitter on the Favorite List.	Amber (dim) = waiting Amber (bright) = playing
Double-Click	Playing or waiting to play from a Transmitter that has not yet been added to the Favorite List.	Green (dim) = waiting Green (bright) = playing
Hold	Add or remove a Transmitter from the Favorite List by pressing and holding the Bond button for 4 seconds.	Amber to Green = added Favorite Red(flash) = deleted
4-Click	*RECOMMENDED: "All Play" mode to play from any Favorite Transmitter without manually pressing Bond button each time.	Red (dim) = waiting Red (bright) = playing
6-Click	Clear the Favorites List and reset volume settings.	Red (flash) = list reset



2.9 PLAYING AUDIO FROM A SMARTPHONE OR TABLET DEVICE

Go to <http://gorave.com/support> and select the "Transmitter" guide for a quick video tutorial on this topic.

- a) Insert a mobile GoRave Transmitter into your smartphone or tablet device.
- b) Open the GoRave app. (Note: the GoRave volume control app needs to be open (but can be minimized) when you are using the 30-pin Transmitter with a 30-pin Apple device. The first time you connect a 30-pin Transmitter, you will automatically be taken to the iTunes Store to download the app for your device.)
- c) Start playing audio on the device. At this point, the device is transmitting audio via the Transmitter.
- d) If the Transmitter is the only one transmitting and it has been added to your SOULWAY's Favorites List, then you will hear your audio playing.
- e) If the Transmitter has not been favorited, follow the instructions in Section 3.6 to add your Sender to the Receiver's Favorites List.
- f) If the Transmitter is not the only one transmitting and your SOULWAY is playing audio from another source, follow the instructions in Section 3.8 to hear audio from a different Transmitter.

2.10 PLAYING AUDIO FROM A MACOS COMPUTER (USB TRANSMITTER)

- a) Insert the USB Transmitter into the Mac's USB port.
- b) Play some audio on the device.
- c) Click the Apple in the top left corner of the screen and choose "System Preferences".
- d) Click on "Sound".

- e) In the Sound settings screen, click the "Output" tab.
- f) Select "SKAA Transmitter" from the list of audio output devices.
- g) Adjust the volume to desired level.
- h) Play an audio file on your Mac and follow the Favorite List process in Section 3.6 to add this USB Transmitter to the Audio Receiver's Favorites List.
- i) After you add the USB Transmitter to the Favorites List, press the Bond button four times to return SOULWAY into "All Play" mode.

2.11 PLAYING AUDIO FROM A WINDOWS COMPUTER (USB TRANSMITTER)

- a) Insert the USB Transmitter into the Windows device. It will automatically install the required drivers and enable wireless audio transmission.
- b) Play some audio on the device.
- c) Adjust the volume on the device to desired level.
- d) Follow Section 3.6 to add this USB Transmitter to the Audio Receiver's Favorites List.
- e) After you add the USB Transmitter to the Favorites List, press the Bond button four times to return SOULWAY into "All Play" mode.

Go to <http://gorave.com/support> and select the "Transmitter" guide for a quick video tutorial on this topic.

2.12 ADD A TRANSMITTER TO THE FAVORITES LIST

SOULWAY can save a list of favorite Transmitters. If a Transmitter is not on the favorites list, SOULWAY may not play your audio.

Go to <http://gorave.com/support> and select the "Transmitter Favorites List" guide for a quick video tutorial on this topic.

- a) To add your Transmitter to the Favorites List of a particular SOULWAY, connect the Transmitter to a device and start playing audio.
- b) The LED status indicator on SOULWAY should be a dim amber or dim green to indicate that it is exploring for new Transmitters. Double click the Bond button on SOULWAY to search for the transmitting, non-favorite Transmitter. The LED indicator will flash bright amber when it discovers the Transmitter signal.
- c) When you hear your audio playing from your loudspeakers, press and hold the Bond button for four seconds to save your Transmitter in the Favorites List.
- d) The LED status indicator will turn solid green to indicate audio is playing from a favorite Transmitter.
- e) After you add the USB Transmitter to the Favorites List, press the Bond button four times to return SOULWAY into "All Play" mode.

2.13 "ALL PLAY" MODE

"All Play" mode is the easiest way to use GoRave when you have more than one Transmitter in your space. After you add or remove a Transmitter from a SOULWAY's Favorites List, press the Bond button four times to put that SOULWAY in "All Play" mode. The LED status indicator will turn red. Now SOULWAY will automatically play from any transmitting Transmitter in its Favorites List without having to manually press the Bond button. Play with one Transmitter at a time for SOULWAYS in "All Play" mode. Disconnect the first Transmitter when you want a SOULWAY to detect and play audio from a second Transmitter.

2.14 SELECT A DIFFERENT TRANSMITTER WHEN ANOTHER IS ALREADY PLAYING

- a) The easiest way to change audio sources is to disconnect the Transmitter from the first device, then connect and play from a second.
- b) Activate "All Play" mode so SOULWAY will automatically play from any transmitting Transmitter in the favorites list.
- c) To manually control audio playback from SOULWAY:
 - i. Single-click the Bond button to switch to the next transmitting favorite Transmitter or
 - ii. Double-click on the Bond button to switch to the next transmitting non-favorite Transmitter.

2.15 RESET / CLEAR ALL SETTINGS

To clear all saved Transmitters from the Favorites List, press the Bond button six times. The LED status indicator will flash red, SOULWAY's Favorites List will be cleared and volume settings reset. This lets you add new Transmitters to the Favorites List.

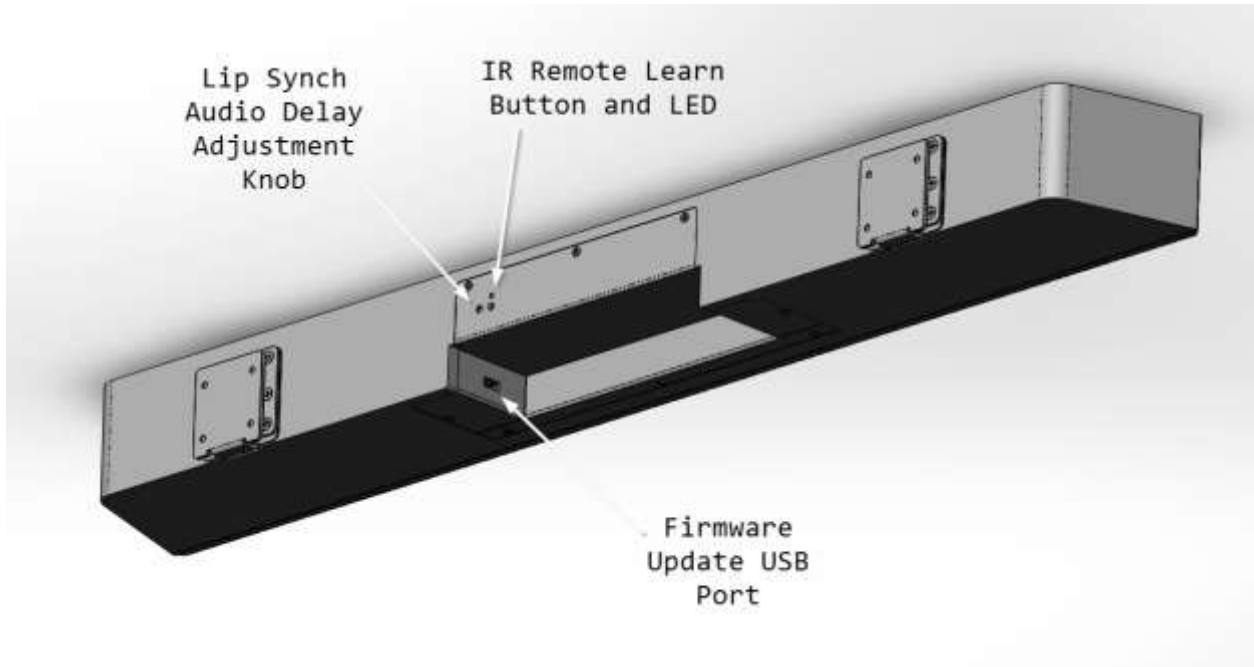
Additional notes

- a) A GoRave SOULWAY can save up to ten (10) GoRave Transmitters in its Favorites List.
- b) SOULWAY will auto-add a Transmitter to its Favorites List if you play from it for 30 minutes.
- c) The GoRave volume control app identifies the available SOULWAYs your device can play to (via its Transmitter). Go to the App Store and search "GoRave" to download the app.

2.16 INFRARED REMOTE SETUP

You can use your favorite infrared remote control with SOULWAY. Follow these instructions to setup this feature:

- a) Find and hold onto your favorite infrared remote control.
- b) Press the IR remote learn button at the rear of SOULWAY.
- c) Point your remote to the front of SOULWAY and press the following remote buttons in order:
 - i. Volume Up
 - ii. Volume Down
 - iii. Mute
- d) Press the IR remote learn button at the rear of SOULWAY.
- e) Enjoy using your remote to control SOULWAY's volume.



2.17 FIRMWARE UPDATE

Levven may from time to time provide consumers an updated firmware for SOULWAY. Simply place the firmware file provided onto a FAT16 or FAT32 formatted USB flash drive and insert into the USB port at the rear of SOULWAY. When the standby LED flashes, toggle the power switch from off and then to on again.

3 TROUBLESHOOTING

Mostly the issues in audio systems are result of poor or wrong connections, or improper control settings. If you encounter problems, isolate the area of difficulty, check the control settings, determine the cause of the fault and make the necessary changes.

If you are unable to get sound from SOULWAY, refer to given suggestions for following conditions:

3.1 STANDBY LED INDICATOR IS NOT LIT

No main power to SOULWAY. Check AC power connections at the amplifier and the AC outlet.

3.2 NO SOUND

If the product is getting AC power, but is producing no sound, check the LED indicator on the side of the amplifier. If SOULWAY's bond LED is dim, it means that SOULWAY is seeking connection, check following conditions,

- Is SOULWAY bonded to a wireless streaming device?
- Is the streaming device turned on?
- Is audio playing on the wireless streaming device?
- Is the streaming device on mute?
- Is the volume on the streaming device set too low?
- Is audio playing on the wired device?
- Is the volume on the wired device set too low?

Note: SOULWAY allows only one connection at a given time to play music. If a device is already bonded with SOULWAY and you are trying to play music from another source. Kindly disconnect the device which is currently bonded with SOULWAY before bonding the desired device with SOULWAY to play music.

If the LED is lit solid, it means SOULWAY has successfully bonded with a device in green list, check all of your connections and control settings on associated components.

4 SPECIFICATIONS

Continuous Output Power	50 watts per channel, 2 channels at 6 ohms
Frequency Response	135 Hz to 20 KHz, -3dB
Efficiency	86 dB @1W/m
Max output	102 dB SPL at 1m each channel
Impedance	nominal 6 ohms
Woofers/ Medium Range driver	50mm long throw, 12 ohms nominal impedance each, use 2 in parallel each channel
Tweeter	20mm soft dome tweeter, 8 ohms nominal impedance
Input Power Requirements	Universal input 85V-264V 47Hz-63Hz, auto-configuring
Power Consumption	Maximum 150 watts
Dimensions (WxHxD)	980 X 90 X 90 mm
Weight (net)	3.5 kg
Power cord	Detachable 8 foot, 2-conductor US type, black

All specifications are accurate at the time of printing. Levven reserves the right to make improvements without notice.

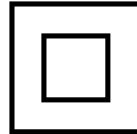
5 CERTIFICATIONS AND AGENCY APPROVALS

- UL 60065-2003 - U.S.A. 120V Certification
- CAN/CSA C22.2 No. 60065.03 – Canada 120V Certification
- IEC 60065:2001 - CB Scheme certification
- FCC Part 15 Class B, IC ICES-003 Issue 4
- EMC: EN55013:2001/A1:2003, AS/NZS CISPR 13:2004 (Radiated Interference Voltage and Power)
- EN55020:2002/A2:2005 (Radiated Immunity)
- EN61000-3-2:2000/A1:2001/A2:2005 and EN61000-3-3:1995/A1:2001/A2:2005 (Current harmonics and Voltage Fluctuations)
- EU power management to 2013 standards
- RoHS

FCC ID: 2AA9N-GRBAR

Industry Canada ID: 11506A-GRBAR

All specifications are accurate at the time of printing. Levven reserves the right to make improvements without notice.



6 WARRANTY

1-YEAR LIMITED WARRANTY

Levven Electronics Ltd. ("Levven") warrants that the GoRave SOULWAY you have purchased shall be free of any defects in parts and workmanship if used under normal operating conditions for a period of one (1) year from the date of purchase, except this warranty shall apply only to the original purchaser.

PLEASE RETAIN YOUR SALES RECEIPT, AS IT IS YOUR PROOF OF PURCHASE COVERING YOUR LIMITED WARRANTY.

THIS WARRANTY IS VOID WITHOUT SUCH PROOF OF PURCHASE.

Defective units will be repaired or replaced without charge, at Levven's discretion, with a like or comparable product by the Dealer if presented with proof of purchase to the Authorized GoRave Dealer from whom the GoRave SOULWAY was purchased. Any repair or service performed by any person or entity other than GoRave is not covered by this limited warranty. Transportation costs are not included in this warranty. This limited warranty becomes void if the product has been damaged by alteration, misuse, accident, or neglect; or the product has been repaired or serviced by persons not authorized by Levven. THE FOREGOING CONSTITUTES THE ONLY WARRANTY MADE BY GORAVE WITH RESPECT TO THE PRODUCT AND IS MADE EXPRESSLY IN LIEU OF ALL OTHER WARRANTIES EXPRESS OR IMPLIED. Any implied warranties, including without limitation, any implied warranties of merchantability or fitness for any particular purpose, imposed under state law are limited to the duration of this limited warranty. Some states do not allow limitations on how long an implied warranty lasts, so the above limitations may not be applicable to you.

This warranty is void if the GoRave SOULWAY enclosure has been opened.

LEVVEN ASSUMES NO LIABILITY FOR PROPERTY DAMAGE RESULTING FROM FAILURE OF THIS PRODUCT NOR ANY LOSS OF INCOME, SATISFACTION OR DAMAGES ARISING FROM THE LOSS OF USE OF SAME DUE TO DEFECTS OR AVAILABILITY OF SAME DURING SERVICE.

NOTE: This warranty applies only to products purchased and serviced within the U.S.A. and Canada. Warranties outside these countries are as defined by the authorized GoRave Distributor for your country or region, and may vary from the above in terms and/or length.

Thank you again! We hope you enjoy your GoRave SOULWAY. Visit <http://gorave.com> and share your GoRave stories with us!

7 FCC STATEMENT

This equipment has been tested and found to comply with the limits for a Class B digital device, pursuant to Part 15 of the FCC Rules. These limits are designed to provide reasonable protection against harmful interference in a residential installation. This equipment generates, uses, and can radiate radio frequency energy and, if not installed and used in accordance with the instructions, may cause harmful interference to radio communications. However, there is no guarantee that interference will not occur in a particular installation. If this equipment does cause harmful interference to radio or television reception, which can be determined by turning the equipment off and on, the user is encouraged to try to correct the interference by one of the following measures:

- Reorient or relocate the receiving antenna.
- Increase the separation between the equipment and receiver.
- Connect the equipment into an outlet on a circuit different from that to which the receiver is connected.
- Consult the dealer or an experienced radio/TV technician for help.

FCC Caution: Any changes or modifications not expressly approved by the party responsible for compliance could void the user's authority to operate this equipment. This device complies with Part 15 of the FCC Rules. Operation is subject to the following two conditions: (1) This device may not cause harmful interference, and (2) this device must accept any interference received, including interference that may cause undesired operation.

7.1 FCC RF RADIATION EXPOSURE STATEMENT

Caution: To maintain compliance with the FCC's RF exposure guidelines, place the product at least 20 cm from nearby persons.

8 INDUSTRY CANADA STATEMENT

This Class B digital apparatus complies with Industry Canada license-exempt RSS Standard(s). Operation is subject to the following two conditions: (1) this device may not cause interference, and (2) this device must accept any interference, including interference that may cause undesired operation of the device.

This Class B digital apparatus complies with Canadian ICES-003.

Le présent appareil est conforme aux CNR d'Industrie Canada applicables aux appareils radio exempts de licence. L'exploitation est autorisée aux deux conditions suivantes : (1) l'appareil ne doit pas produire de brouillage, et (2) l'utilisateur de l'appareil doit accepter tout brouillage radioélectrique subi, même si le brouillage est susceptible d'en compromettre le fonctionnement.

Cet appareil numérique de la classe B est conforme à la norme NMB-003 du Canada.

9 CONTACT INFORMATION

GoRave by Levven
9741 – 54 Ave
Edmonton, Alberta T6E 5J4
Canada

GoRave customer service: (780) 391-3000

<http://gorave.com>