

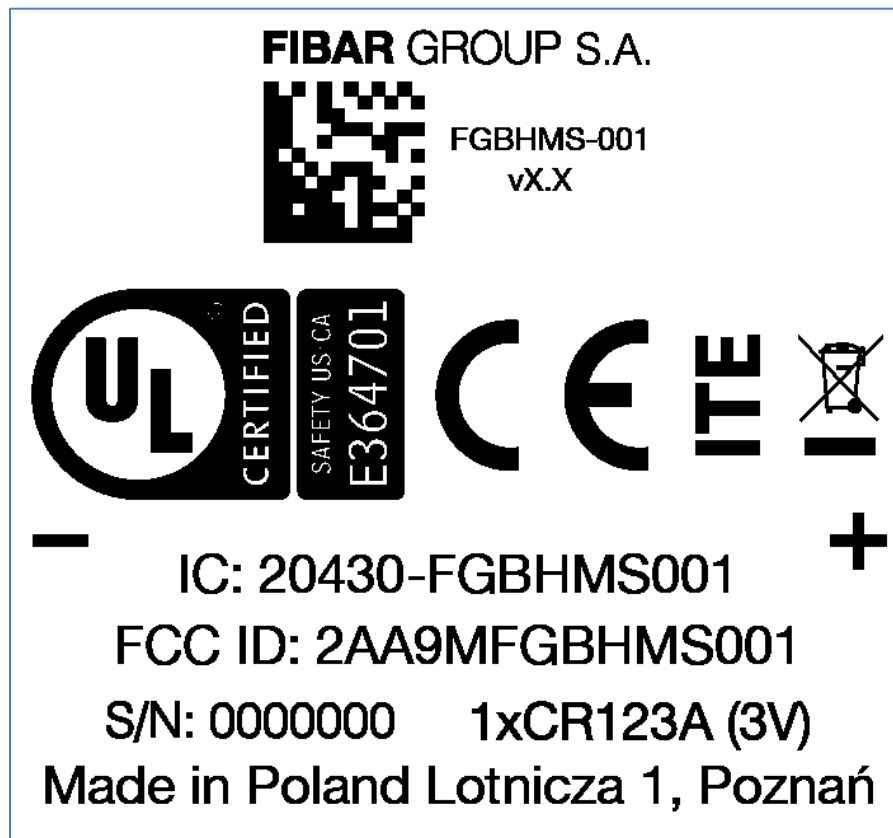
10.10.2016

Label, Label Location, Packaging Label – FCC Certification Application

Fibaro Motion Sensor

FCC ID: 2AA9MFGBHMS001

Label



Fibar Group S.A.
FIBARO System Manufacturer
ul. Lotnicza 1,
60-421 Poznań

KRS (reg.no): 0000553265
NIP: 7811858097

Registered capital: 1 182 100,00 PLN



Good Design
2013



Founding
Cedia Member



European Business
Awards



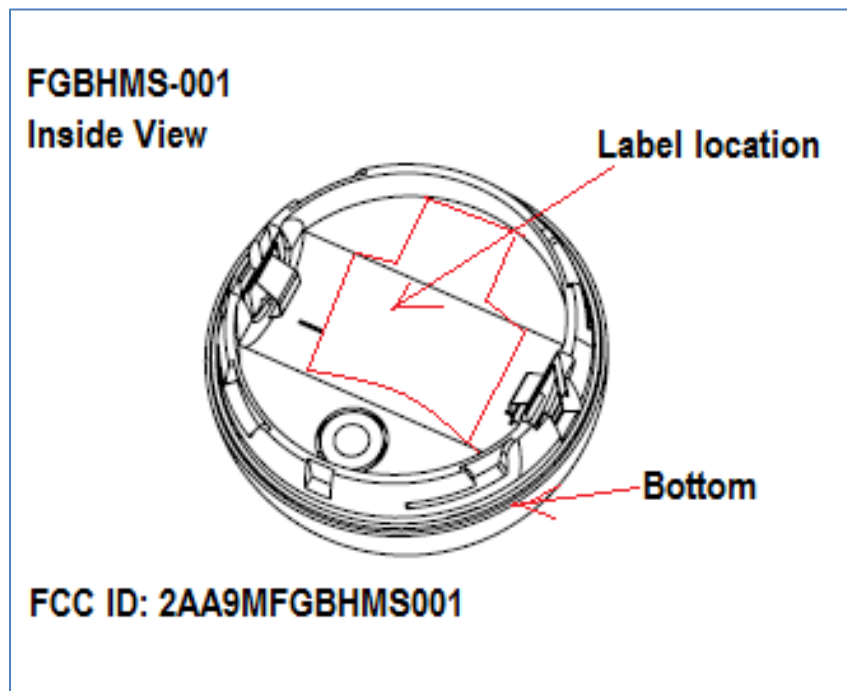
Quality
Service



CES Innovation
Awards

The label is internal to the device and FCC ID is visible inside of the device too.
Fibaro Motion Sensor FGBHMS-001 is sold with a battery placed inside the device. The battery is separated from electrical circuit of device by a paper blocker. This blocker needs to be removed by user, before first usage of device. In order to remove the blocker, user is forced to remove the battery first. Thanks to that, user will be able to notice and read the ID label of a product.
Furthermore FCC ID is visible on the box and the user doesn't require any special tools to access the FCC label.

Label location inside of the device



Packaging Label

Fibar Group S.A.
ul. Lotnicza 1
60-421 Poznań, Poland
www.fibaro.com
All rights reserved
Made in Poland
FCC ID: 2AA9MFGBHMS001

Motion Sensor FGBHMS-001 vX.X
■ CR123A 3V

Serial no. 0000000
00.00.2016



IC: 20430-FGBHMS001



Apple[®], iPhone[®], iPad[®], iPad Air[®], and iPod[®] touch are trademarks of Apple Inc., registered in the U.S. and other countries. HomeKit[™] is a trademark of Apple Inc. Controlling this HomeKit-enabled accessory away from home requires a third-generation Apple TV with Apple TV software 7.2.1 or later or a fourth-generation Apple TV with tvOS 9.2 or later and an iPhone, iPad, or iPod touch with iOS 9.3 or later.

The Bluetooth[®] word mark and logos are registered trademarks owned by the Bluetooth SIG, Inc. and any use of such marks by Fibar Group is under license. Other trademarks and trade names are those of their respective owners.

Fibar Group S.A.
FIBARO System Manufacturer
ul. Lotnicza 1,
60-421 Poznań

KRS (reg.no): 0000553265
NIP: 7811858097

Registered capital: 1 063 850,00 PLN



Good Design
2013



Founding
Cedia Member



European Business
Awards



Quality
Service



CES Innovation
Awards