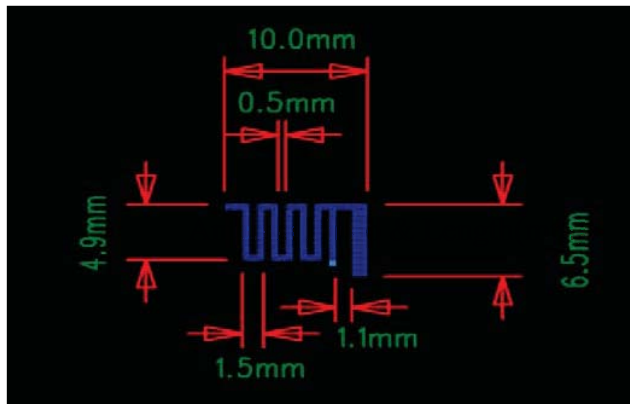
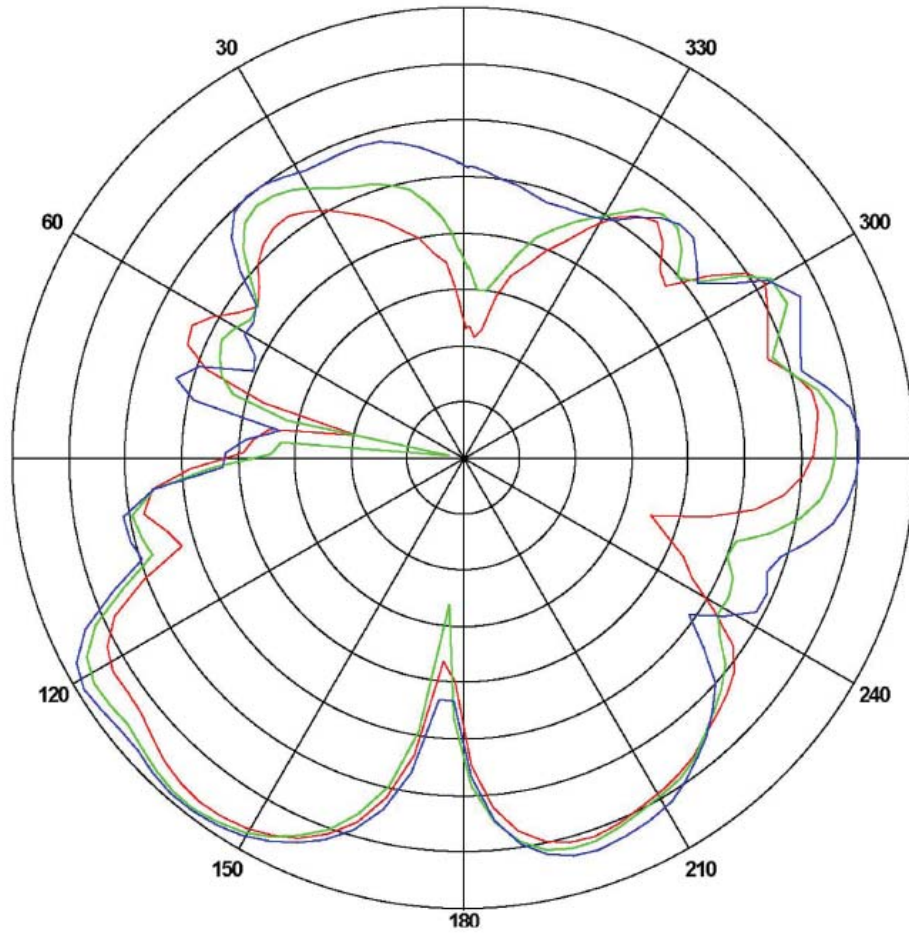


## Inverted F Antenna Specification

ITEM	ANT SPEC					
Model Name	2.4G ANT					
Center Frequency	Horizontal			Vertical		
	2400MHz	2450MHz	2500MHz	2400MHz	2450MHz	2500MHz
	-1.26	-0.76	0	-5.25	-2.46	0
MAX.Gain	0dBi					
Polarization	Horizontal and Vertical					
Azimuth Beam Pattern	Omni-directional					
Impedance	50 Ohm					
Antenna Length	38.20mm					
Manufacture	ZHUHAI JIELI TECHNOLOGY CO.,LTD					

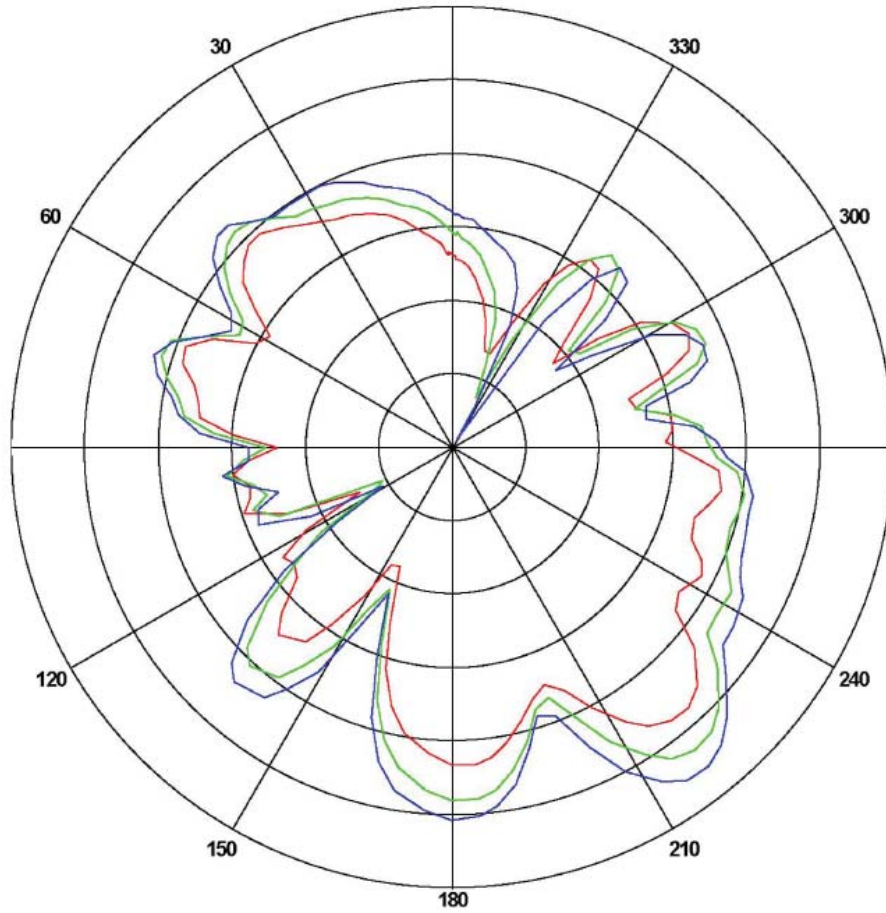


Horizontal: 2400 MHz 2450 MHz 2500 MHz  
 Power (dBm)  
 Max: 0 Min: -40 Scale: 5/div



Frequency (MHz)	Gain(dB)		
	Max	Min	Avg
2400	-1.26181	-30.0801	-7.18829
2450	-0.766201	-36.5612	-7.48003
2500	0	-22.0316	-6.59127

Vertical: 2400 MHz 2450 MHz 2500 MHz  
 Power (dBm)  
 Max: 0 Min: -30 Scale: 5/div



Frequency (MHz)	Gain(dB)		
	Max	Min	Avg
2400	-5.2536	-22.168	-12.4295
2450	-2.4682	-24.5847	-10.4773
2500	0	-29.5216	-9.2057

ANT Test Labs:Attestation of Global Compliance Co.,Ltd