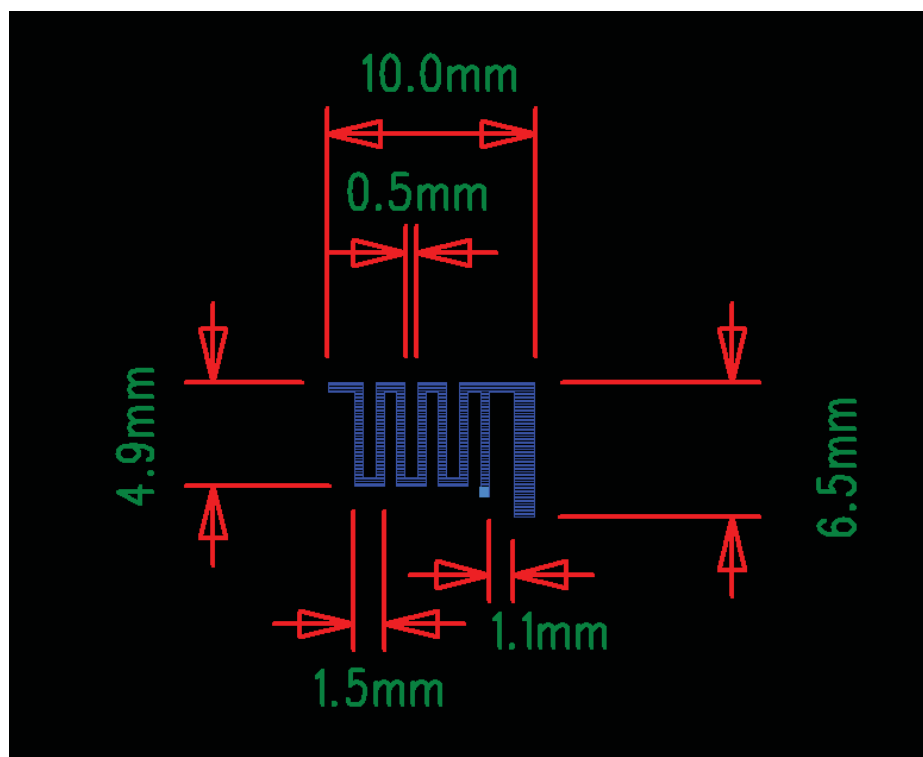


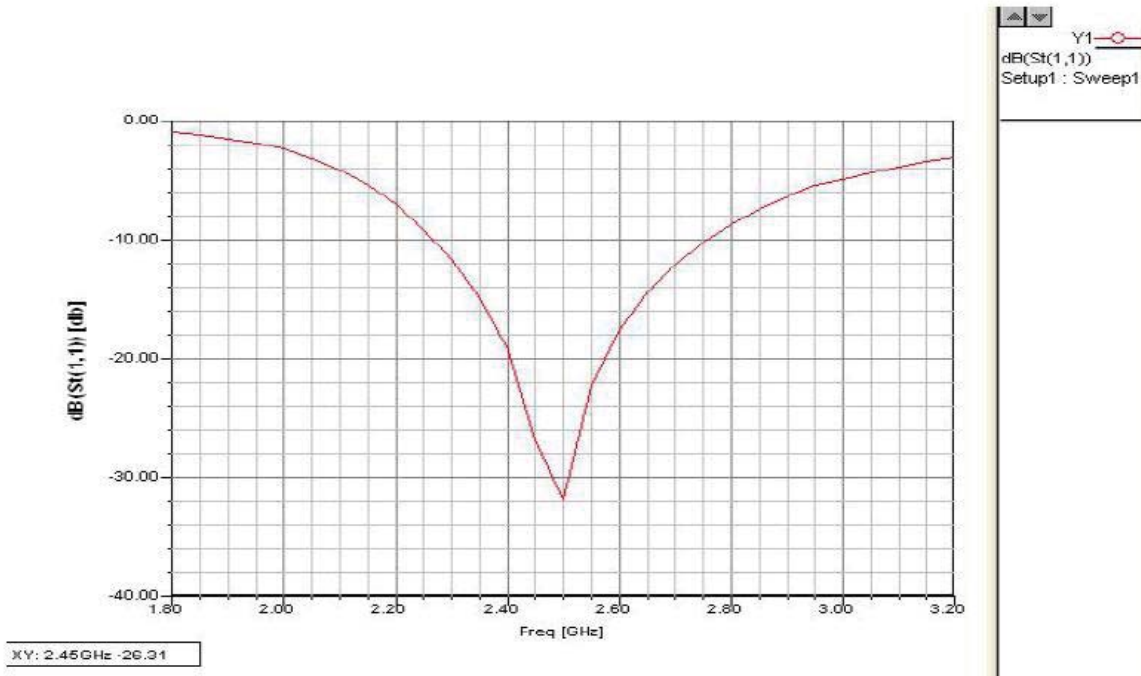
Antenna Describe

Antenna	PCB
Antenna Gain	0dBi
Frequency Range	2.4Ghz-2.483Ghz
Connector Type	Direct
Location of mearement(company name)	SHENZHENSHIXINZHONGXN TECHNOLOGY.CO.,LTD

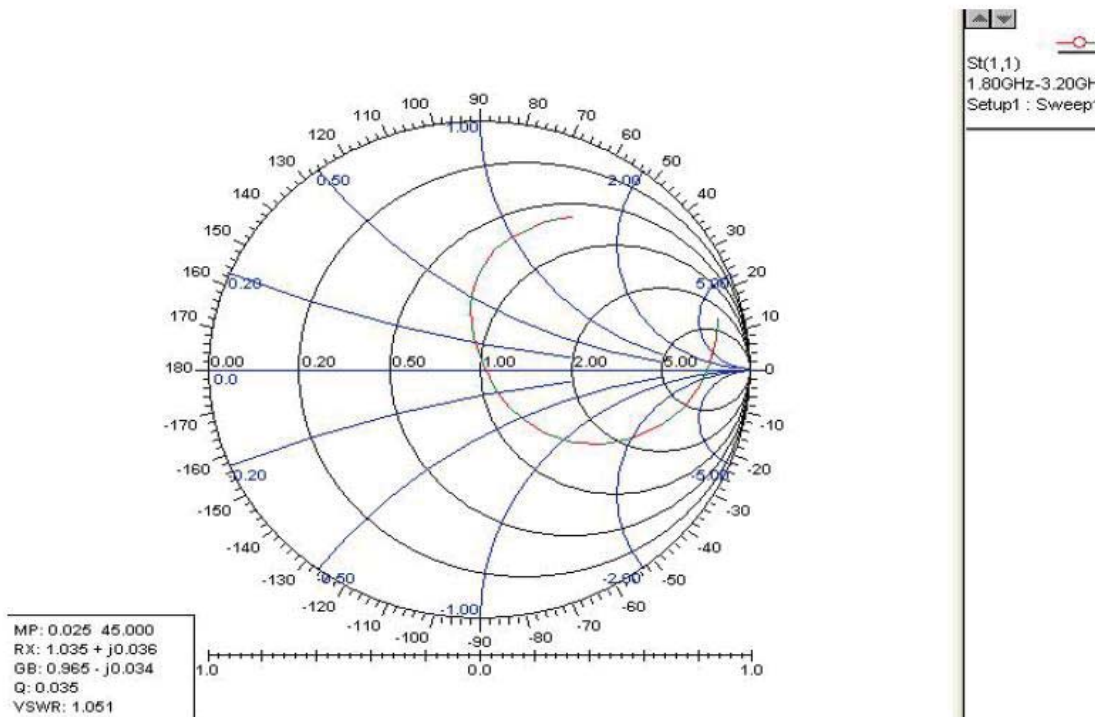


3: Measurement Result

3.1 Return Loss (S11)



3.2 Smith Chart

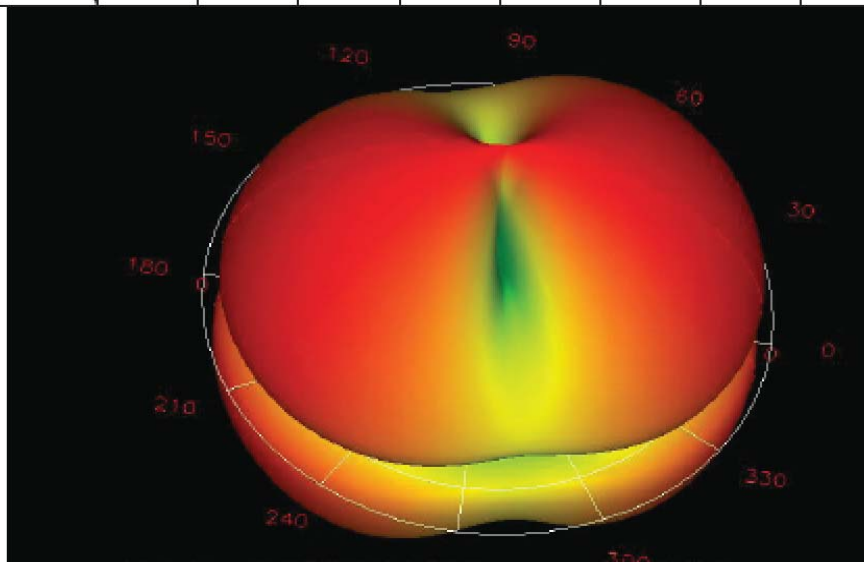


3.3 Gain

Radiation pattern@2.402GHZ

Total Average Gain:-0.475dbi

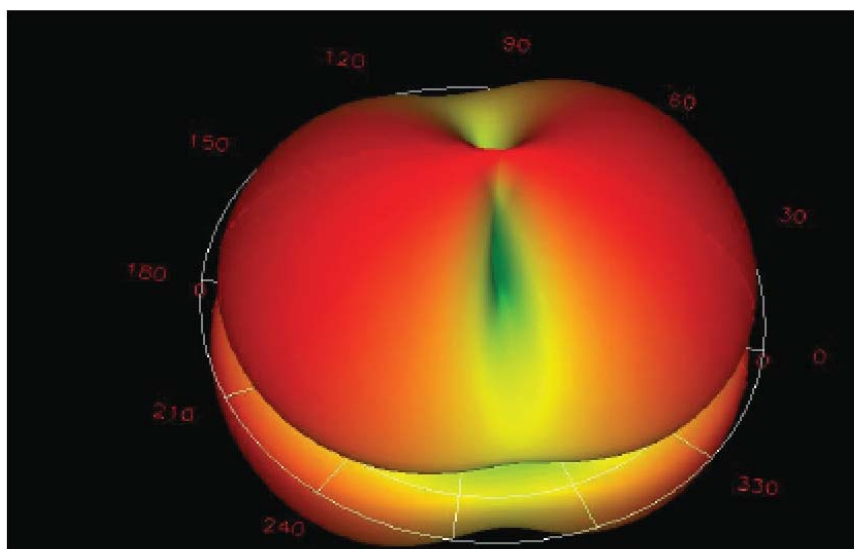
Phi	0	45	90	135	180	235	270	315
Gain	-0.1	-0.3	-0.8	-0.5	-0.2	-0.6	-0.8	-0.5



Radiation pattern@2.480GHZ

Total Average Gain:-0.237dbi

Phi	0	45	90	135	180	235	270	315
Gain	0	-0.1	-0.2	-0.5	0.6	-0.3	-0.6	-0.2



Radiation pattern@2.441GHZ

Total Average Gain:-0.265dbi

Phi	0	45	90	135	180	235	270	315
Gain	0	-0.1	-0.3	-0.6	-0.1	-0.2	-0.5	-0.4

