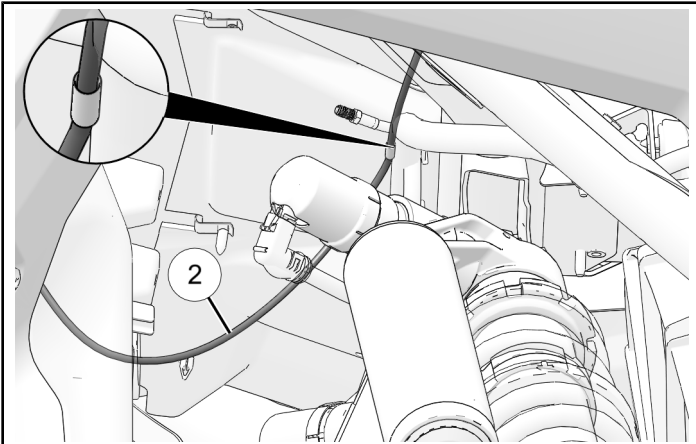
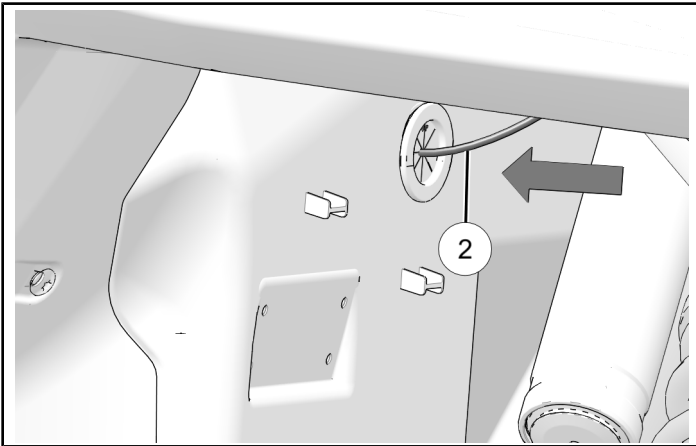


## ANTENNA HARNESS ROUTING

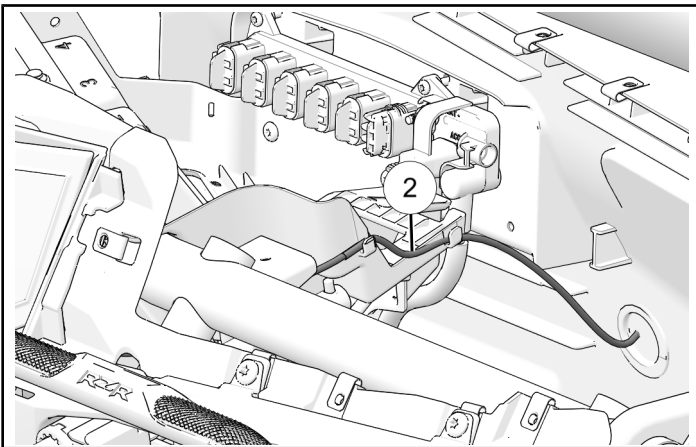
1. Begin routing harness ② towards firewall. Secure harness to electrical chassis harness with one cable tie ⑬ at taped location.



2. Pass harness ② through grommet in firewall.



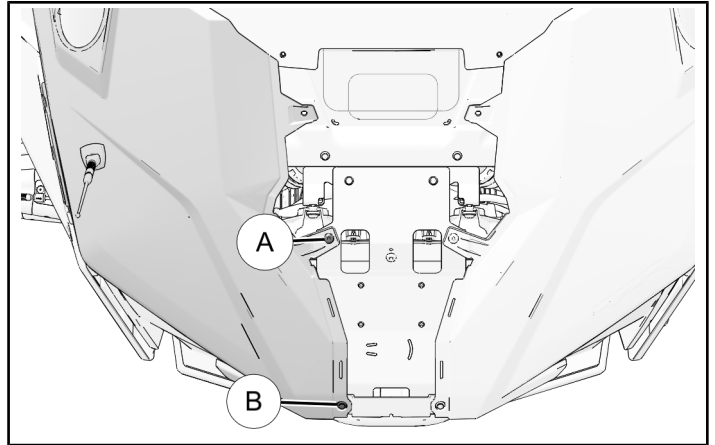
3. Route antenna harness ② along accessory mounting panel. Secure in tabs along edge of panel.



## RIGHT-HAND HOOD REASSEMBLY

1. Reinstall right-hand hood panel with one hood fastener ① and one push-pin rivet ②.

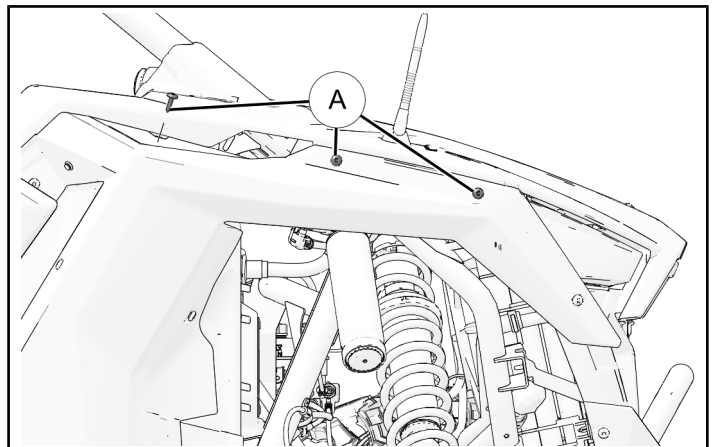
Do not torque hood fastener ① at this time.



2. Reinstall right-hand hood panel with three hood fasteners ①.

### TORQUE

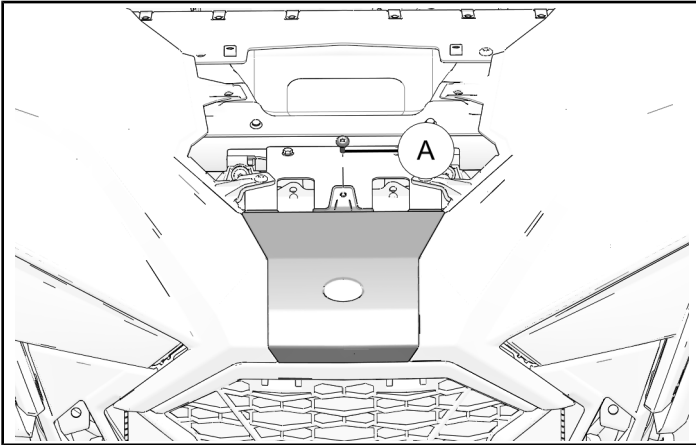
Hood Fasteners ①:  
**89 in-lbs (10 N·m)**



3. Reinstall hood nose panel with one fastener (A).

### TORQUE

Hood Fasteners (A):  
89 in-lbs (10 N·m)

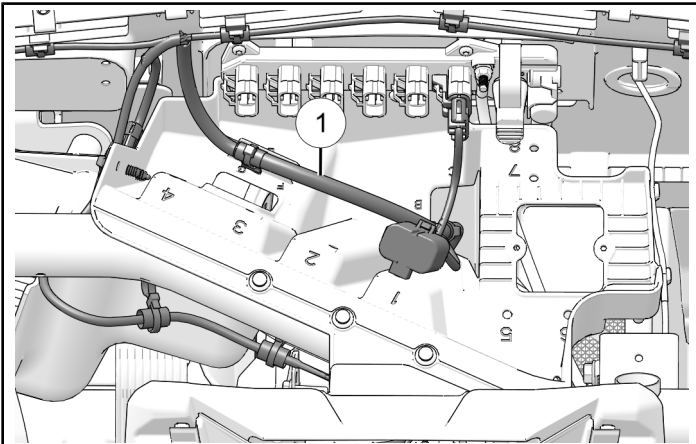


### AUDIO HARNESS ROUTING

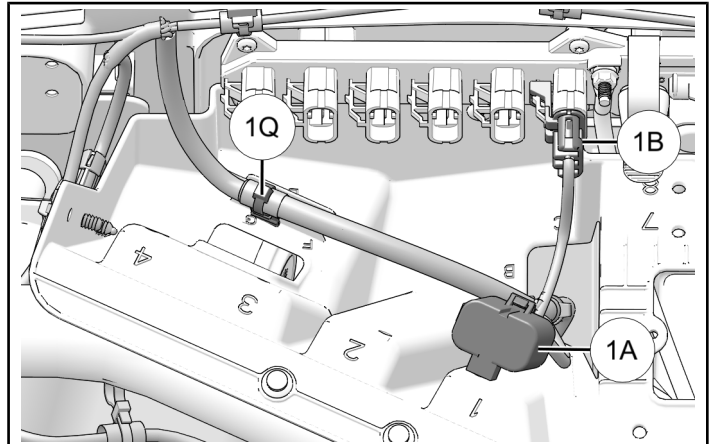
#### NOTE

See *Harness Detail* section, page 3, for connector identification.

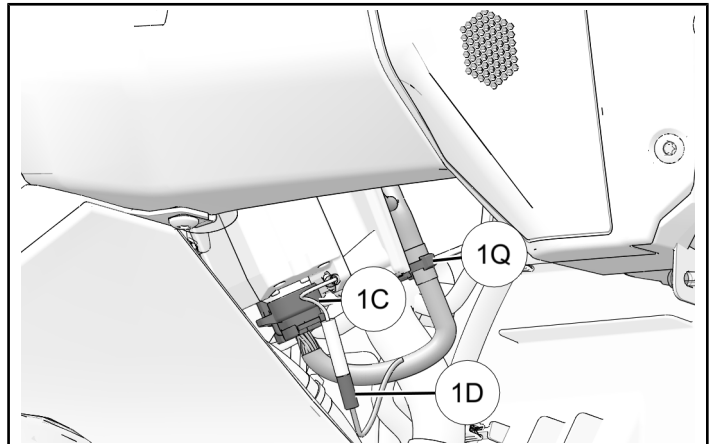
1. Place audio harness (1) in accessory mounting panel.



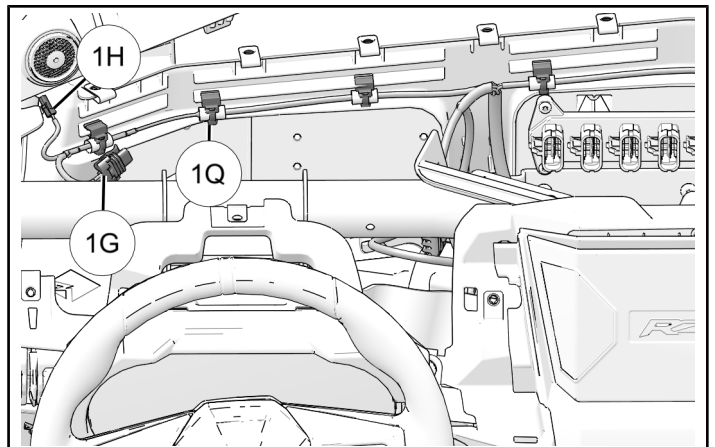
2. Install fuse relay 1A onto accessory mounting panel. Join power connector 1B to Polaris Pulse® bar. Secure harness to accessory mounting panel with one routing edge clip 1Q.



3. Route amplifier connector 1C and 1D through bottom opening of accessory mounting panel. Secure harness to accessory mounting panel with one routing edge clip 1Q. Join audio harness connectors 1C and 1D to amplifier.

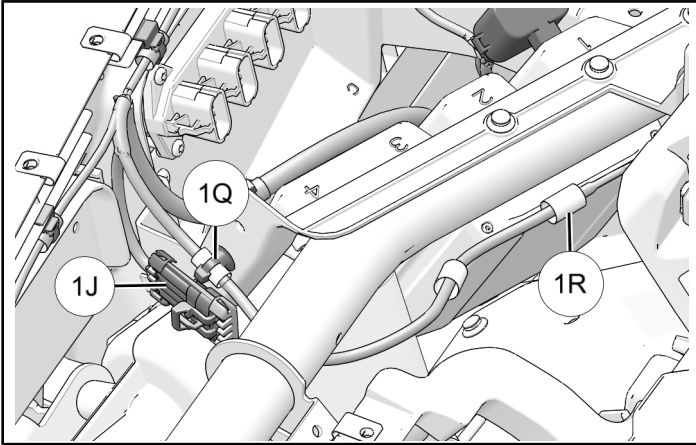


4. Route audio harness to driver side. Secure to front cab panel with four routing clips 1Q.

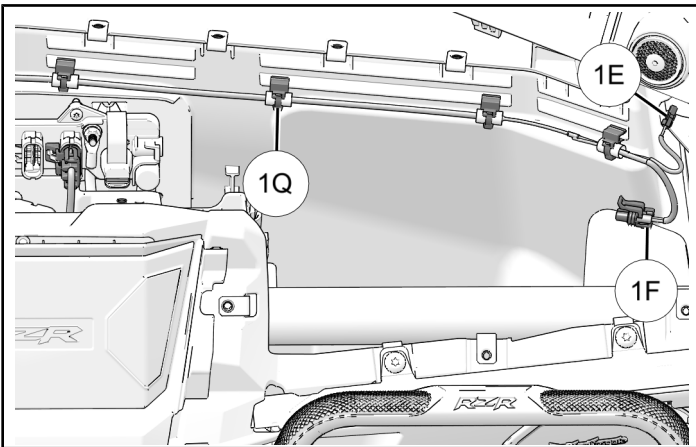


5. Join audio harness connector 1H to tweeter and connector 1G to driver.

- Route audio harness to head unit. Secure rear audio connector 1J to accessory mounting panel with attached push-pin. Secure audio harness to accessory mounting panel with routing clip 1Q. Secure audio harness to chassis electrical harness with two cable ties 1B at taped locations 1R.



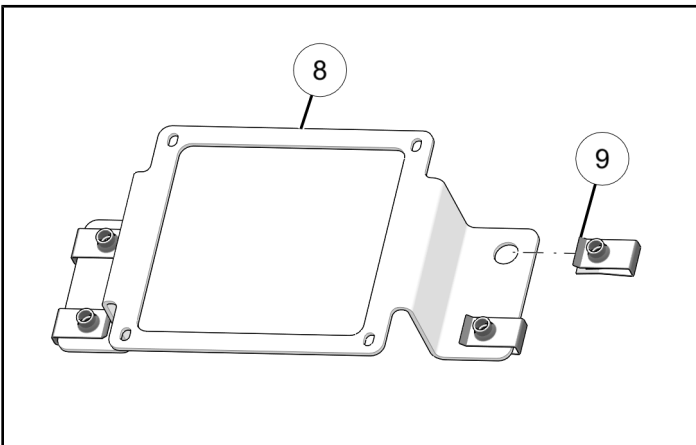
- Route audio harness to passenger side. Secure to front cab panel with four routing clips 1Q.



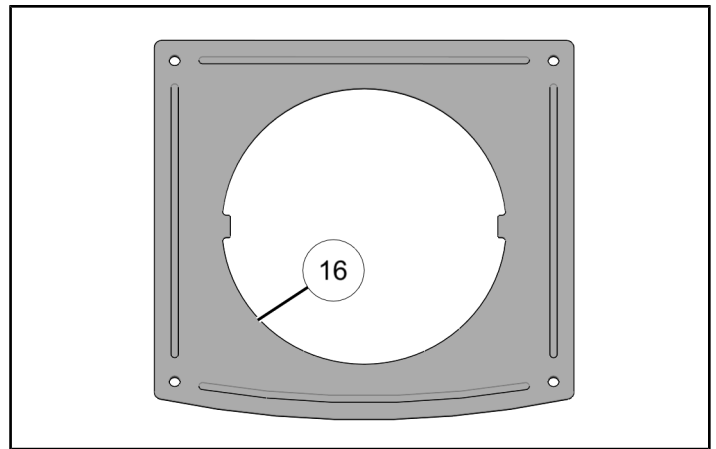
- Join audio harness connector 1E to tweeter and connector 1F to driver.

### HEAD UNIT INSTALLATION

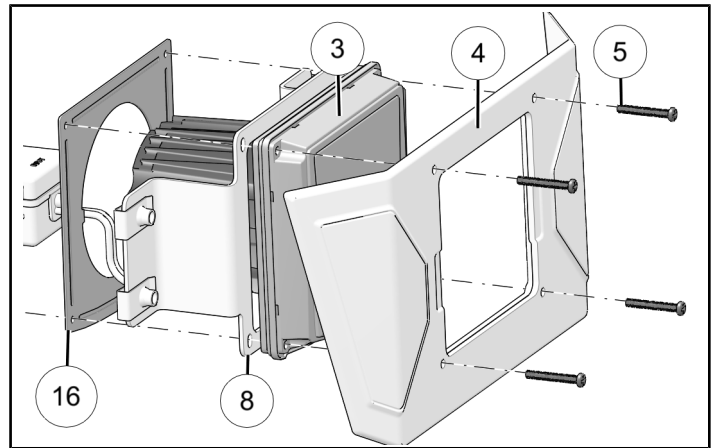
- Install U-clip nuts 9 onto dashboard bracket 8.



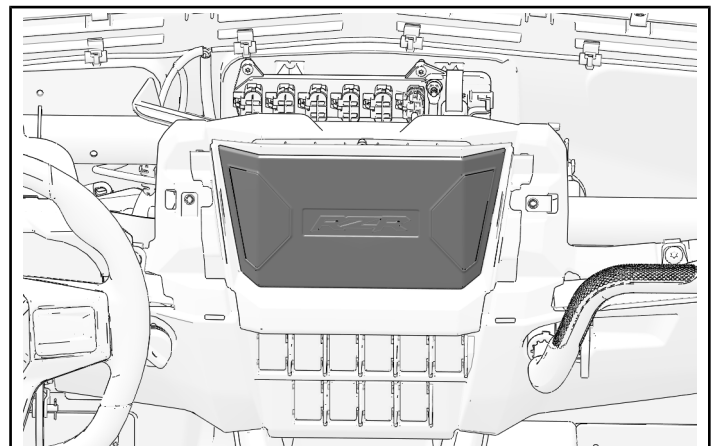
- Note orientation of back plate 16.



- Pass four fasteners 5 through display cover 4, PMX head unit 3, dashboard bracket 8, and hand-tighten to back plate 16.

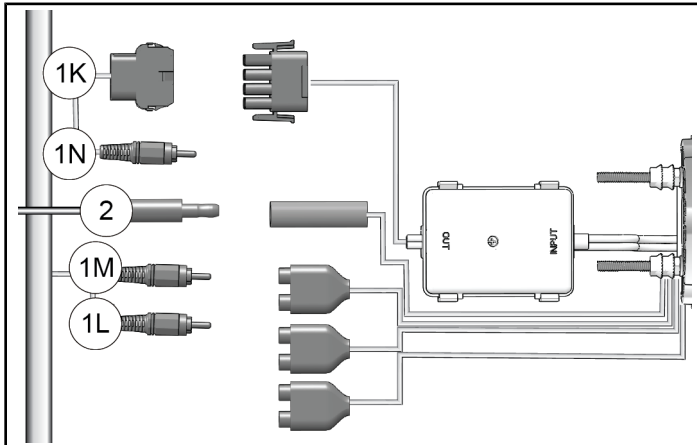


- Remove and discard cover panel.

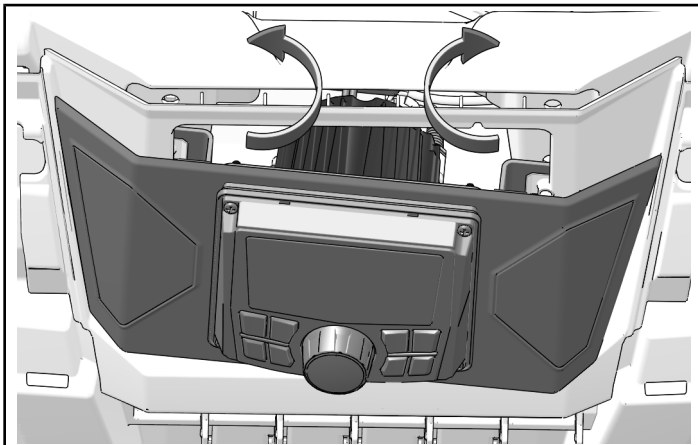


- Join PMX head unit to audio harness.

REF	CONNECTS TO
1K	PMX Head Unit Power
1N	Subwoofer
1M	White, Left Audio
1L	Red. Right Audio
2	Bullet Connector

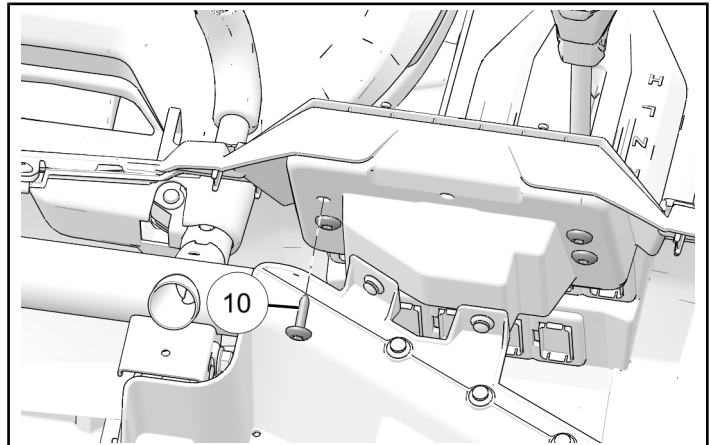


- Maneuver head unit assembly so that dashboard bracket is positioned inside of dashboard and cover panel is flush against dashboard front.

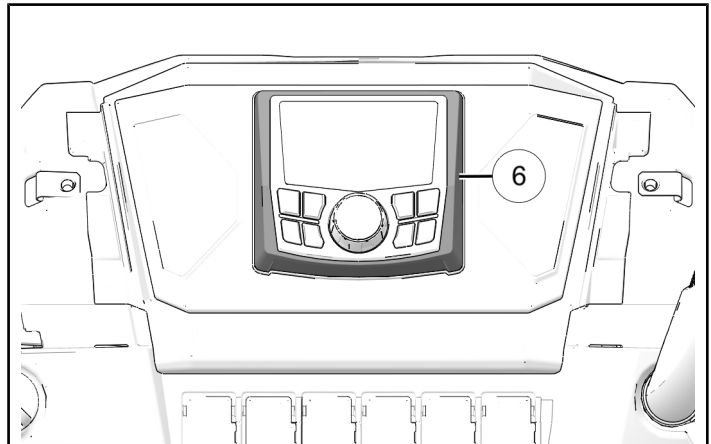


- Secure PMX head unit to dashboard with four fasteners ⑩.

TORQUE
Head Unit Fasteners ⑩ (assembly to vehicle): <b>89 in-lbs (10 N·m)</b>



- Push carefully on front cover ⑥ until it snaps in place.



## VEHICLE REASSEMBLY

### GENERAL

- Verify audio connection is operating properly before proceeding with vehicle reassembly.