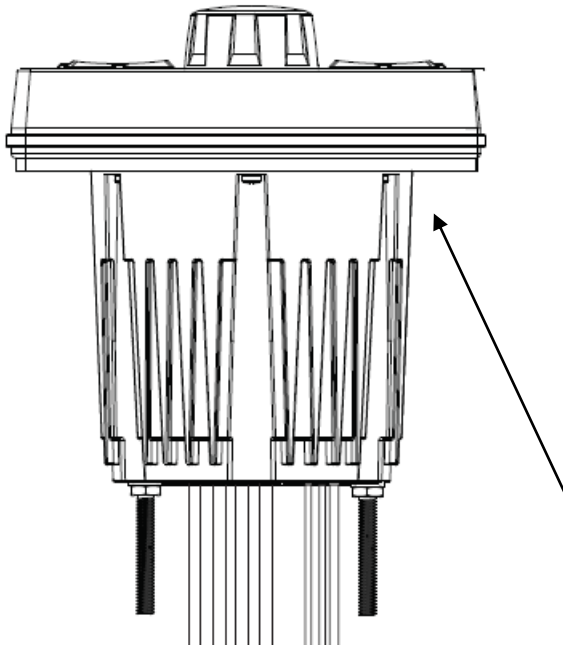


1. Label:



Label size: 70x50mm

2. Label location information:



Material: Aluminum film, Gloss Lamination

Color: Black background and silver lettering