

User's Manual

Model: BTS-26
FCC ID:2AA7L-BTS26

Bluetooth Speaker
(Splash-Proof)



This device complies with part 15 of the FCC Rules.
Operation is subject to the condition that this device
does not cause harmful interference
(1) this device may not cause harmful interference, and
(2) this device must accept any interference received,
including interference that may cause undesired operation.

A. Important

Don'ts

- Do not place naked flames, such as lighted candles on or near the product.
- Do not place objects filled with liquids, such as vases on or near the product.
- Do not use or store this product in a place where it is subject to direct sunlight, heat, excessive dust or vibration.
- Do not keep or store this product in wet conditions for long period.
- Do not push foreign objects into the slots or holes in the product.
- Do not attempt to open this product yourself. There are no user serviceable parts inside.
- Do not allow children access to plastic bags.

Safety Instructions

- Before using this product, read and follow all warnings and instructions.
- This product is not intended for use by young children. Young children should be properly supervised.
- This product is intended for household use only and not for commercial or industrial use.
- No naked flame sources, such as lighted candles, should be placed on the product.
- Ventilation should not be impeded by covering ventilation openings with items such as newspapers, table cloths, curtains and the like.
- Make sure the unit is adjusted to a stable position. Damage caused by using this product in an unstable position or by failure to follow any other warning or precaution contained within this user manual will not be covered by warranty.

We, suggests retaining the packaging in case for future transport of the product.

WARNING:

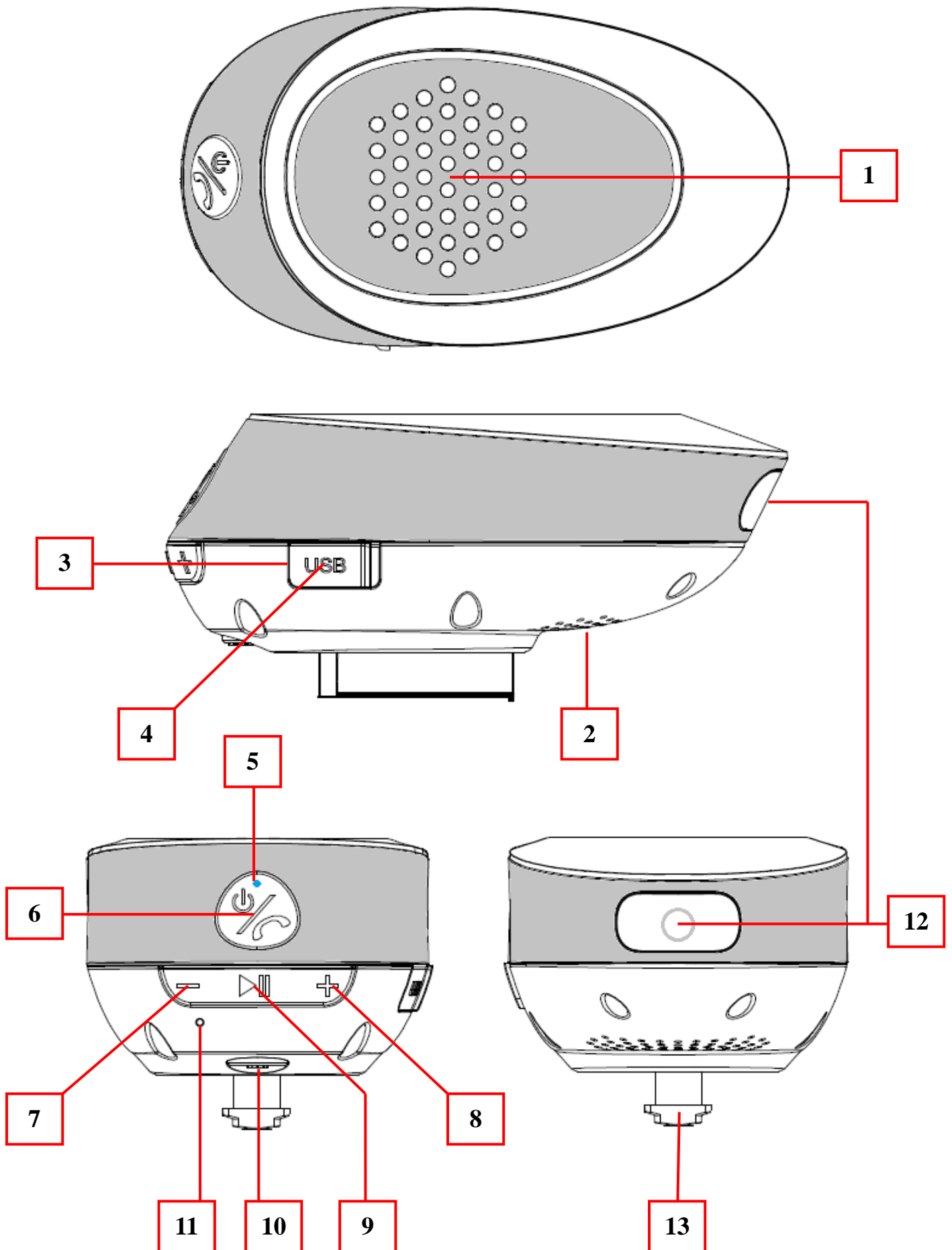


- Never remove the casing of this apparatus.
- Never place this apparatus on the other electrical equipment.

Caution for Splash-proof

- This unit has been constructed to resist for light splashes water or light rain. It should never be operated under running water and under no circumstances it should never be fully immersed in water.
- This unit has silicon seals cover to minimize the risk of moisture/rains water getting inside from USB port. However, do not immerse it in water since permanent damage to the electrical and mechanical parts will result.

B. Outlook and Controls



Item	Control
1	Loud Speaker
2	Built-In Bass Radiator
3	Silicon Seal Cover
4	Micro USB Socket (Under Silicon Seal Cover)
5	Mode LED Indicator (Red and Blue)
6	⏻ Button (ON / OFF, Pick up/hang up/Redial/Ignore)
7	⏪ Button (Previous, Volume down)
8	⏩ Button (Next, Volume up)
9	▶ Button (Play / Pause, New Pairing)
10	☀ Button (Torch light control; Light On (High)/ Light On (Mid) / Light Off)
11	MIC Hole (for Hand-Free)
12	Torch LED Light
13	Slot Foot (for bike mount bracket)

C. About the rechargeable Battery & Charging

a. Regarding the lithium rechargeable battery:

1. This device has an internal, non-user-replaceable battery. For best results, the first time you use this **Bike Bluetooth Speaker**, let it charge for about 2.5 ~ 3.5 hours or until the “**Mode LED (5)**” indicator turn Off from **red** light which show the battery is fully charged.
2. For maintain the battery life and performance, if device isn’t used for a while, the battery might need to be recharged. Recharge the battery at least once per month.

b. To recharge the built-in battery:

You can charge the Bike Bluetooth Speaker’s battery in two ways:

1. Connect it to the Computer. Or,
2. Use the USB power charger. (*not included*)


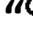
c. Connection and Charging:

1. Open the “**Silicon Seal Cover (3)**” and connects the Bike Bluetooth Speaker’s “**Micro USB Socket (4)**” with the Computer’s USB port through the USB cable.
2. The “**Mode LED (5)**” indicator will turn On in **red** light, the battery is in charging.
3. The “**Mode LED (5)**” indicator will turn Off from **red** light when it’s fully charged.
4. Disconnect the USB cable when it is done.

Mode LED Function for charge:

Item	Charge Mode	LED Status
1.	In Charging:	Red light On
2.	Charge Completed:	Red light Off

D. Power ON and Pairing

1. Press and hold the “ (6)” button for 2 ~ 3 seconds to turn On the device, a series of tones will sound and the “**Mode LED (5)**” will fast blinking in blue (half second once). It is in Bluetooth’s searching or pairing mode;
2. Then, activate the Bluetooth function in your mobile device (such as Mobile Phone, MID or Personal Computer); the mobile device will enter to Bluetooth searching mode automatically, if not, tap the relate selection to manually enter to searching mode. (*refer to your mobile device’s manual when necessary*)
3. Your mobile device should show **BTS26** in list, and then select it for pairing. Waiting for some seconds, then you will see connected message as shown on your mobile Bluetooth device when they are connected and paired.
4. For some mobile Bluetooth devices, you may need to input “0000” as pairing password.
5. However, if pairing is successful, the “**Mode LED (5)**” indicator will switch to slow blinking from fast.
6. Now, you can start to music play from the mobile device by it music player program.
7. Press and hold the “ (6)” button to turn Off the device when it is not in use.

Mode LED Function for Bluetooth:

Item	Mode	Description	LED Status
1.	Power OFF		Light Off
2.	Power ON	At BT pairing mode	Light fast blinking in blue (half second once)
		At BT paired mode	Light slow blinking in blue (4 seconds once)

Note: For saving battery energy, the *Bike Bluetooth Speaker* will turn to off mode automatically when no device is in paired in 8 minutes.

E. Disconnect from paired device

1. To disconnect with paired device and for better result, turn OFF the *Bike Bluetooth Speaker* by power ON/OFF button directly. Or,
2. You can choose disconnect from the mobile device’s list by the paired device, however, most devices will go back to reconnection mode in seconds. Means the *Bike Bluetooth Speaker* may again reconnected with the paired device within some seconds automatically. So, turn OFF the Bluetooth function on you mobile device in this case if you want.

F. Auto re-connect with paired device and New pairing

1. Every time you turn On the **Bike Bluetooth Speaker** power; it will firstly searching for the mobile device, which has been paired previously and still in record. The **Bike Bluetooth Speaker** will re-connect this mobile device as priority if it is in Bluetooth searching device mode.
2. If not found in some seconds, the **Bike Bluetooth Speaker** then is turn into new pairing mode internally.
3. Now you can process for new mobile device pair. (refer to item D.2~5 methods)

G. Switch to new pairing from connected mode

1. In Bluetooth connected mode, you can switch the Bluetooth Speaker into Bluetooth searching mode for paring with the new device at any time you desired;
2. Press and hold the “▶| (9)” button until a series of tones sound and the “**Mode LED (5)**” will turn back to fast blinking in blue.
3. Now you can process for new mobile device pair. (refer to item D.2~5 methods)

H. Bluetooth Music Playing Control Function

a. On your Bluetooth Device:

1. Switch to music play mode and choose music to start the play, select music by using ◀◀ / ▶▶ button/icon, Play/Pause the playing music by using ▶| button/icon. And,
2. Adjust the volume level by using device’s volume control “**Down / Up**” button/icon on your Bluetooth device. (refer to your device user’s manual when necessary)

b. On Bike Bluetooth Speaker:

1. In playing music, press “▶| (9)” button to pause the music. To resume the music press it again.
2. Press and hold the “+ (8)” button to increases the volume level.
3. Press and hold the “- (7)” button to decreases the volume level.
4. When maximum or minimum volume is reached, a series of tones will sound.
5. Press once the “+ (8)” button to next music.
6. Press once the “- (7)” button to previous music.

I. Hand Free Function

1. When there is an in-coming call;
2. The ringing sound will up and the playing music will pause automatically.
3. Press and hold the “☎ (6)” button to ignore the in-coming call if you

want. Or;

4. Press the “☎ (6)” button to pick up the call.
5. Now you have hand free function with the Bluetooth speaker.
6. Press the “☎ (6)” button again to hang up the call when finished.
7. To reject the incoming call, press the “☎ (6)” button twice to ignore.
8. The paused music will resume playing automatically.

Tip: speak to the “MIC (11)” hole direct with distance in 30 ~ 60cm to get the best speakerphone performance when necessary.

J. Redial For Last Call Function

1. To redial for last called number by the Bike Bluetooth Speaker, even it is in music playing mode.
2. Press the “☎ (6)” button twice to enter into redial function, the playing will pause and switch to hand free function for redial.
3. Press the “☎ (6)” button again to hang up the redial call.
4. Make sure that your mobile phone has have last dial call used, if not, the redial for last call function cannot be activated.

K. Low Power Reminder And Auto Sleep

1. The **Bike Bluetooth Speaker** will send tones sound from speaker, if the rechargeable lithium battery running at low energy, when you heard this sounds, please connect the device to the computer or USB power for charging, if you still want to use the device.
2. If not, the **Bike Bluetooth Speaker** will power Off automatically when the battery is keeping low energy level in some minutes.
3. In this case, the device cannot be turned On, until you recharging the battery at least 10 ~ 15 minutes, because the rechargeable battery has not enough energy.

L. Use Torch Light

1. Press the “☼ (10)” button to turn On the LED torch light.
2. Press it again to lower the torch light brightness if you want and press it once again to turn Off.

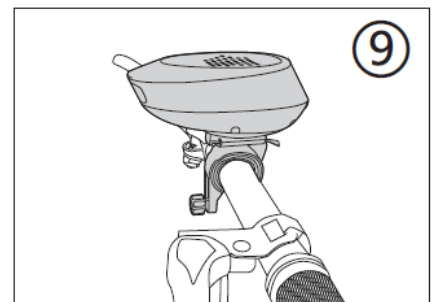
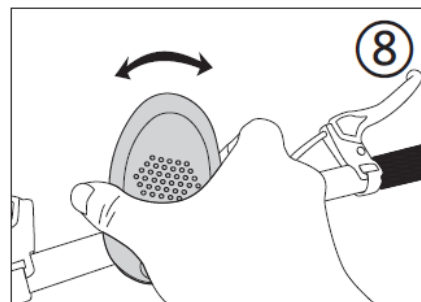
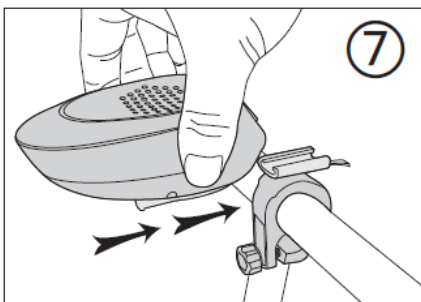
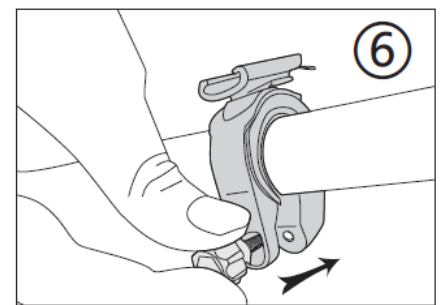
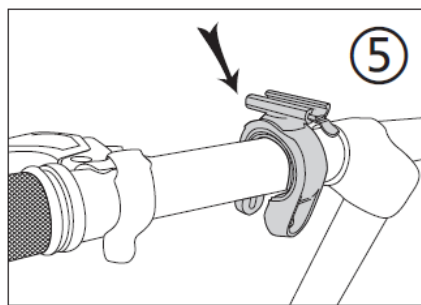
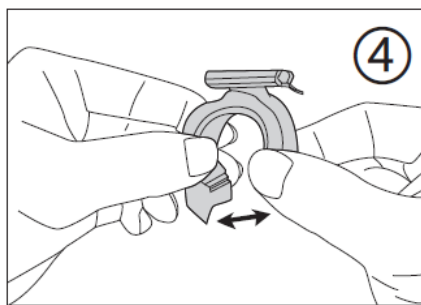
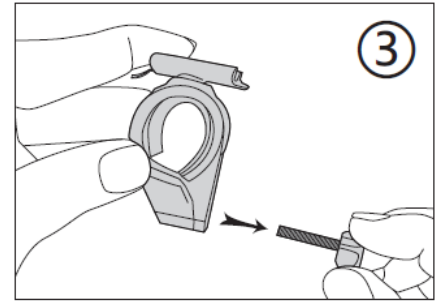
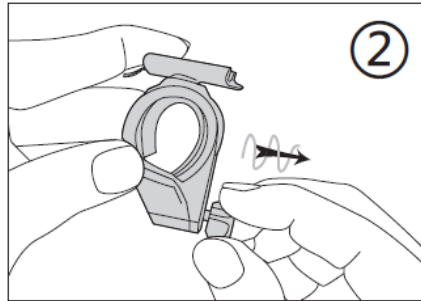
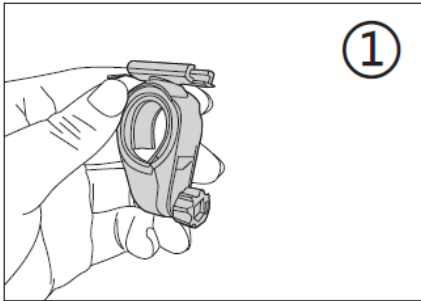
M. Reset the Bike Bluetooth Speaker

1. In some circumstances the device’s function may hanging and need to reset. To do this;
2. Press the “— (7)” and “+ (8)” buttons at the same time, the device should reset and turn itself to Off automatically.
3. And now, power On the Bike Bluetooth Speaker by press and hold the “☎ (6)” button for 2 ~ 3 seconds.

Important: Do not reset the device if it is proper working.

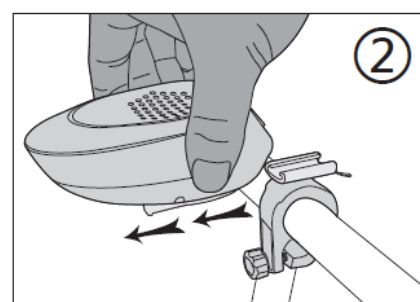
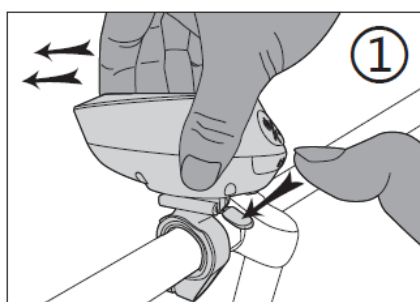
N. Bike Mount Bracket Installation

1. To mount the Bike Bluetooth Speaker on the handlebar of bicycle;
2. Use provided Bike Mount Bracket and to see the following illustration to install:



Remark: the provided Bike Mount Bracket included 3 pcs different size of rubber pad for adjusts to fit your bicycle's handlebar, decrease number of them when necessary.

3. To remove the Bike Bluetooth Speaker from the Bike mount Bracket and handlebar:



O. Splash-Proof Handling

1. The **Bike Bluetooth Speaker** can handle a brief jet of water on its surface (Splash-Proof IPX4). However, it should never be operated under running water and under no circumstance it should never be fully immersed in water.
2. Before use the **Bike Bluetooth speaker**, make sure that the “**Silicon Seal Cover (3)**” tightens closed at the right position.
3. After used, always wipe the outside of the cabinet thoroughly if it becomes wet with moisture or water splashes. This will help to prevent the internal parts of the unit from entry of water and possible moisture damage.

P. Trouble Shooting

No power	<ul style="list-style-type: none">• Check battery is it charged with enough energy.• Check whether the device is in power OFF mode.
No sound	<ul style="list-style-type: none">• Check whether volume level is in lower position on your speaker and mobile phone or PC/Mac.• Make sure that your Bluetooth device is within the effective operation range.• Check whether the Bluetooth device is paired.• Check whether the Bluetooth device show connected.• Check if you have selected the correct audio source.
No response from speaker	<ul style="list-style-type: none">• Reset and restart the device by using reset function.

Q. Technical Specification

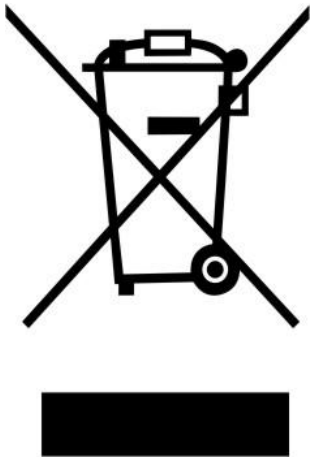
Dimension	115 mm (L) x 65 mm (W) x 55 mm (H) (Not included Bike Mount Bracket)	
Weight	130g (Approximate) (Not included Bike Mount Bracket)	
Bluetooth	Specification	V4.1+EDR
	Supported Profile	A2DP, AVRCP, HFP
	Connection Distance	In 10 meters (open area)
Built-In Battery	Lithium 3.7V, 1050mAh	
	Playing Time: 5 ~ 6 Hours (at 75% ~ 80% of volume setting)	
Power Source	Micro USB Port	
	PC's USB port Power or DC 5V, 500mA	
Audio	Output Power	4W (RMS) at 4 Ohm
	Freq. Responses	80Hz to 18,000Hz

Torch Light	Scattered Brightness	High : 100 Lux (1m) Mid. : 45 Lux (1m)
Water Resistance	Splash-Proof	IPX4
Operating Temperature	0 to 40°C	

R. Disclaimer

Updates to Firmware and/or hardware components are made regularly. Therefore some of the instruction, specifications and pictures in this documentation may differ slightly from your particular situation. All items described in this guide for illustration purposes only and may not apply to particular situation. No legal right or entitlements may be obtained from the description made in this manual.

S. Recycling



This symbol indicates that the relevant electrical product or battery should not be disposed of as general household waste in Europe. To ensure the correct waste treatment of the product and battery, please dispose them in accordance to any applicable local laws of requirement for disposal of electrical equipment or batteries. In so doing, you will help to conserve natural resources and improve standards of environmental protection in treatment and disposal of electrical waste (Waste Electrical and Electronic Equipment Directive).

This device complies with part 15 of the FCC Rules. Operation is subject to the condition that this device does not cause harmful interference (1) this device may not cause harmful interference, and (2) this device must accept any interference received, including interference that may cause undesired operation.

Changes or modifications not expressly approved by the party responsible for compliance could void the user's authority to operate the equipment.

NOTE: This equipment has been tested and found to comply with the limits for a Class B digital device, pursuant to Part 15 of the FCC Rules. These limits are designed to provide reasonable protection against harmful interference in a residential installation. This equipment generates, uses and can radiate radio frequency energy and, if not installed and used in accordance with the instructions, may cause harmful interference to radio communications. However, there is no guarantee that interference will not occur in a particular installation. If this equipment does cause harmful interference to radio or television reception, which can be determined by turning the equipment off and on, the user is encouraged to try to correct the interference by one or more of the following measures:

- Reorient or relocate the receiving antenna.
- Increase the separation between the equipment and receiver.
- Connect the equipment into an outlet on a circuit different from that to which the receiver is connected.
- Consult the dealer or an experienced radio/TV technician for help.

The device has been evaluated to meet general RF exposure requirement. The device can be used in portable exposure condition without restriction.

FCC ID: 2AA7L-BTS26