



**Now Available in 2 versions: 30° & 36°
Narrow Beam, High Gain Antenna**

Applications

- Open Road Tolling
- Multi-Lane Free Flow
- Single Lane Plaza
- Fleet Management
- Congestion Road Pricing
- Vehicle Registration



Product Description

Avior tolling antenna is designed and built specifically to be an over-the-road antenna for high speed tolling systems.

With its unique and patented design, Avior creates an ideal read zone in Open Road Tolling, Multi-Lane Free Flow or in a Single Lane Plaza based All-Electronic Tolling (AET) Systems.

Avior provides the power to assure that read rates at high speed are not only maximized, but also isolated to the desired read zone, minimizing cross-lane reads and adjacent lane interference.

The reduced footprint and weight make Avior unique in the market compared to competitive products. Its improved smaller size makes it perfect for efficient and safe installation over roads. Economically speaking, its compact size reduces shipping and storage cost while making installation easier.

The Avior-30° is a wideband design which operates in the 865 - 925 MHz range. The Avior-36° is specifically tuned to perform in the 902 - 928 MHz range. Built from heavy duty aluminum with a full IP-67 housing, the Avior is meant to last in the harshest roadside environments.



STAR Systems International Ltd.
Unit 7B, 8/F Vanta Industrial Centre
21-33 Tai Lin Pai Road, Kwai Chung
Hong Kong

 www.star-int.net
 +852 3691-9925
 sales@star-int.net

Copyright © 2022 Version 5.0



Specifications

Electrical

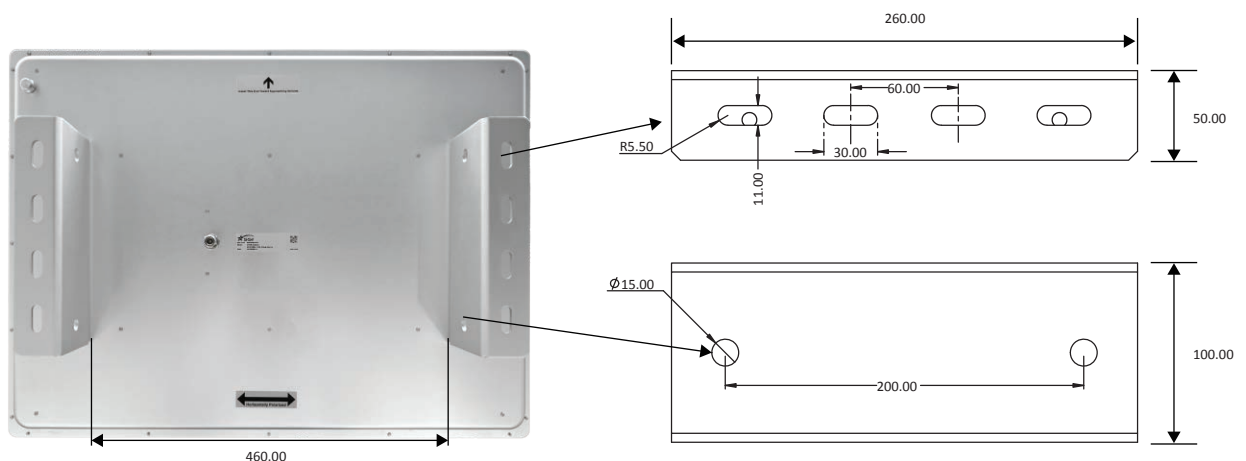
Model	Avior-30°	Avior-36°
Frequency Range	865 - 928 MHz (FCC & ETSI)	902 - 928 MHz (FCC)
Gain	15 dBi	14 dBi
Return Loss	Below -15 dB	
Horizontal Beamwidth	30°	36°
Vertical Beamwidth	34° - 36°	38°
Polarization	Linear Horizontal	
Max. Input Power	6 Watt	
Impedance	50 Ω	
RoHS Compliance	Yes	
IP Rating	IP67	
Connector	N-Type Female	

Mechanical

Dimensions	Antenna	698 x 518 x 31 mm (Excludes mounting bracket)
	Mounting Bracket	260 x 50 x 100 mm
Weight		6.3 kg (Includes mounting bracket)
Mounting Kit		Included (Two U-bolt kits)

Environmental

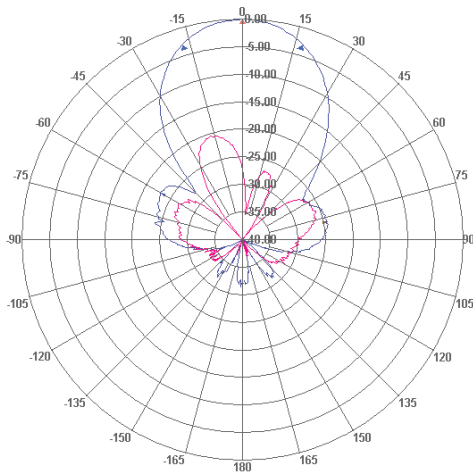
Operating Temperature	-55 °C to +71 °C
Humidity	95% \pm 5% (at 30 °C)



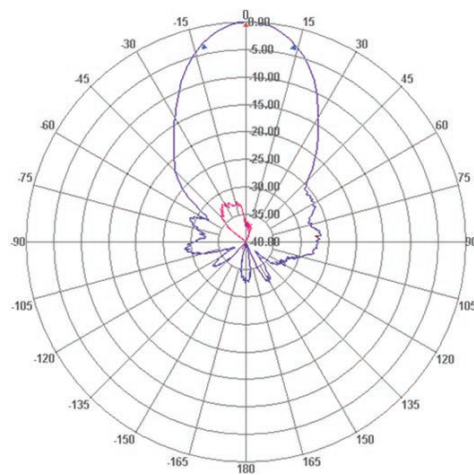
Unit: mm

Radiation Pattern

Avior-30°

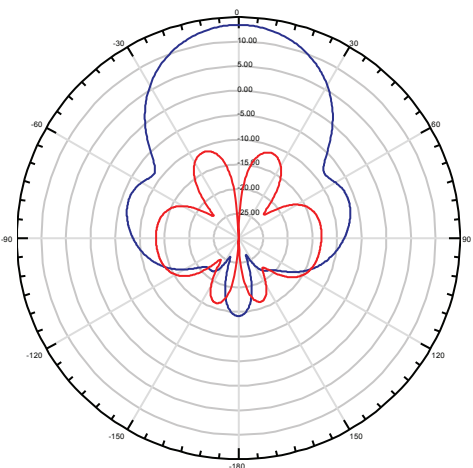


Vertical Plane

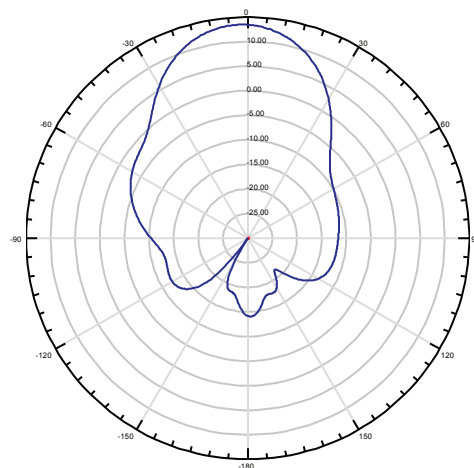


Horizontal Plane

Avior-36°



Vertical Plane



Horizontal Plane