



Shenzhen CTL Electromagnetic Technology Co., Ltd.
Tel: +86-755-89486194 Fax: +86-755-89486194-805

FCC PART 15 SUBPART C TEST REPORT

FCC Part 15.249

Report Reference No......: **CTL1308271355-WF**

Compiled by

(position+printed name+signature)...: File administrators Jacky Chen

Jacky Chen

Name of the organization performing the tests

Test Engineer Tracy Qi

Tracy Qi

(position+printed name+signature)...:

Approved by

(position+printed name+signature)...: Manager Tracy Qi

Tracy Qi

Date of issue.....: Sept. 29, 2013

Representative Laboratory Name : **Shenzhen CTL Electromagnetic Technology Co., Ltd.**

Address.....: Floor 1-A, Baisha Technology Park, No. 3011, Shahexi Road, Nanshan, Shenzhen 518055 China.

Test Firm.....: **Bontek Compliance Testing Laboratory Ltd**

Address.....: 1/F, Block East H-3, OCT Eastern Ind. Zone, Qiaocheng East Road, Nanshan, Shenzhen, China

Applicant's name.....: **INMOTION Technologies Co., Ltd**

Address.....: 1st Floor, Building No.711, West Side of PengJi Industrial Zone, Liantang, Luohu District, Shenzhen City, Guangdong Province, P.R. China

Test specification:

Standard: **FCC Part 15.249**: Operation within the bands 920-928 MHz, 2400-2483.5 MHz, 5725-5850 MHz and 24.0 - 24.25 GHz.

TRF Originator.....: Shenzhen CTL Electromagnetic Technology Co., Ltd.

Master TRF.....: Dated 2011-01

Shenzhen CTL Electromagnetic Technology Co., Ltd. All rights reserved.

This publication may be reproduced in whole or in part for non-commercial purposes as long as the Shenzhen CTL Electromagnetic Technology Co., Ltd. is acknowledged as copyright owner and source of the material. Shenzhen CTL Electromagnetic Technology Co., Ltd. takes no responsibility for and will not assume liability for damages resulting from the reader's interpretation of the reproduced material due to its placement and context.

Test item description : INMOTION R1 Smart Key

Trade Mark: INMOTION

Models/Type reference.....: INMOTION R1 Smart Key, INMOTION R1X Smart Key, INMOTION R1XX Smart Key

Modulation: FHSS

Work Frequency.....: 2403MHz~2479MHz

Antenna Type.....: internal

FCC ID: **2AA73INMOTIONR1SK**

Result.....: **Positive**

TEST REPORT

Test Report No. :	CTL1308271355-WF	Sept. 29, 2013
		Date of issue

Equipment under Test : INMOTION R1 Smart Key

Model /Type : INMOTION R1 Smart Key

Listed Models : INMOTION R1X Smart Key, INMOTION R1XX Smart Key

Difference Description : Only the model's name is different.

Applicant : **INMOTION Technologies Co., Ltd**

Address : 1st Floor, Building No.711, West Side of Pengji Industrial Zone, Liantang, Luohu District, Shenzhen City, Guangdong Province, P.R. China

Manufacturer : **INMOTION Technologies Co., Ltd**

Address : 1st Floor, Building No.711, West Side of Pengji Industrial Zone, Liantang, Luohu District, Shenzhen City, Guangdong Province, P.R. China



Test Result according to the standards on page 4:	Positive
--	-----------------

The test report merely corresponds to the test sample.
 It is not permitted to copy extracts of these test result without the written permission of the test laboratory.

Contents

1. TEST STANDARDS	4
2. SUMMARY	5
2.1. General Remarks	5
2.2. Equipment Under Test	5
2.3. Short description of the Equipment under Test (EUT)	5
2.4. EUT operation mode	6
2.5. EUT configuration	6
2.6. Related Submittal(s) / Grant (s).....	6
2.7. Modifications	6
3. TEST ENVIRONMENT	7
3.1. Address of the test laboratory	7
3.2. Test Facility	7
3.3. Environmental conditions	7
3.4. Configuration of Tested System	7
3.5. Statement of the measurement uncertainty	7
3.6. Equipments Used during the Test	8
4. TEST CONDITIONS AND RESULTS	9
4.1. Conducted Emissions Test	9
4.2. Radiated Emission Test	12
4.3. Band Edge Measurement.....	17
5. ANTENNA REQUIREMENT	21
6. TEST SETUP PHOTOS OF THE EUT	22
7. EXTERNAL AND INTERNAL PHOTOS OF THE EUT.....	24

1. TEST STANDARDS

The tests were performed according to following standards:

[FCC Rules Part 15.249](#): Operation within the bands 902 - 928 MHz, 2400 - 2483.5 MHz, 5725 - 5875 MHz, and 24.0 - 24.25 GHz.

[ANSI C63.4-2003](#)



2. SUMMARY

2.1. General Remarks

Date of receipt of test sample : Aug. 28, 2013

Testing commenced on : Aug. 28, 2013

Testing concluded on : Sept. 27, 2013

2.2. Equipment Under Test

Power supply system utilised

Power supply voltage : 120V / 60 Hz 115V / 60Hz
 12 V DC 24 V DC
 Other (specified in blank below)

DC 3.7V from battery

2.3. Short description of the Equipment under Test (EUT)

The EUT is a INMOTION R1 Smart Key work at 2402~2480 MHz.

Channel List:

Channel	Frequency (MHz)	Channel	Frequency (MHz)	Channel	Frequency (MHz)
01	2403	27	2429	54	2456
02	2404	28	2430	55	2457
03	2405	29	2431	56	2458
04	2406	30	2432	57	2459
05	2407	31	2433	58	2460
06	2408	32	2434	59	2461
07	2409	33	2435	60	2462
08	2410	34	2436	61	2463
09	2411	35	2437	62	2464
10	2412	36	2438	63	2465
11	2413	37	2439	64	2466
12	2414	38	2440	65	2467
13	2415	39	2441	66	2468
14	2416	40	2442	67	2469
15	2417	41	2443	68	2470
16	2418	42	2444	69	2471
17	2419	43	2445	70	2472
18	2420	44	2446	71	2473
19	2421	45	2447	72	2474
20	2422	46	2448	73	2475
21	2423	47	2449	74	2476
22	2424	48	2450	75	2477
23	2425	49	2451	76	2478
24	2426	50	2452	77	2479
25	2427	51	2453		
26	2428	52	2454		
		53	2455		

Power Range: -5dBm~5dBm

For more details, refer to the user's manual of the EUT.

Serial number: Prototype

2.4. EUT operation mode

Test Mode(TM)	Description	Remark
TM1	Bottom Channel Transmitting	/
TM2	Middle Channel Transmitting	/
TM3	Top Channel Transmitting	/
TM4	Charging	USB power by PC

The field strength of radiation emission was measured in the following position: EUT stand-up position (Y axis), lie-down position (X, Z axis).

The following data show only with the worst case setup.

The worst case of Y axis was reported.

Based on client request, all normal using modes of the normal function were tested but only the worst test data of the worst mode is reported by this report.

Remark: The worst case mode is TM1 reported for unwanted emission and band edge test.

2.5. EUT configuration

The following peripheral devices and interface cables were connected during the measurement:

- - supplied by the manufacturer
- - supplied by the lab
- Notebook PC

Manufacturer : DELL

Model No. : PP18L

2.6. Related Submittal(s) / Grant (s)

This submittal(s) (test report) is intended for FCC ID: 2AA73INMOTIONR1SK filing to comply with Section 15.249 of the FCC Part 15, Subpart C Rules.

2.7. Modifications

No modifications were implemented to meet testing criteria.

3. TEST ENVIRONMENT

3.1. Address of the test laboratory

Bontek Compliance Testing Laboratory Ltd

1/F, Block East H-3, OCT Eastern Ind. Zone, Qiaocheng East Road, Nanshan, Shenzhen, China

The sites are constructed in conformance with the requirements of ANSI C63.7, ANSI C63.4 (2003) and CISPR Publication 22.

3.2. Test Facility

The test facility is recognized, certified, or accredited by the following organizations:

IC Registration No.: 7631A

The 3m alternate test site of Bontek Compliance Testing Laboratory Ltd EMC Laboratory has been registered by Certification and Engineer Bureau of Industry Canada for the performance of with Registration NO.: 7631A on March, 2011.

FCC-Registration No.: 338263

Bontek Compliance Testing Laboratory Ltd EMC Laboratory has been registered and fully described in a report filed with the (FCC) Federal Communications Commission. The acceptance letter from the FCC is maintained in our files. Registration 338263, March 24, 2008.

3.3. Environmental conditions

During the measurement the environmental conditions were within the listed ranges:

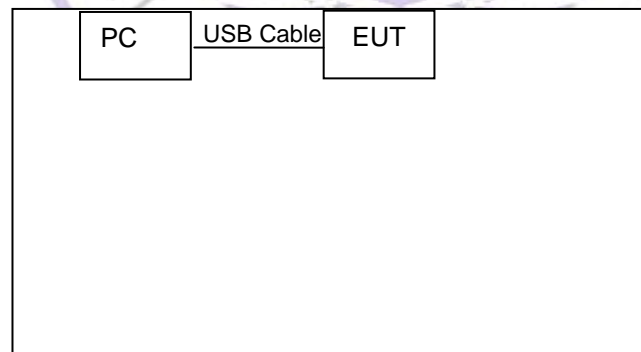
Temperature: 15-35 ° C

Humidity: 30-60 %

Atmospheric pressure: 950-1050mbar

3.4. Configuration of Tested System

Fig. 2-1 Configuration of Tested System



Cable List and Details

Cable Description	Length (M)	Shielded/Unshielded	With Core/Without Core
USB Cable	1.2	Unshielded	Without Core

3.5. Statement of the measurement uncertainty

The data and results referenced in this document are true and accurate. The reader is cautioned that there may be errors within the calibration limits of the equipment and facilities. The measurement uncertainty was calculated for all measurements listed in this test report acc. to CISPR 16 - 4 „Specification for radio disturbance and immunity measuring apparatus and methods – Part 4: Uncertainty in EMC Measurements“ and is documented in the Bontek Compliance Testing Laboratory Ltd quality system acc. to DIN EN ISO/IEC 17025. Furthermore, component and process variability of devices similar to that tested may

result in additional deviation. The manufacturer has the sole responsibility of continued compliance of the device.

Hereafter the best measurement capability for Bontek laboratory is reported:

Test	Range	Measurement Uncertainty	Notes
Radiated Emission	30~1000MHz	4.10dB	(1)
Radiated Emission	1~26.5GHz	4.32dB	(1)
Conducted Disturbance	0.15~30MHz	3.20dB	(1)

(1) This uncertainty represents an expanded uncertainty expressed at approximately the 95% confidence level using a coverage factor of k=2.

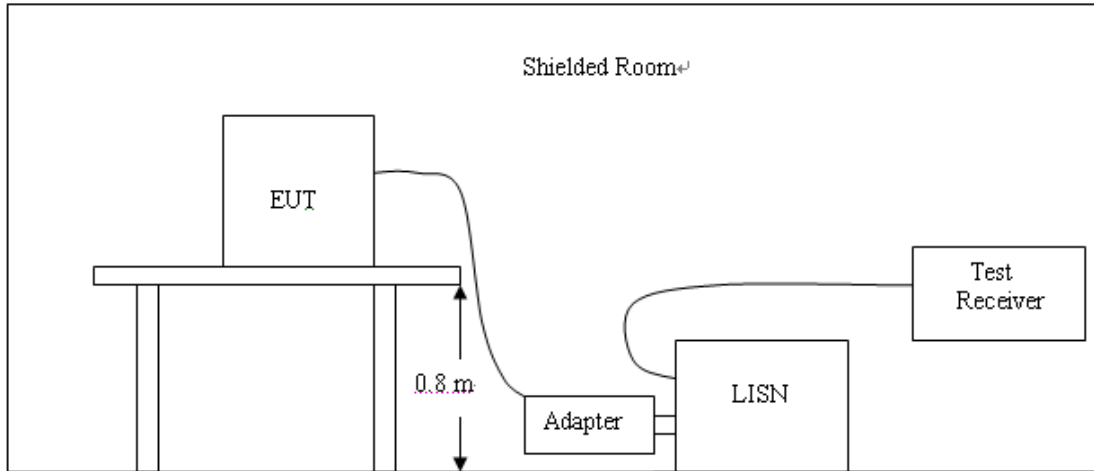
3.6. Equipments Used during the Test

No.	Equipment	Manufacturer	Model No.	S/N	Calibration date	Calibration due date
1	EMI Test Receiver	R&S	ESCI	100687	2013-4-5	2014-4-4
2	EMI Test Receiver	R&S	ESPI	100097	2013-7-25	2014-7-24
3	Amplifier	HP	8447D	1937A02492	2013-4-5	2014-4-4
4	Single Power Conductor Module	FCC	FCC-LISN-5-50-1-01-CISPR25	07101	2013-4-5	2014-4-4
5	Single Power Conductor Module	FCC	FCC-LISN-5-50-1-01-CISPR25	07102	2013-4-5	2014-4-4
6	Positioning Controller	C&C	CC-C-1F	MF7802113	N/A	N/A
7	Signal generator	Rhode & Schwarz	SMIQ 03HD + option SM-B1, SMIQB11, SMIQB12, SMIQB14, SMIQB17, SMIQB20	1125.5555.46	2013-4-5	2014-4-4
8	GSM system simulator	Rhode & Schwarz	CMU200 + option K20, K21, K22, K23, K24, K27, K28, K29, K42, K65, B12, B41, B52, B66, B56	1100.0008.34	2013-4-5	2014-4-4
9	GSM system simulator	Agilent	8960 Series 10 E1985A + GSM_AMPS	B.01.76 GB42450443	2013-4-5	2014-4-4
10	Spectrum Analyzer	Agilent	E4404B	US41192833	2013-4-5	2014-4-4
11	6dB Attenuator	Atten	Attenuator	DC-4GHz	2013-4-5	2014-4-4
12	Digital Multimeter	Fluke	15B	91280239	2013-4-5	2014-4-4
13	TRILOG Broadband Test-Antenna	SCHWARZBECK	VULB9163	9163-324	2013-4-9	2014-4-8
14	Horn Antenna	SCHWARZBECK	BBHA9120A	0499	2012-11-27	2013-11-26
15	Horn Antenna	SCHWARZBEC	BBHA9170	1562	2012-11-27	2013-11-26
16	Active Loop Antenna	DAZE	ZN30900A	1200	2013-4-5	2014-4-4
17	9kHz-2.4GHz signal generator 2024	MARCONI	10S/6625-99-457-8730	112260/042	2013-4-5	2014-4-4
18	10dB attenuator	ELECTRO-METRICS	EM-7600	836	2013-4-5	2014-4-4
19	Spectrum Analyzer	R&S	FSP	100397	2012-11-2	2013-11-1
20	Broadband preamplifier	SCHWARZBECK	BBV9718	9718-182	2013-4-5	2014-4-4
21	Temperature & Humidity Chamber	TOPSTAT	TOS-831A	3438A05208	2013-4-5	2014-4-4

4. TEST CONDITIONS AND RESULTS

4.1. Conducted Emissions Test

TEST CONFIGURATION



TEST PROCEDURE

- 1 The equipment was set up as per the test configuration to simulate typical actual usage per the user's manual. The EUT is a tabletop system, a wooden table with a height of 0.8 meters is used and is placed on the ground plane as per ANSI C63.4.
- 2 Support equipment, if needed, was placed as per ANSI C63.4.
- 3 All I/O cables were positioned to simulate typical actual usage as per ANSI C63.4.
- 4 If a EUT received DC power from the USB Port of Notebook PC, the PC's adapter received AC120V/60Hz power through a Line Impedance Stabilization Network (LISN) which supplied power source and was grounded to the ground plane.
- 5 All support equipments received AC power from a second LISN, if any.
- 6 The EUT test program was started. Emissions were measured on each current carrying line of the EUT using a spectrum Analyzer / Receiver connected to the LISN powering the EUT. The LISN has two monitoring points: Line 1 (Hot Side) and Line 2 (Neutral Side). Two scans were taken: one with Line 1 connected to Analyzer / Receiver and Line 2 connected to a 50 ohm load; the second scan had Line 1 connected to a 50 ohm load and Line 2 connected to the Analyzer / Receiver.
- 7 Analyzer / Receiver scanned from 150 KHz to 30MHz for emissions in each of the test modes.
- 8 During the above scans, the emissions were maximized by cable manipulation.

The RBW/VBW for 150KHz to 30MHz: 9KHz

CONDUCTED POWER LINE EMISSION LIMIT

For unintentional device, according to § 15.107(a) Line Conducted Emission Limits is as following :

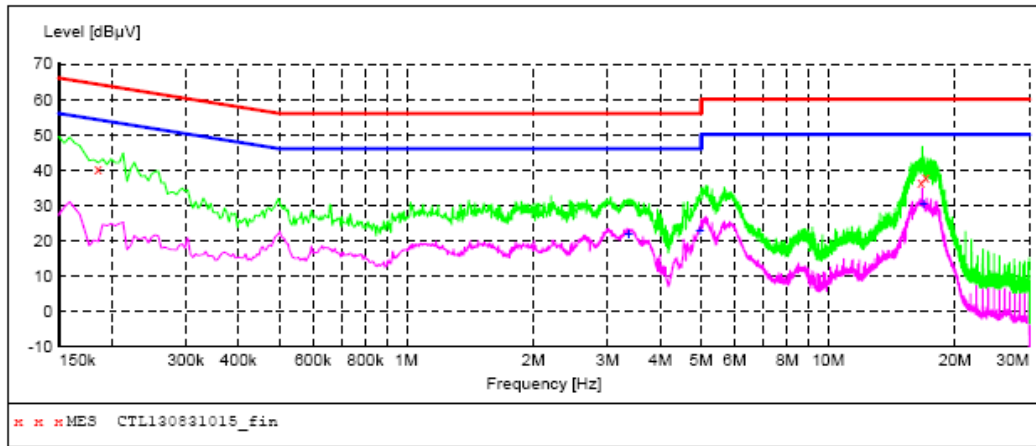
Frequency (MHz)	Maximum RF Line Voltage (dBµV)			
	CLASS A		CLASS B	
	Q.P.	Ave.	Q.P.	Ave.
0.15 - 0.50	79	66	66-56*	56-46*
0.50 - 5.00	73	60	56	46
5.00 - 30.0	73	60	60	50

* Decreasing linearly with the logarithm of the frequency

For intentional device, according to §15.207(a) Line Conducted Emission Limit is same as above table.

TEST RESULTS

SCAN TABLE: "Voltage (9K-30M)FIN"
Short Description: 150K-30M Voltage



MEASUREMENT RESULT: "CTL130831015_fin"

8/31/2013 10:05AM

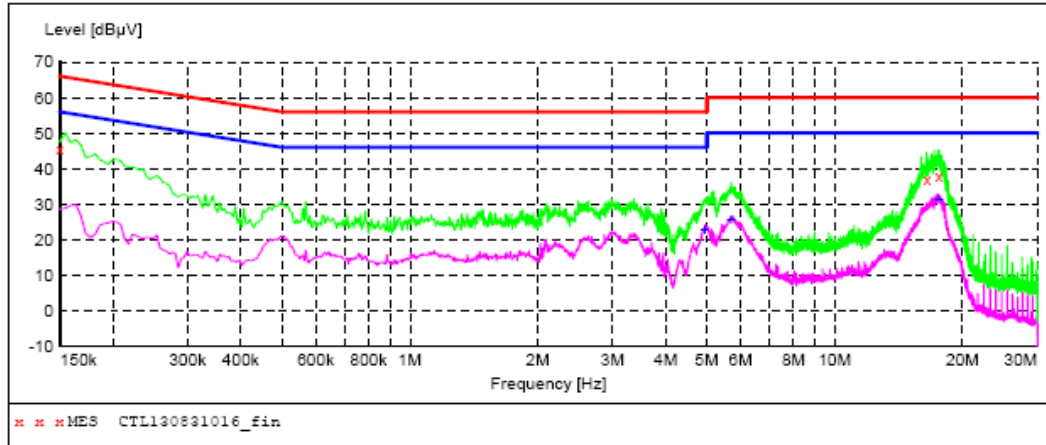
Frequency MHz	Level dBµV	Transd dB	Limit dBµV	Margin dB	Detector	Line	PE
0.186000	40.40	9.8	64	23.8	QP	L1	GND
16.620000	36.40	10.3	60	23.6	QP	L1	GND
17.034000	37.70	10.3	60	22.3	QP	L1	GND

MEASUREMENT RESULT: "CTL130831015_fin2"

8/31/2013 10:05AM

Frequency MHz	Level dBµV	Transd dB	Limit dBµV	Margin dB	Detector	Line	PE
3.363000	21.70	9.9	46	24.3	AV	L1	GND
4.965000	22.90	10.0	46	23.1	AV	L1	GND
16.827000	30.50	10.3	50	19.5	AV	L1	GND

SCAN TABLE: "Voltage (9K-30M)FIN"
 Short Description: 150K-30M Voltage



MEASUREMENT RESULT: "CTL130831016_fin"

8/31/2013 10:09AM

Frequency MHz	Level dBµV	Transd dB	Limit dBµV	Margin dB	Detector	Line	PE
0.150000	45.50	9.8	66	20.5	QP	N	GND
16.494000	36.90	10.3	60	23.1	QP	N	GND
17.569500	38.10	10.4	60	21.9	QP	N	GND

MEASUREMENT RESULT: "CTL130831016_fin2"

8/31/2013 10:09AM

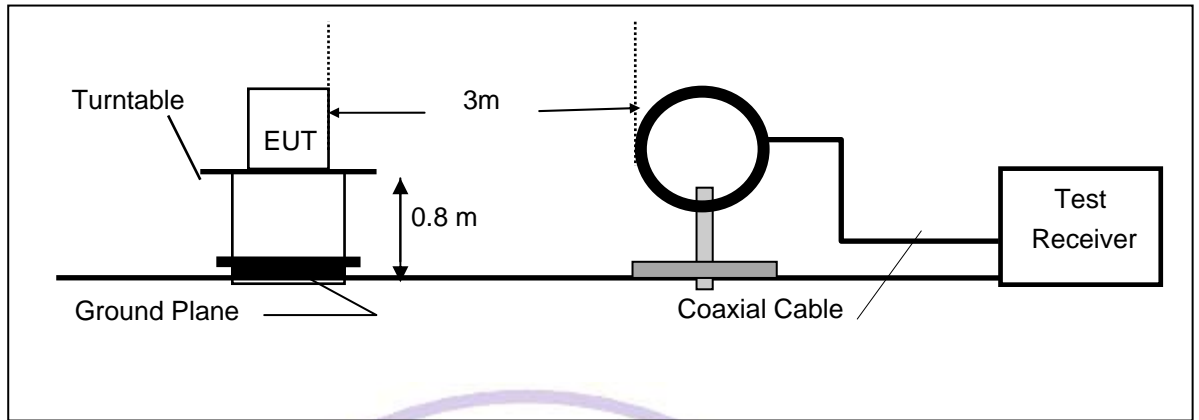
Frequency MHz	Level dBµV	Transd dB	Limit dBµV	Margin dB	Detector	Line	PE
4.947000	22.50	10.0	46	23.5	AV	N	GND
5.689500	25.60	10.0	50	24.4	AV	N	GND
17.556000	31.10	10.4	50	18.9	AV	N	GND



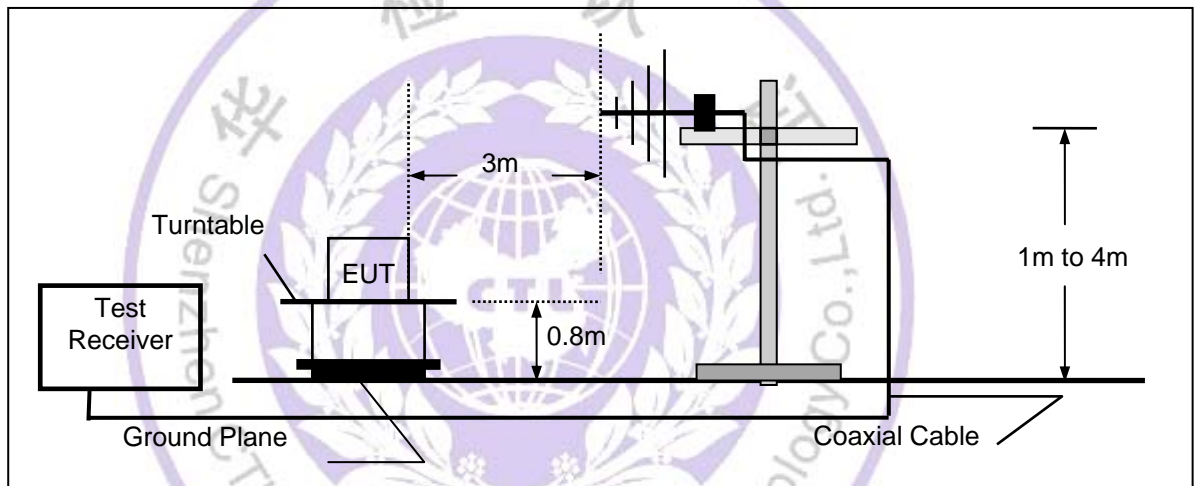
4.2. Radiated Emission Test

TEST CONFIGURATION

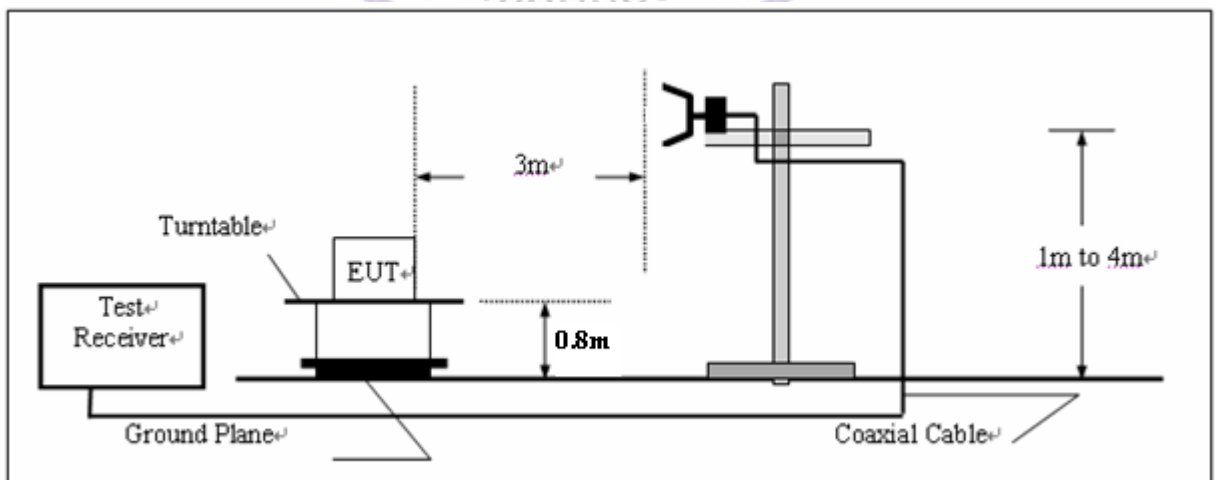
(A) Radiated Emission Test Set-Up, Frequency Below 30MHz



(B) Radiated Emission Test Set-Up, Frequency below 1000MHz



(C) Radiated Emission Test Set-Up, Frequency above 1000MHz



FIELD STRENGTH CALCULATION

The field strength is calculated by adding the Antenna Factor and Cable Factor and subtracting the Amplifier Gain and Duty Cycle Correction Factor(if any) from the measured reading. The basic equation with a sample calculation is as follows:

$$FS = RA + AF + CL - AG$$

Where FS = Field Strength	CL = Cable Attenuation Factor (Cable Loss)
RA = Reading Amplitude	AG = Amplifier Gain
AF = Antenna Factor	

RADIATION LIMIT

For unintentional device, according to § 15.109(a), except for Class A digital devices, the field strength of radiated emissions from unintentional radiators at a distance of 3 meters shall not exceed the following values:

Frequency (MHz)	Distance (Meters)	Radiated (dBµV/m)	Radiated (µV/m)
30-88	3	40.0	100
88-216	3	43.5	150
216-960	3	46.0	200
Above 960	3	54.0	500

For intentional device, according to § 15.209(a), the general requirement of field strength of radiated emissions from intentional radiators at a distance of 3 meters shall not exceed the above table.

TEST PROCEDURE

1. The EUT is placed on a turntable, which is 0.8m above ground plane.
2. The turntable shall be rotated for 360 degrees to determine the position of maximum emission level.
3. EUT is set 3m away from the receiving antenna, which is varied from 1m to 4m to find out the highest emissions.
4. Maximum procedure was performed on the six highest emissions to ensure EUT compliance.
5. And also, each emission was to be maximized by changing the polarization of receiving antenna both horizontal and vertical.
6. Repeat above procedures until the measurements for all frequencies are complete.
7. Based on the Frequency Generator in the device include 8MHz and 16MHz. The test frequency range from 9KHz to 25GHz per FCC PART 15.33(a).

Note:

Three axes are chosen for pretest, the Y axis is the worst mode for final test.

For battery operated equipment, the equipment tests shall be performed using a new battery.

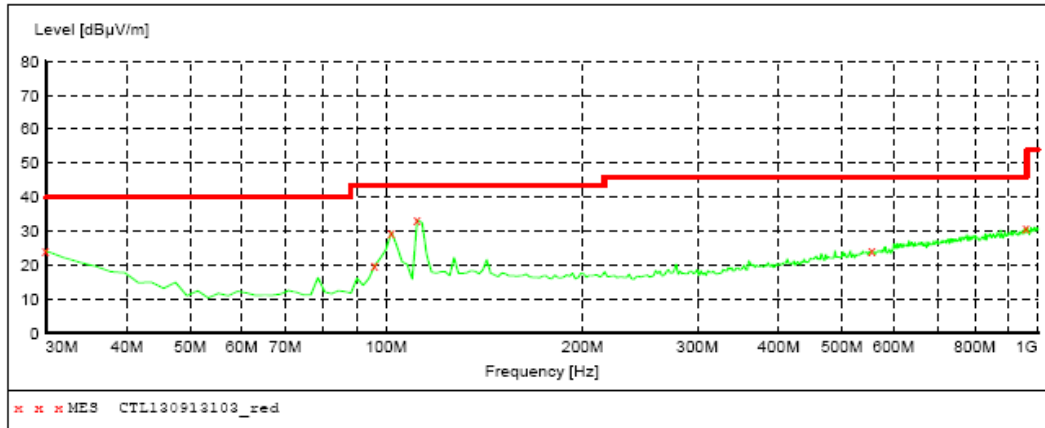
TEST RESULTS

All the test modes (TM1, TM2, TM3 and TM4) completed for test. The worst case of Radiated Emission is TM1; the test data of this mode was reported.

Below 1GHz Test Results:

SWEEP TABLE: "test (30M-1G)"

Short Description:		Field Strength				Transducer
Start	Stop	Detector	Meas. Time	IF Bandw.		
30.0 MHz	1.0 GHz	MaxPeak	300.0 ms	120 kHz		JB1



MEASUREMENT RESULT: "CTL130913103_red"

9/13/2013 9:44AM

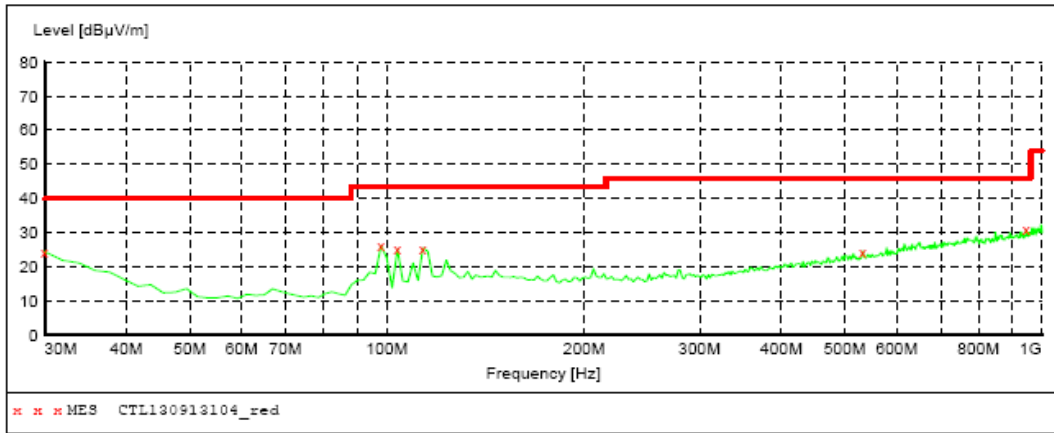
Frequency MHz	Level dBµV/m	Transd dB	Limit dBµV/m	Margin dB	Det.	Height cm	Azimuth deg	Polarization
30.000000	24.20	21.1	40.0	15.8	---	0.0	0.00	HORIZONTAL
95.960000	19.90	10.6	43.5	23.6	---	0.0	0.00	HORIZONTAL
101.780000	29.80	12.0	43.5	13.7	---	0.0	0.00	HORIZONTAL
111.480000	33.30	14.1	43.5	10.2	---	0.0	0.00	HORIZONTAL
555.740000	24.20	21.1	46.0	21.8	---	0.0	0.00	HORIZONTAL
959.260000	31.00	26.8	46.0	15.0	---	0.0	0.00	HORIZONTAL

Remark:

- (1) Measuring frequencies from 9 KHz to the 1 GHz, Radiated emission test from 9KHz to 30MHz was verified, and no any emission was found except system noise floor.
- (2) * denotes emission frequency which appearing within the Restricted Bands specified in provision of 15.205, then the general radiated emission limits in 15.209 apply.
- (3) The IF bandwidth of EMI Test Receiver between 30MHz to 1GHz was 120KHz, 1 MHz for measuring above 1 GHz, below 30MHz was 10KHz.

SWEEP TABLE: "test (30M-1G)"

Short Description:		Field Strength			
Start	Stop	Detector	Meas. Time	IF Bandw.	Transducer
30.0 MHz	1.0 GHz	MaxPeak	300.0 ms	120 kHz	JB1



MEASUREMENT RESULT: "CTL130913104_red"

9/13/2013 9:47AM

Frequency MHz	Level dBuV/m	Transd dB	Limit dBuV/m	Margin dB	Det.	Height cm	Azimuth deg	Polarization
30.000000	24.40	21.1	40.0	15.6	---	0.0	0.00	VERTICAL
97.900000	26.20	11.1	43.5	17.3	---	0.0	0.00	VERTICAL
103.720000	25.20	12.5	43.5	18.3	---	0.0	0.00	VERTICAL
113.420000	25.50	14.5	43.5	18.0	---	0.0	0.00	VERTICAL
532.460000	24.50	20.6	46.0	21.5	---	0.0	0.00	VERTICAL
945.680000	30.80	26.6	46.0	15.2	---	0.0	0.00	VERTICAL

Remark:

- (1) Measuring frequencies from 9 KHz to the 1 GHz, Radiated emission test from 9KHz to 30MHz was verified, and no any emission was found except system noise floor.
- (2) * denotes emission frequency which appearing within the Restricted Bands specified in provision of 15.205, then the general radiated emission limits in 15.209 apply.
- (3) The IF bandwidth of EMI Test Receiver between 30MHz to 1GHz was 120KHz, 1 MHz for measuring above 1 GHz, below 30MHz was 10KHz.

Above 1 GHz Test Results:

Freq. (MHz)	Ant.Pol. H/V	DetectorMode (PK/AV)	Reading (dBuV)	Ant./CL/ Amp. CF(dB)	Actual FS (dBuV/m)	Limit3m (dBuV/m)	Safe Margin (dB)
2479	V	Peak	74.95	-3.30	71.65	113.98	-42.33
2479	H	Peak	66.87	-3.30	63.57	113.98	-50.41
4958	V	Peak	48.62	3.90	52.52	74.00	-21.48
4958	H	Peak	41.20	3.90	45.10	74.00	-28.90
7437	V		---				
7437	H		---				
Others			---				

Freq. (MHz)	Ant.Pol. H/V	DetectorMode (PK/AV)	Reading (dBuV)	Ant./CL/ Amp. CF(dB)	Actual FS (dBuV/m)	Limit3m (dBuV/m)	Safe Margin (dB)
2441	V	Peak	74.03	-3.40	70.63	113.98	-43.35
2441	H	Peak	69.32	-3.40	65.92	113.98	-48.06
4882	V	Peak	47.16	3.70	50.86	74.00	-23.14
4882	H	Peak	42.73	3.70	46.43	74.00	-27.57
7323	V		---				
7323	H		---				
Others			---				

Freq. (MHz)	Ant.Pol. H/V	DetectorMode (PK/AV)	Reading (dBuV)	Ant./CL/ Amp. CF(dB)	Actual FS (dBuV/m)	Limit3m (dBuV/m)	Safe Margin (dB)
2403	V	Peak	74.19	-3.30	70.89	113.98	-43.09
2403	H	Peak	67.28	-3.30	63.98	113.98	-50.00
4806	V	Peak	49.61	3.50	53.11	74.00	-20.89
4806	H	Peak	43.30	3.50	46.80	74.00	-27.20
7209	V		---				
7209	H		---				
Others			---				

Remark:

- (1) Measuring frequencies from 1 GHz to the 25 GHz.
- (2) "F" denotes fundamental frequency; "H" denotes spurious frequency. "E" denotes band edge frequency.
- (3) * denotes emission frequency which appearing within the Restricted Bands specified in provision of 15.205, then the general radiated emission limits in 15.209 apply.
- (4) Data of measurement within this frequency range shown "---" in the table above means the reading of emissions are attenuated more than 20dB below the permissible limits or the field strength is too small to be measured.
- (5) The IF bandwidth of EMI Test Receiver between 30MHz to 1GHz was 120KHz, 1 MHz for measuring above 1 GHz, below 30MHz was 10KHz.
- (6) When the test results of Peak Detected below the limits of Average Detected, the Average Detected is not need completed. For example: Top Channel at Fundamental 71.65dBuV/m(PK Value) <93.98(AV Limit), at harmonic 53.11 dBuV/m(PK Value) <54 dBuV/m(AV Limit), the Average Detected not need to completed.

4.3. Band Edge Measurement

TEST CONFIGURATION

Same as Section 4.2

TEST PROCEDURE

The band edge compliance of RF radiated emission should be measured by following the guidance in ANSI C63.4 with respect to maximizing the emission by rotating the EUT, measuring the emission while the EUT is situated in three orthogonal planes (if appropriate), adjusting the measurement antenna height and polarization etc. Set RBW to 100kHz and VBW to 300kHz to measure the peak field strength and set RBW to 1MHz and VBW to 10Hz to measure the average radiated field strength.

The conducted RF band edge was measured by using a spectrum analyzer. Set span wide enough to capture the highest in-band emission and the emission at the band edge. Set RBW to 100 KHz and VBW to 300 KHz, to measure the conducted peak band edge.

LIMIT

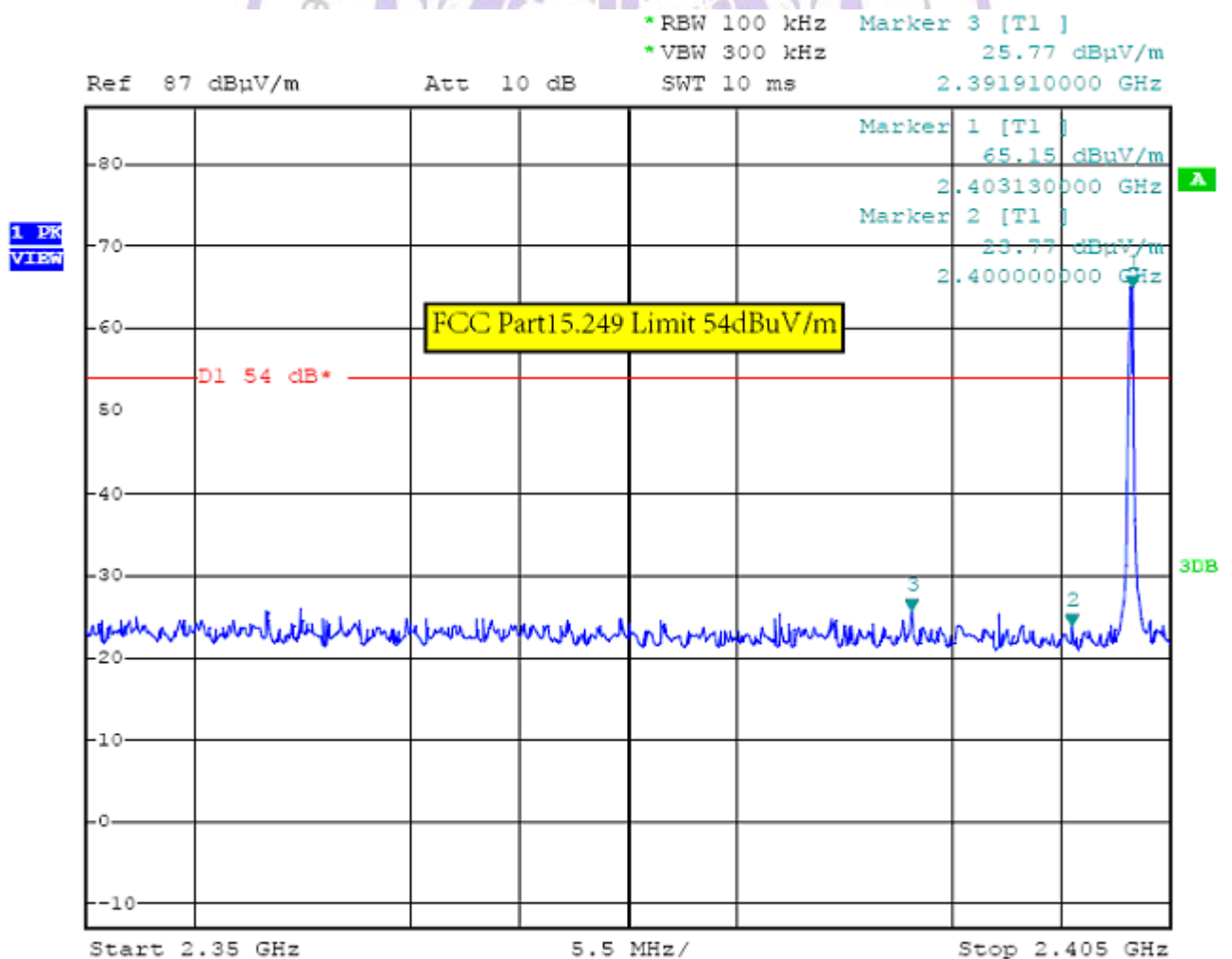
FCC PART 15.249(d) Emissions radiated outside of the specified frequency bands, except for harmonics, shall be attenuated by at least 50 dB below the level of the fundamental or to the general radiated emission limits in §15.209, whichever is the lesser attenuation.

TEST RESULTS

Radiated Test:

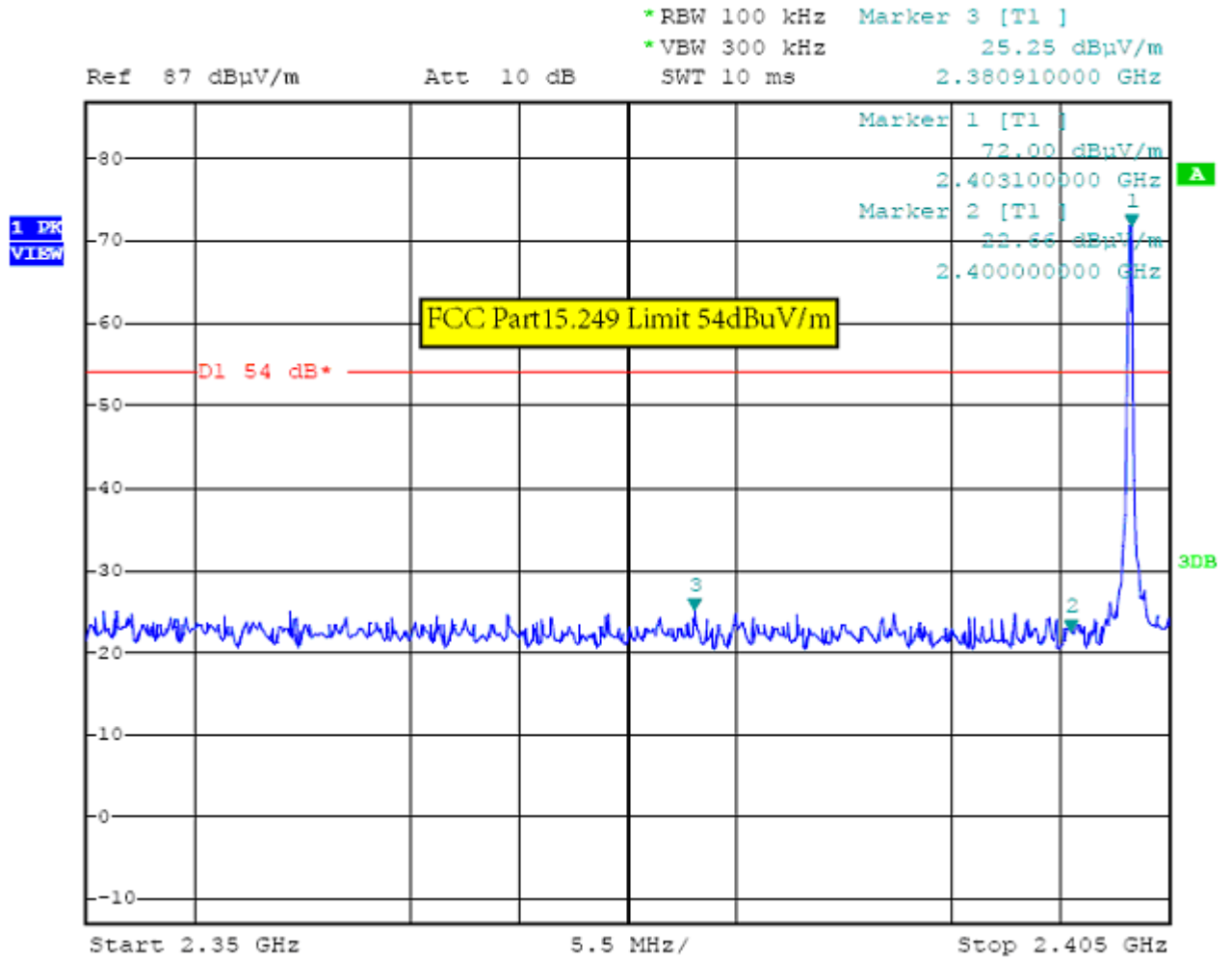
Operation Mode: TX on Bot Channel

Polarity: Hor.



Operation Mode: TX on Bot Channel

Polarity: Ver.

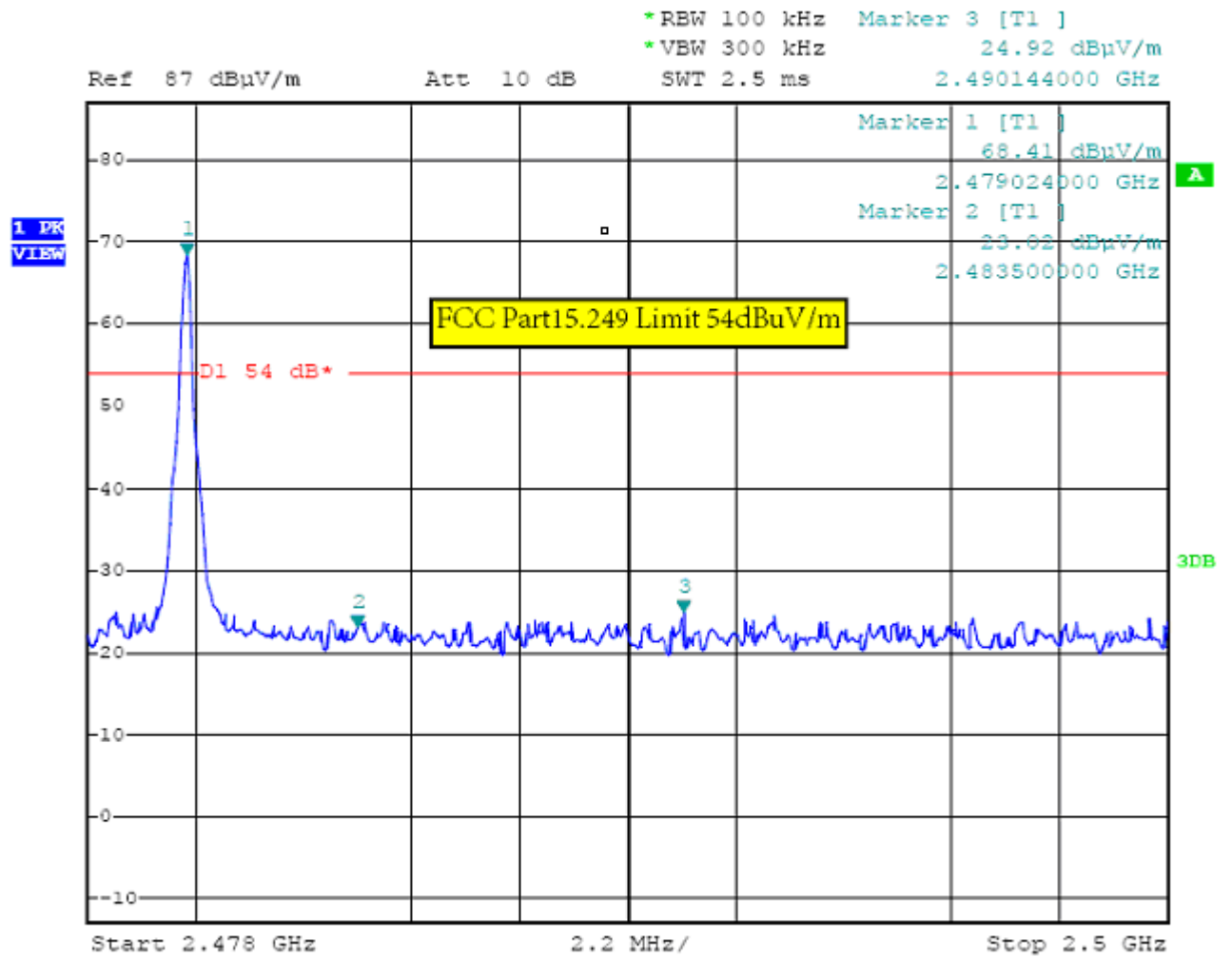


Note:

1. The field strength of any emissions which appear outside of this band shall not exceed the general radiated emission limits in Section 15.209.
2. The average measurement was not performed when the peak measured data under the limit of average detection.

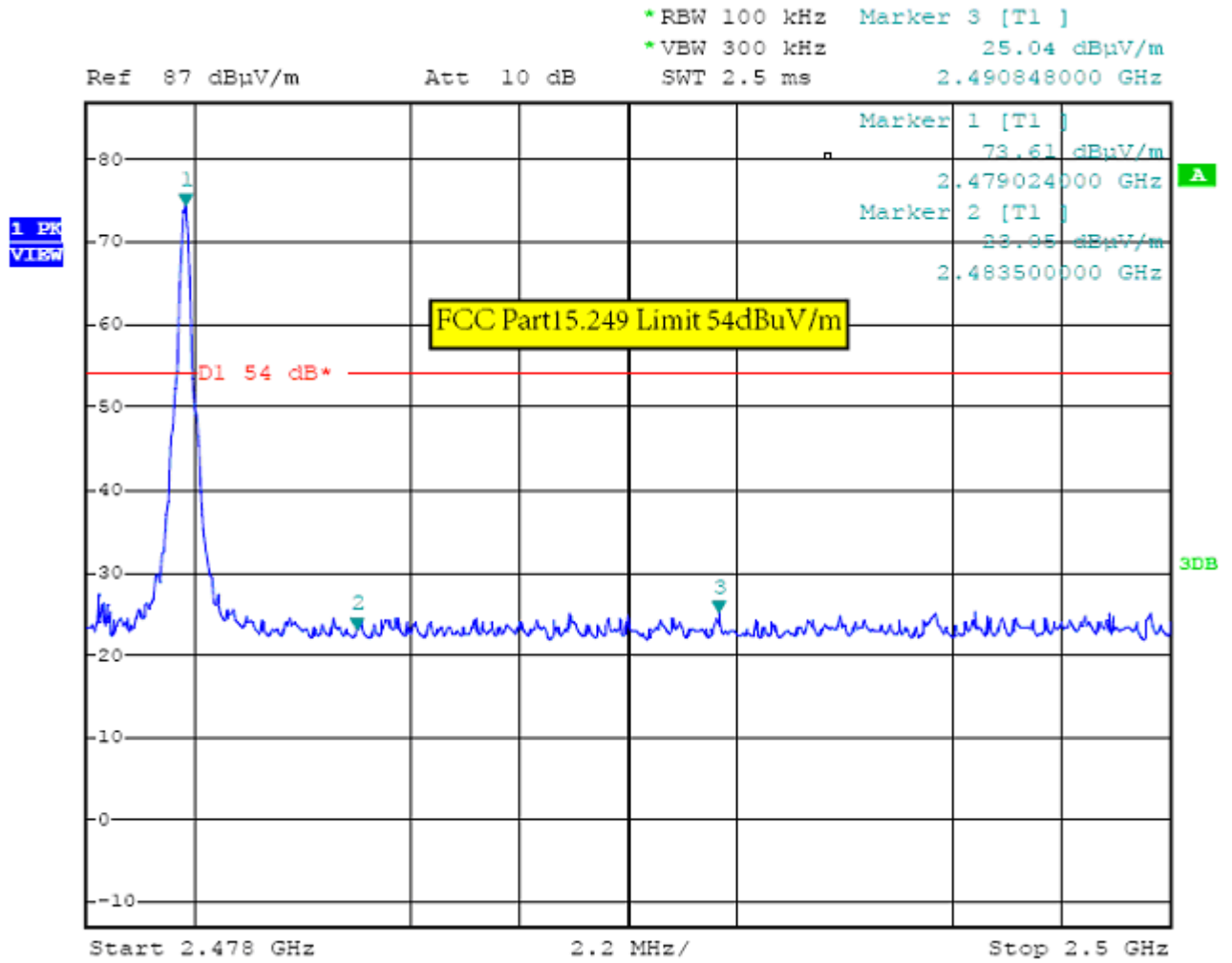
Operation Mode: TX on Top Channel

Polarity: Hor.



Operation Mode: TX on Top Channel

Polarity: Ver.



Note:

1. The field strength of any emissions which appear outside of this band shall not exceed the general radiated emission limits in Section 15.209.
2. The average measurement was not performed when the peak measured data under the limit of average detection.

5. Antenna Requirement

Standard Applicable

For intentional device, according to FCC 47 CFR Section 15.203, an intentional radiator shall be designed to ensure that no antenna other than that furnished by the responsible party shall be used with the device.

And according to FCC 47 CFR Section 15.247 (c), if transmitting antennas of directional gain greater than 6dBi are used, the power shall be reduced by the amount in dB that the directional gain of the antenna exceeds 6dBi.

Refer to statement below for compliance.

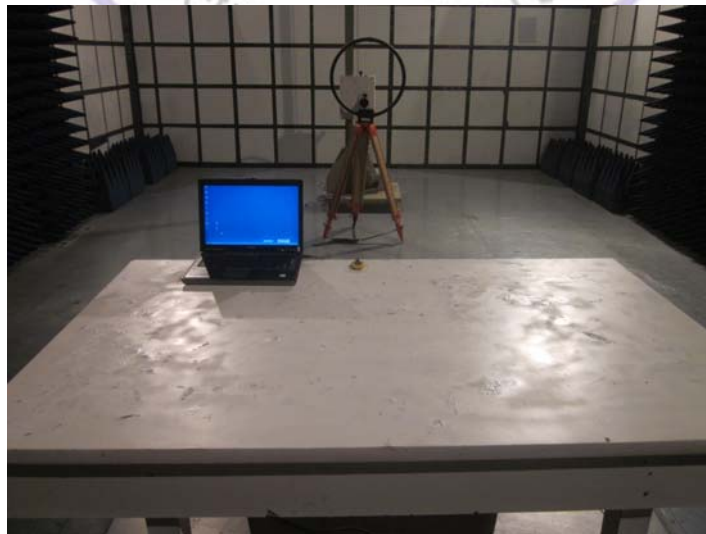
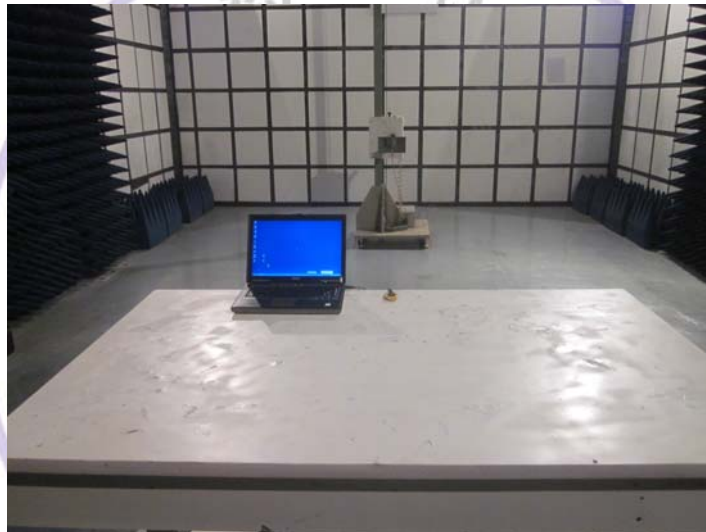
The manufacturer may design the unit so that the user can replace a broken antenna, but the use of a standard antenna jack or electrical connector is prohibited. Further, this requirement does not apply to intentional radiators that must be professionally installed.

Antenna Connected Construction

The antenna used in this product is a PCB Antenna, The directional gains of antenna used for transmitting is 0 dBi.



6. Test Setup Photos of the EUT





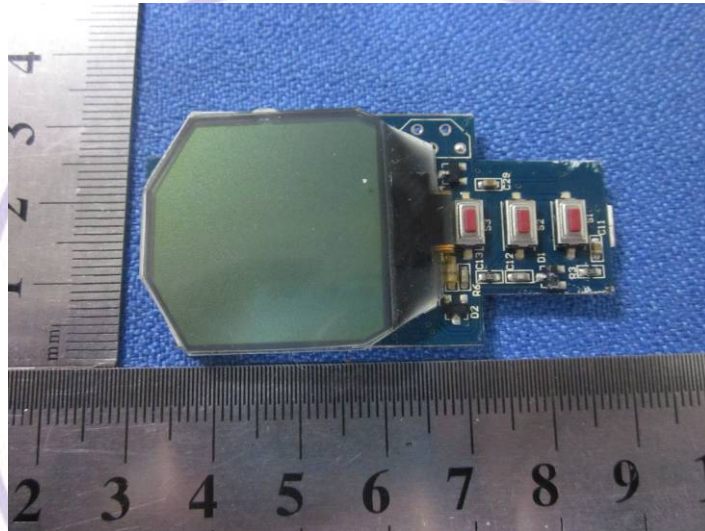
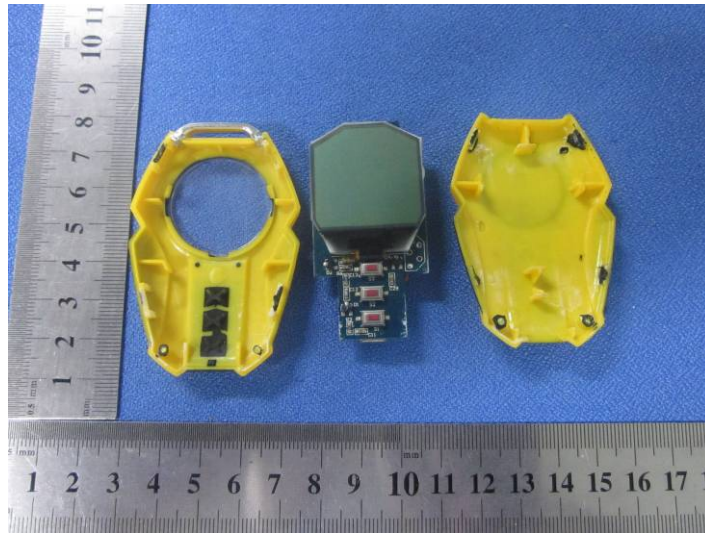
7. External and Internal Photos of the EUT

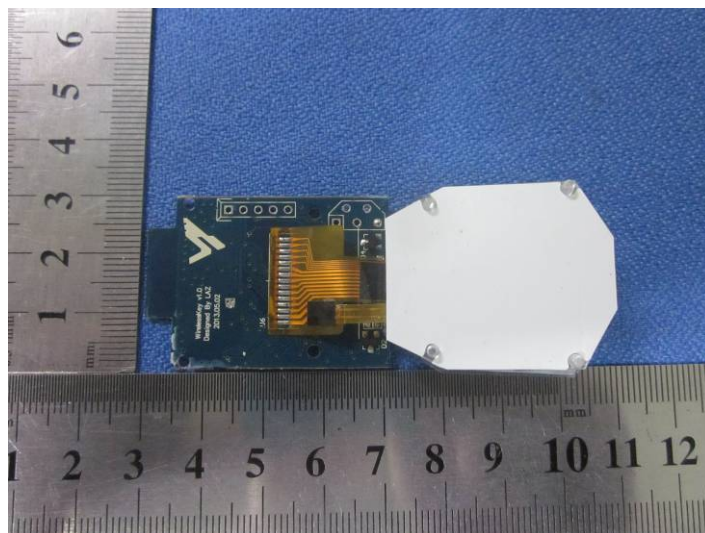
External Photos





Internal Photos





.....End of Report.....

