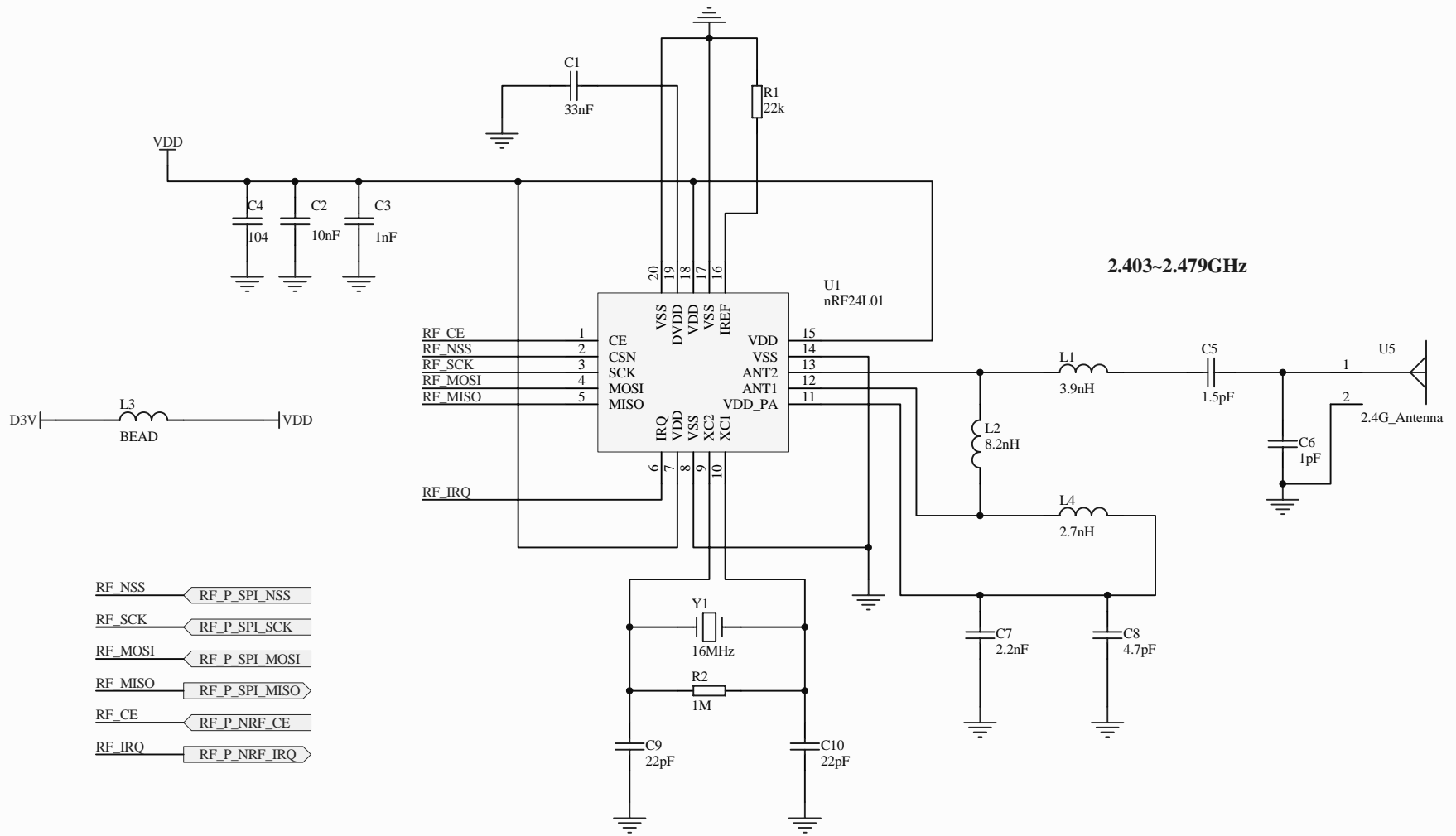


Title		
Size	Number	Revision
A3		
Date:	2013/8/15	Sheet of
File:	E:\版本控制\1_R1_WirelessKey_v0.5_Conf	Sheet of



- RF_NSS → RF_P_SPI_NSS
- RF_SCK → RF_P_SPI_SCK
- RF_MOSI → RF_P_SPI_MOSI
- RF_MISO → RF_P_SPI_MISO
- RF_CE → RF_P_NRF_CE
- RF_IRQ → RF_P_NRF_IRQ

Title		
Size	Number	Revision
A4		
Date:	2013/8/15	Sheet of
File:	E:\工作文档\..R1_WirelessKey_v1.1_2.4G_SchDoc	