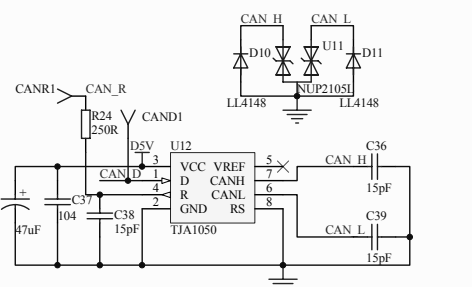
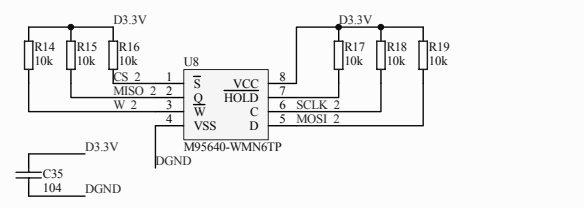
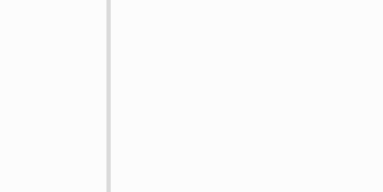
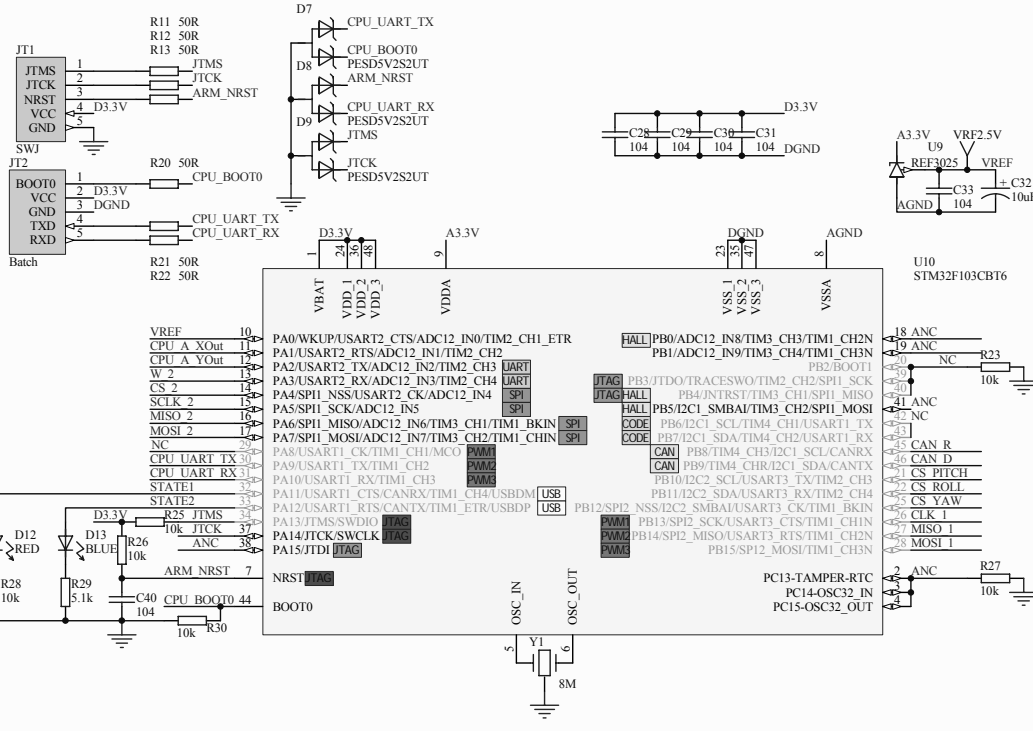
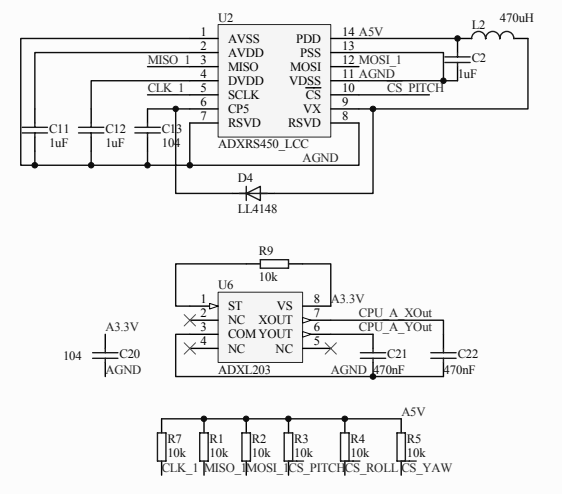
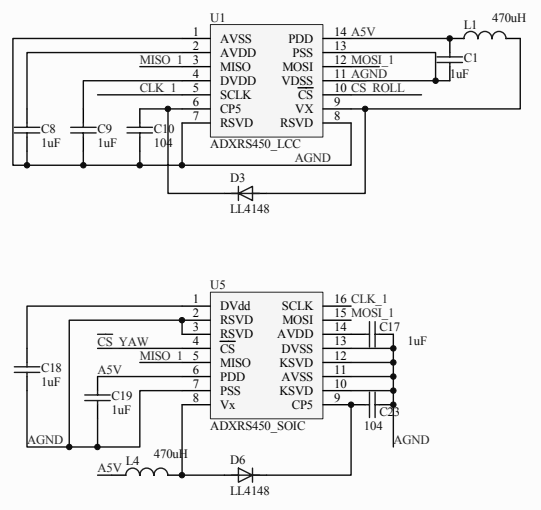
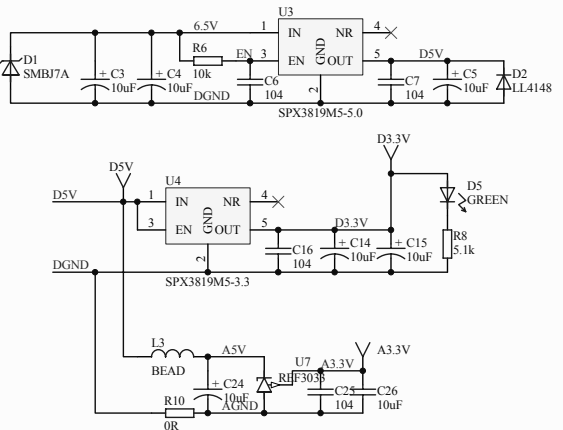
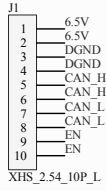
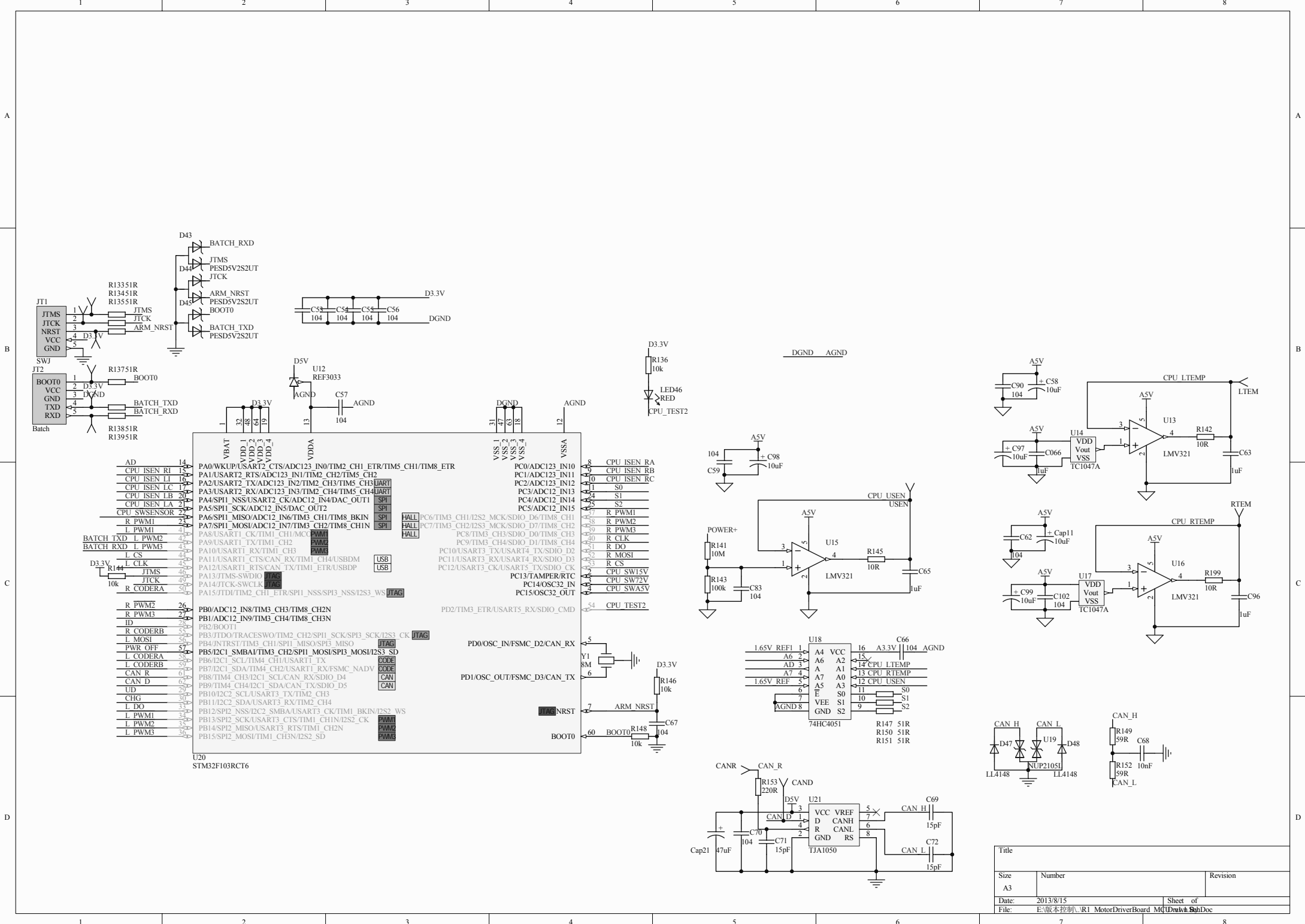


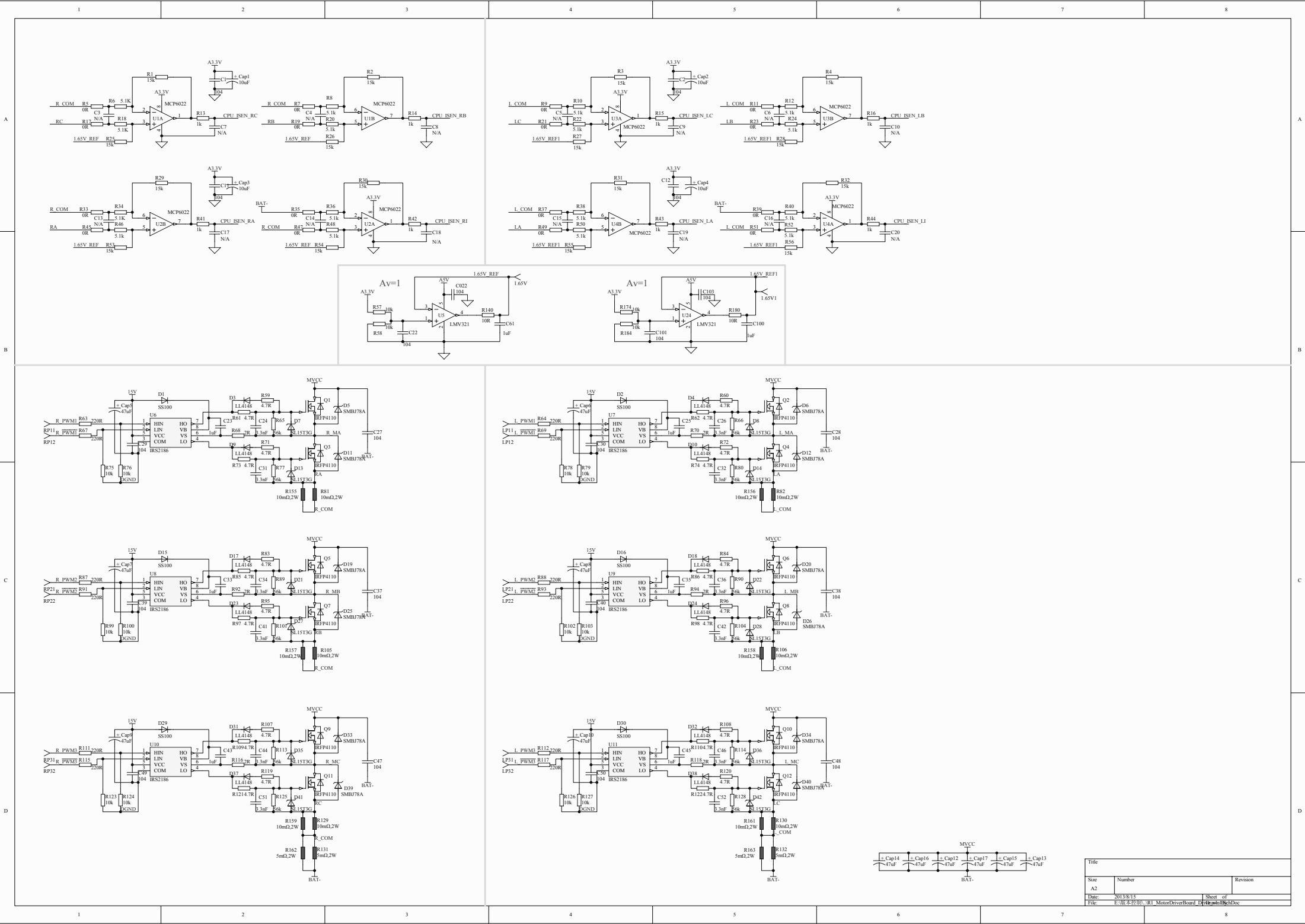
Title		
Size	Number	Revision
A3		
Date:	2013/8/15	Sheet of
File:	E:\版本控制\01_R1_ASS145_v1.1_SchDoc	Drawn By:



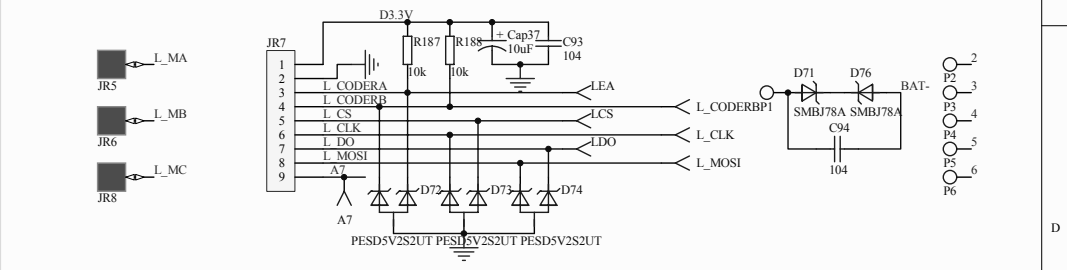
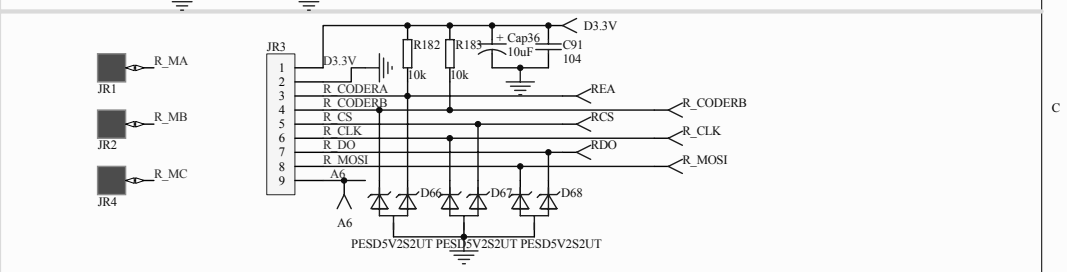
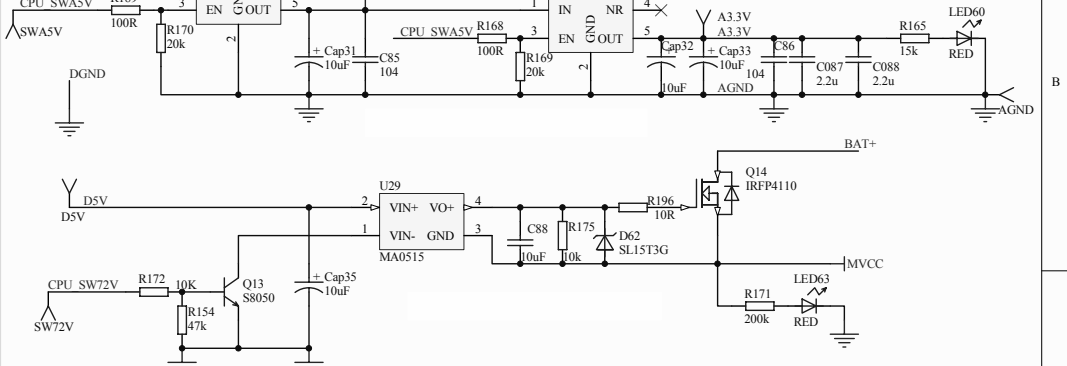
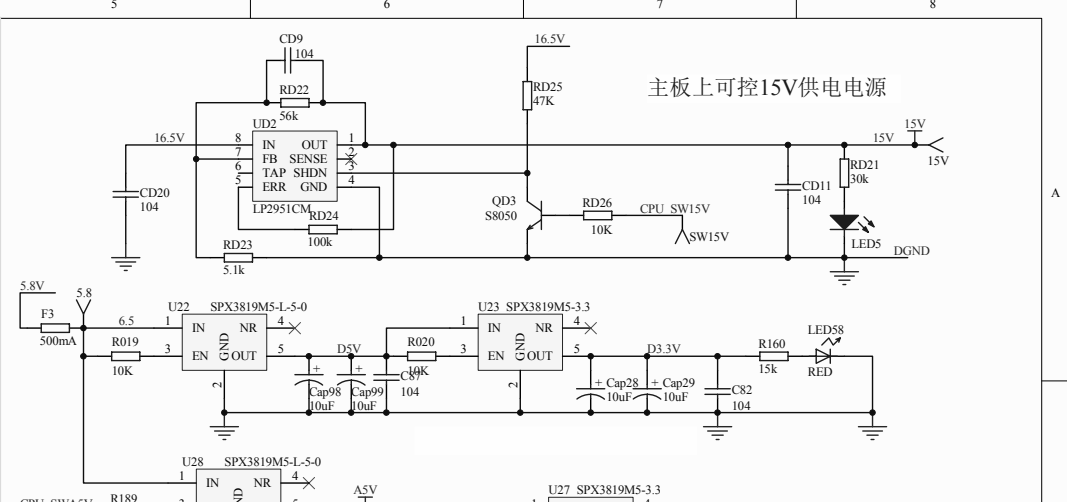
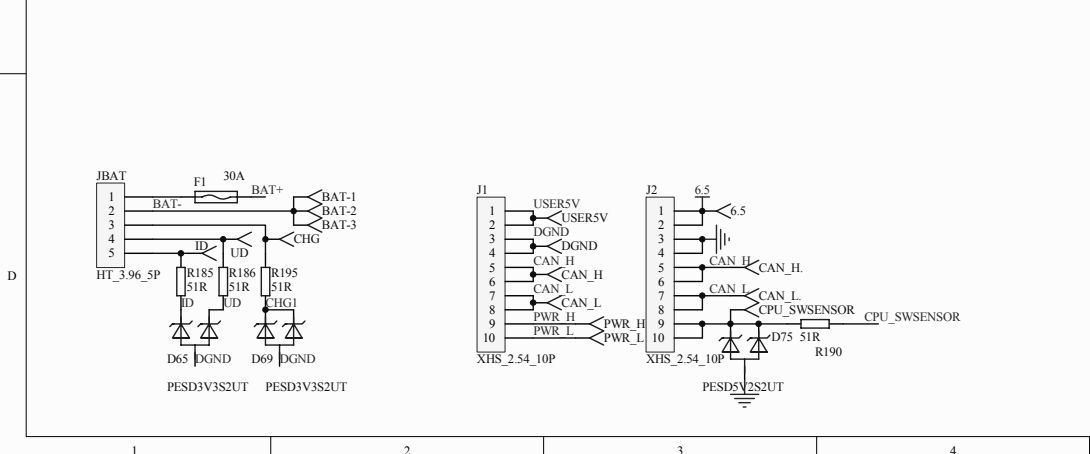
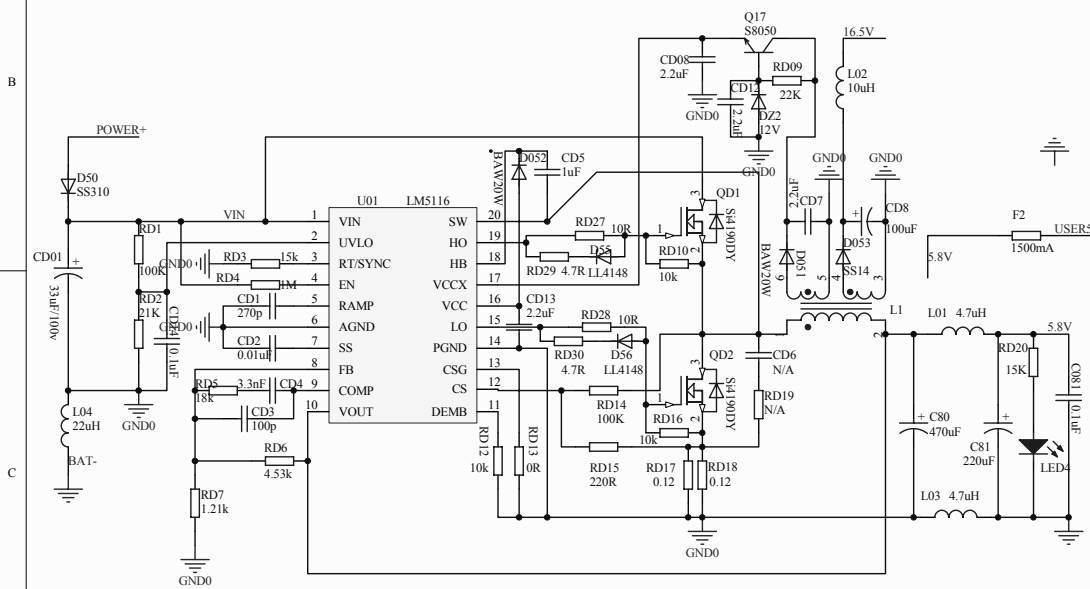
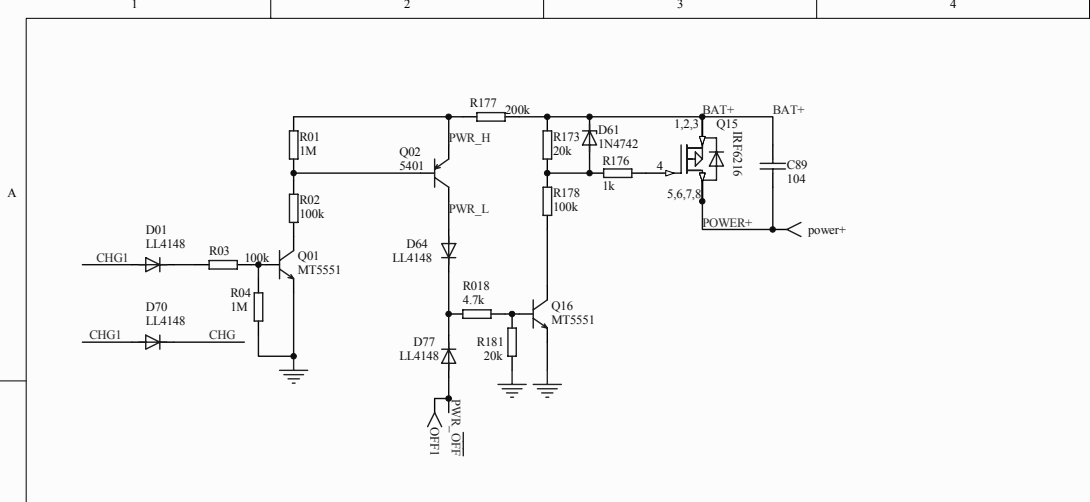
Title		
Size	Number	Revision
A3		
Date:	2013/8/15	Sheet of
File:	E:\版本控制\R1 SensorBoard v1.1.Sch	Drawn By:



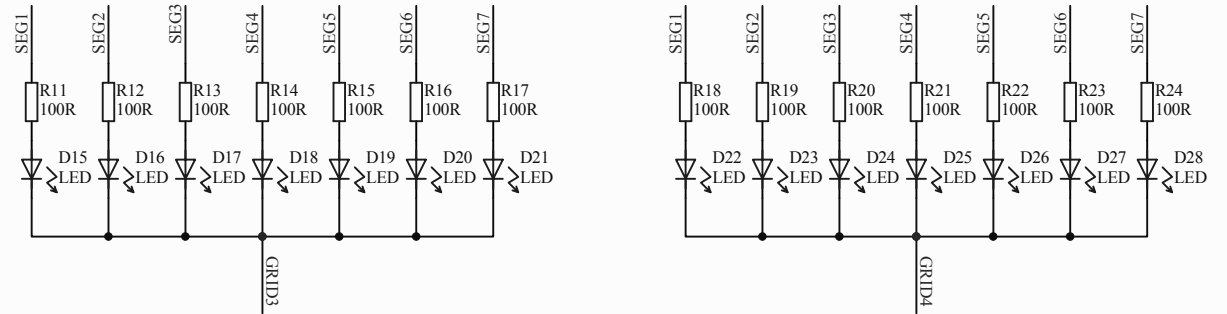
Title		
Size	Number	Revision
A3		
Date:	2013/8/15	Sheet of
File:	E:\版本控制\1. R1 MotorDriverBoard_MQ\Draw\Bsp.Doc	



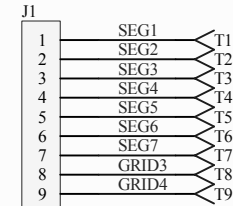
Title		
Size	Number	Revision
A2		
Date:	2013/8/15	Sheet of
File:	电机驱动板_U1R1_MotorDriverBoard_D16	6 of 6



Title		
Size	Number	Revision
A3		
Date:	2013/8/15	Sheet of
File:	E:\版本控制\R1 MotorDriverBoard Pol	Drawn By: BchDoc

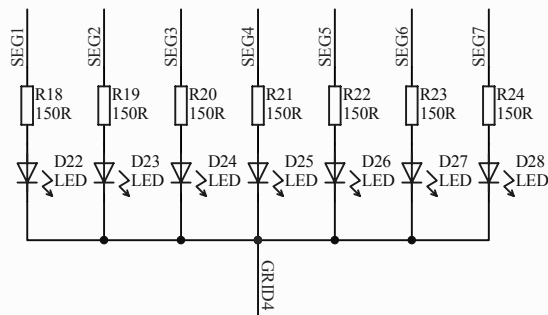
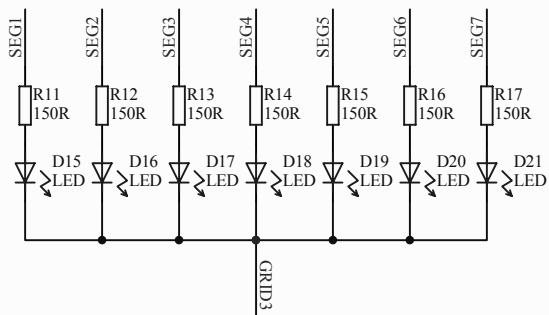


### LED

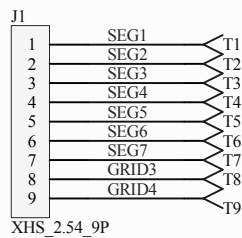


XHS\_2.54\_9P

Title		
Size	Number	Revision
A4		
Date:	2013/8/15	Sheet of
File:	E:\版本控制\..R1 LightBorad Front L v1.DrSh.Dwg	

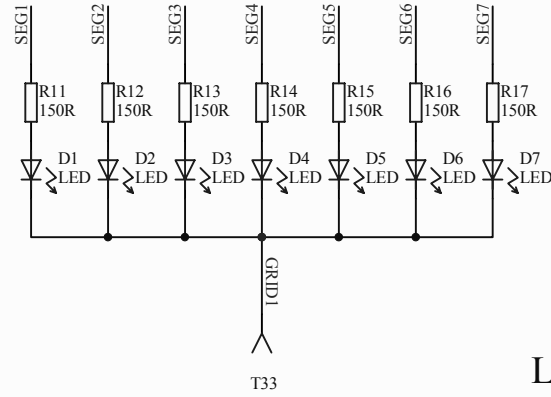
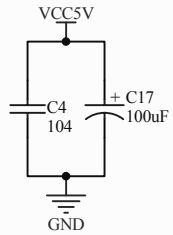
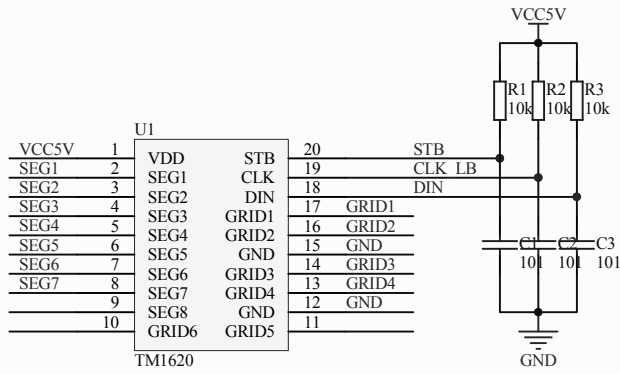


### LED

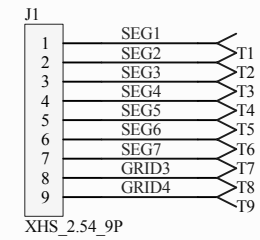
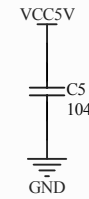
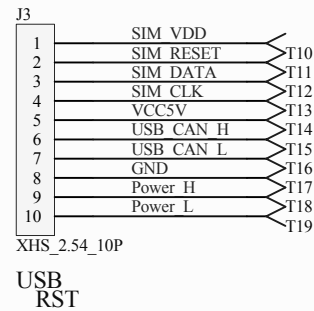
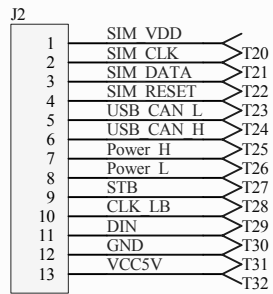
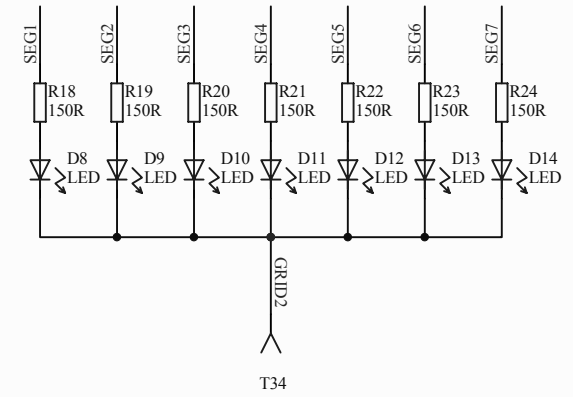


Title		
Size	Number	Revision
A4		
Date:	2013/8/15	Sheet of
File:	E:\版本控制\..R1 LightBorad Back R v1.DrSh.Dwg	

# LED 驱动芯片

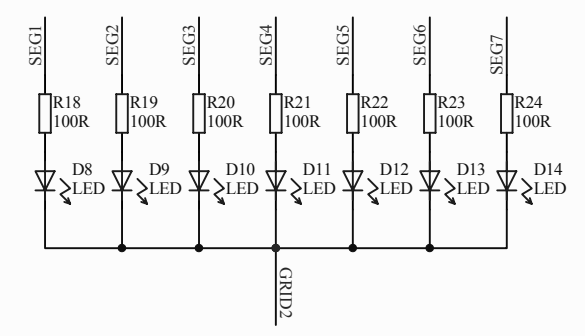
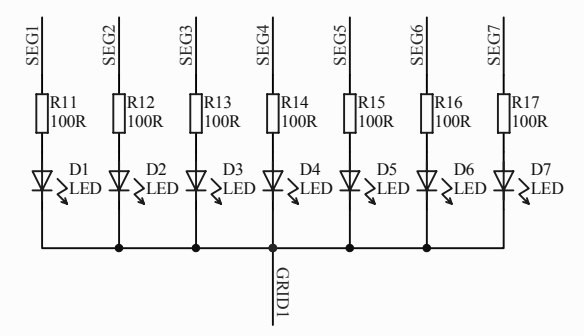
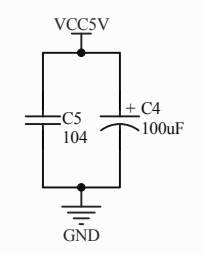
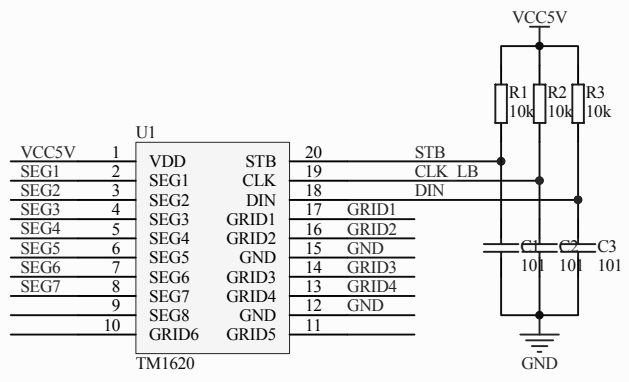


LED

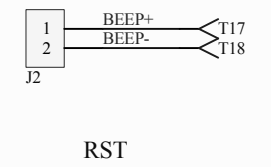
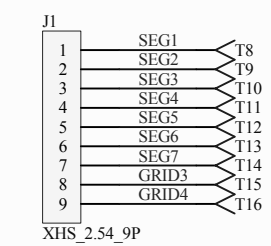
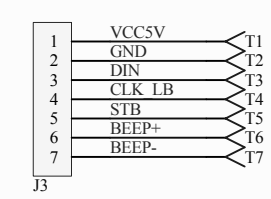


Title		
Size	Number	Revision
A4		
Date:	2013/8/15	Sheet of
File:	E:\版本控制\..R1 LightBorad Back L v1.0.SchDoc	



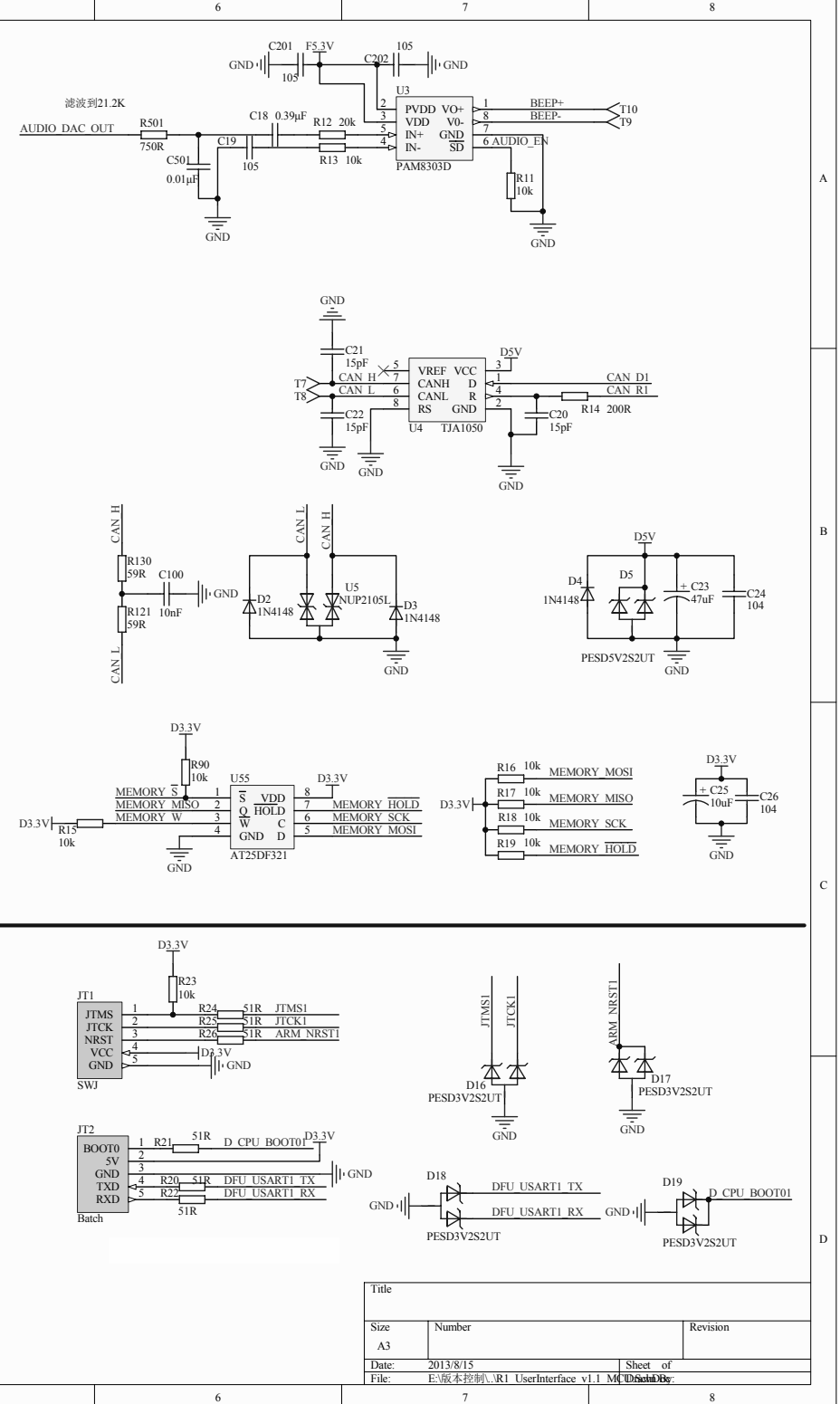
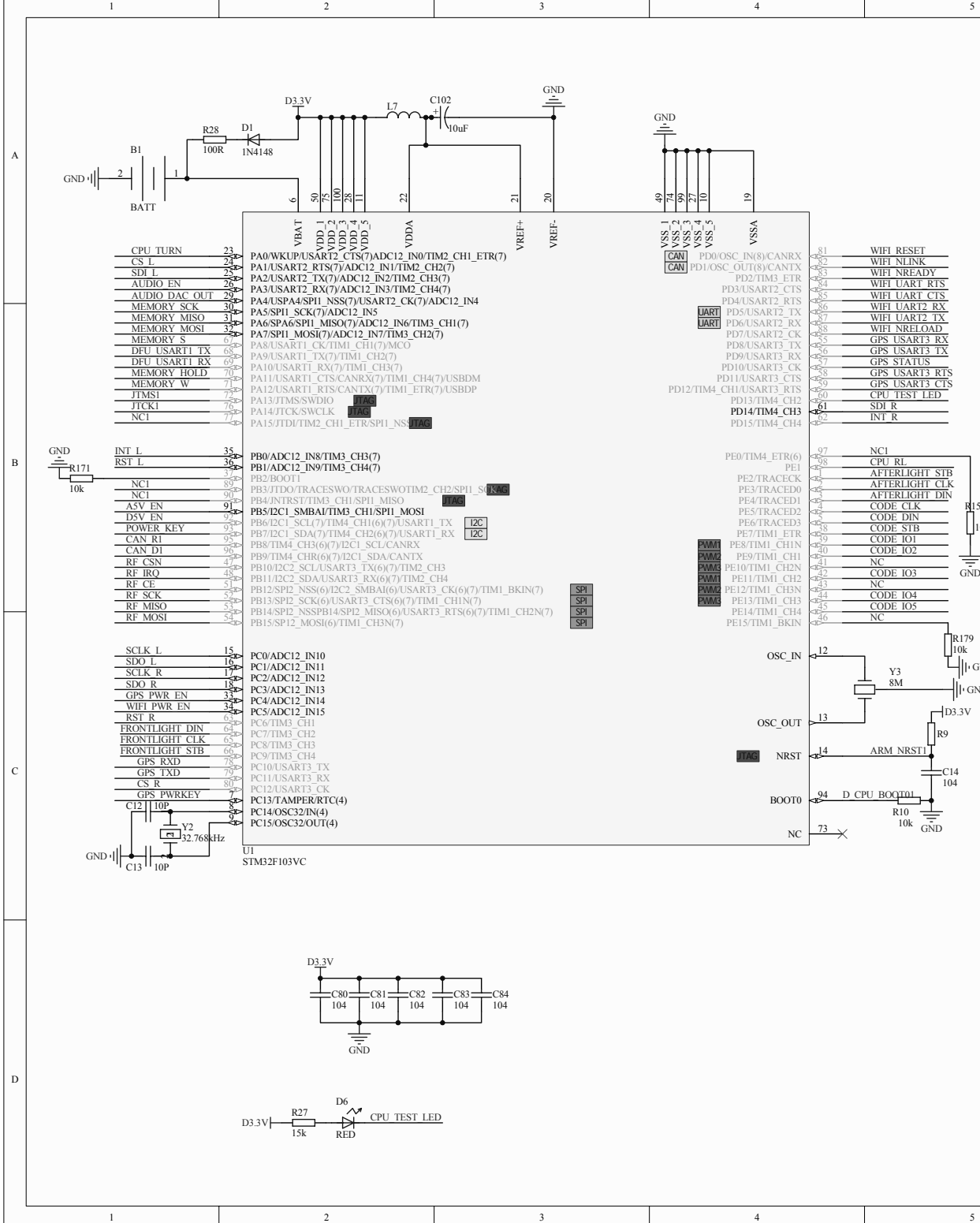


### LED

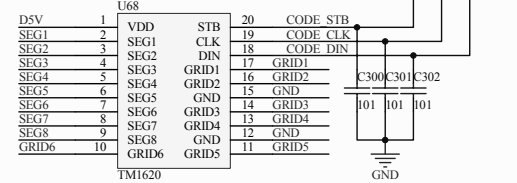
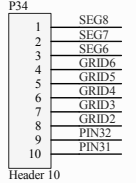
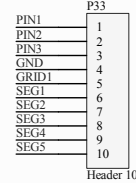
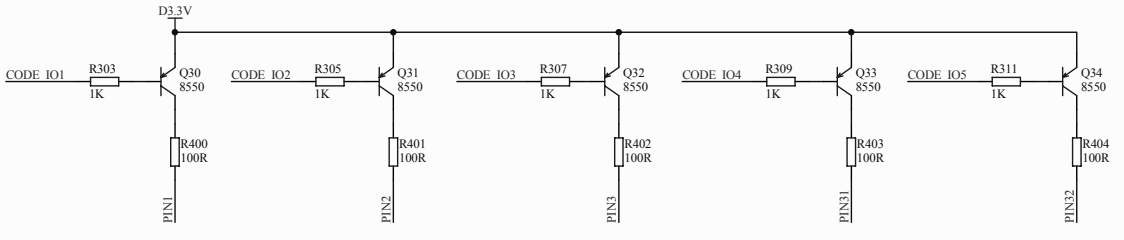
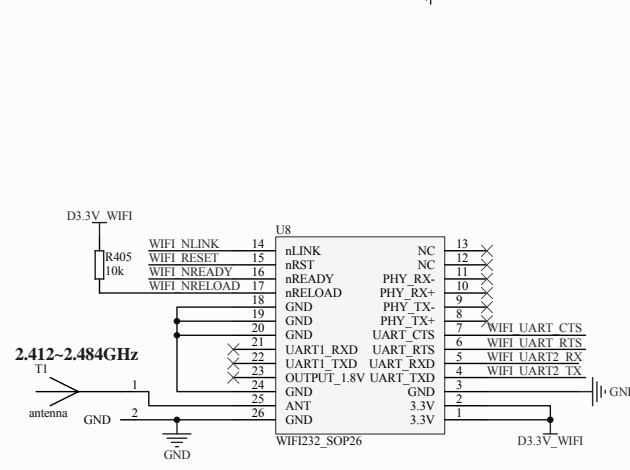
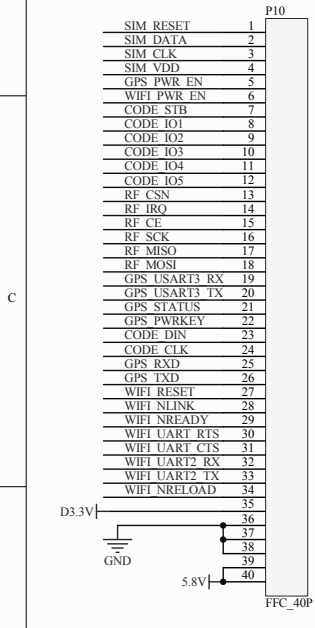
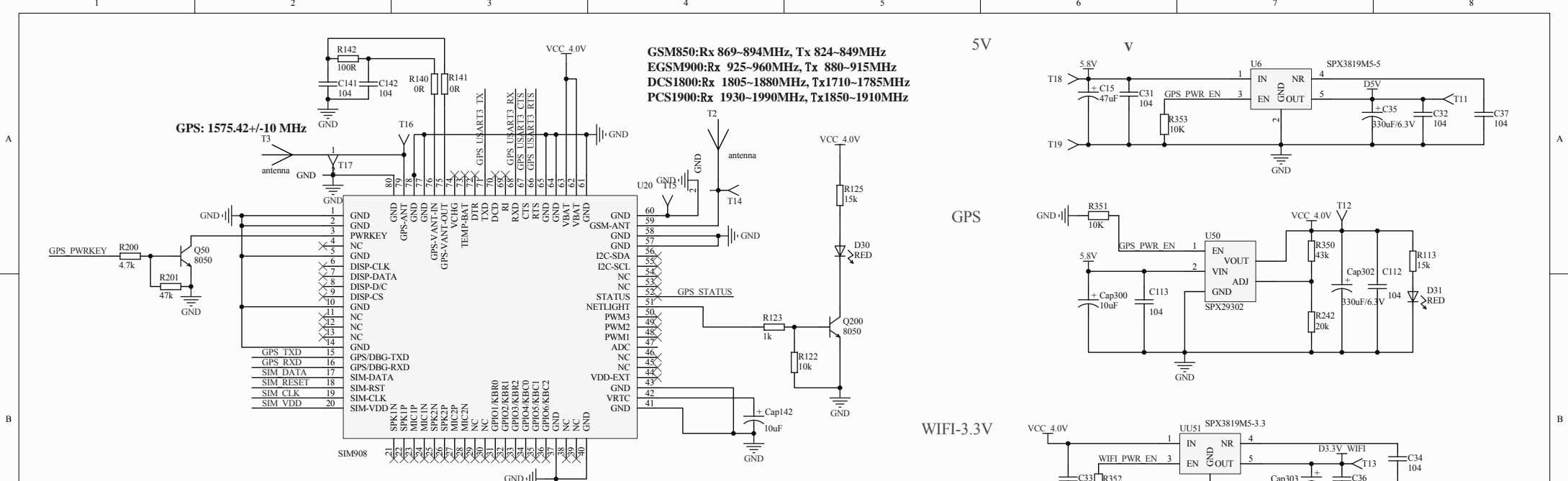


### RST

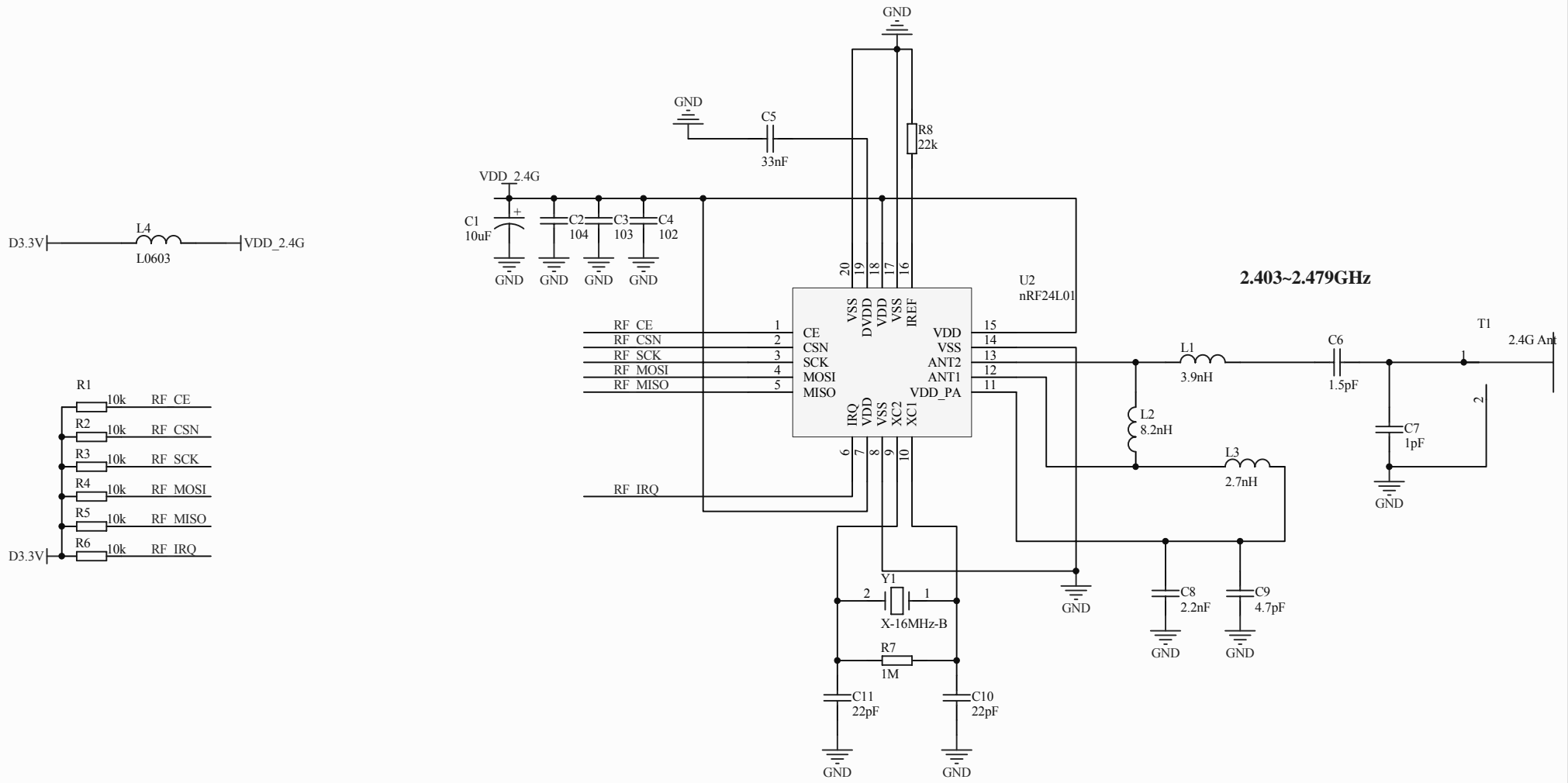
Title		
Size	Number	Revision
A4		
Date:	2013/8/15	Sheet of
File:	E:\版本控制\..R1 LightBorad Front R v1Dr.Sun.Dc	



Title		
Size	Number	Revision
A3		
Date:	2013/8/15	Sheet of
File:	E:版本控制\31 UserInterface v1.1 M	Sheet of



Title		
Size	Number	Revision
A3		
Date:	2013/8/15	Sheet of
File:	E:\工作文档\31 UserInterFace v1.1 GPS	



2.403~2.479GHz

Title		
Size	Number	Revision
A4		
Date:	2013/8/15	Sheet of
File:	EA\工作文档\A.R1 UserInterface v1.1 2.4G	Sheet by:

1

2

3

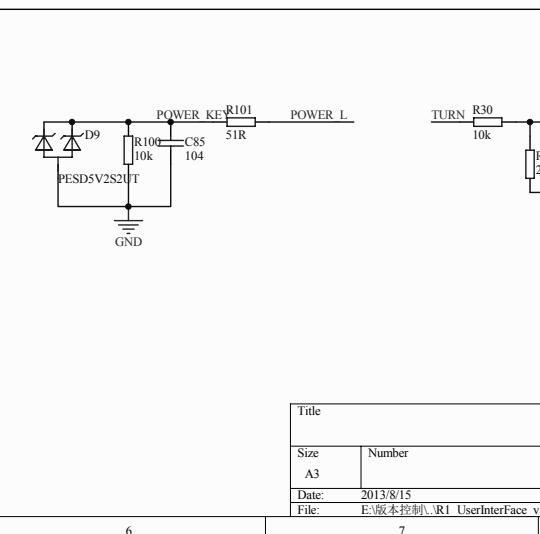
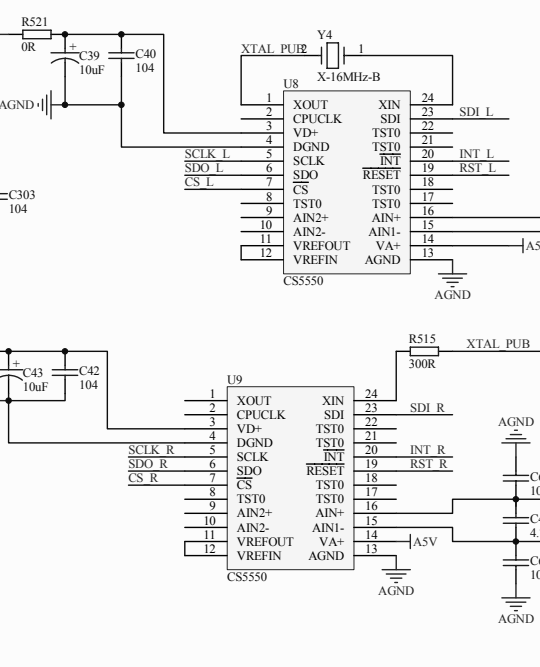
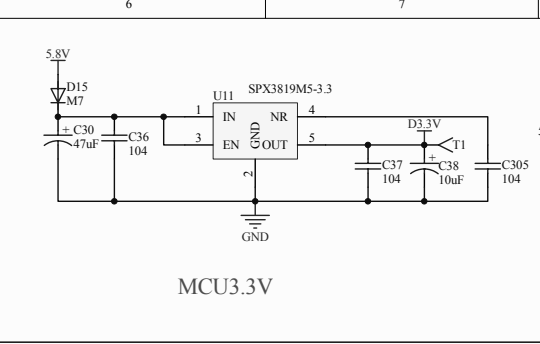
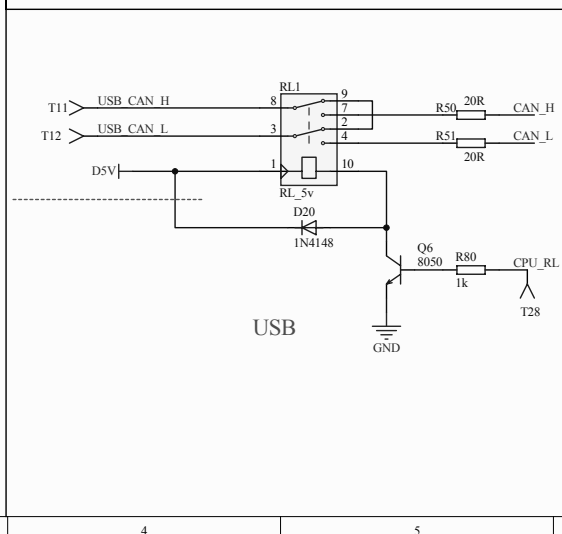
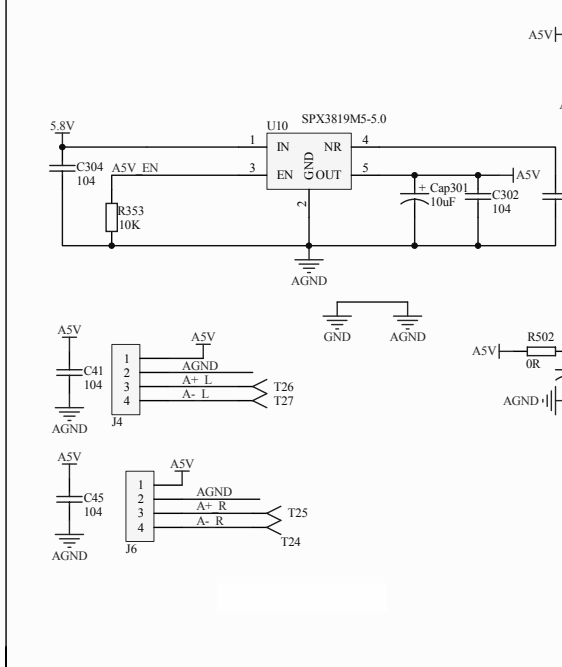
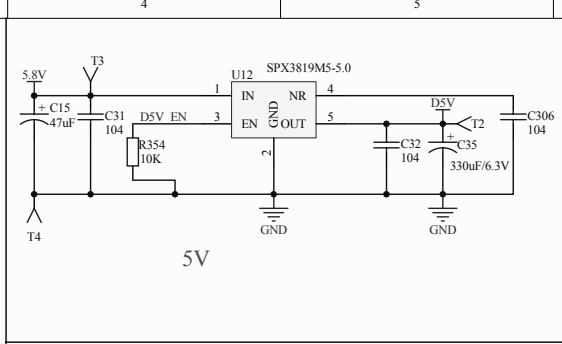
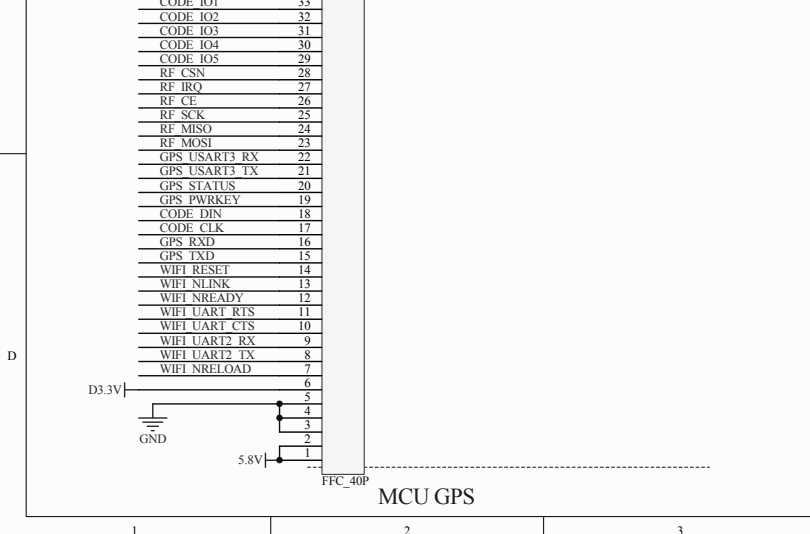
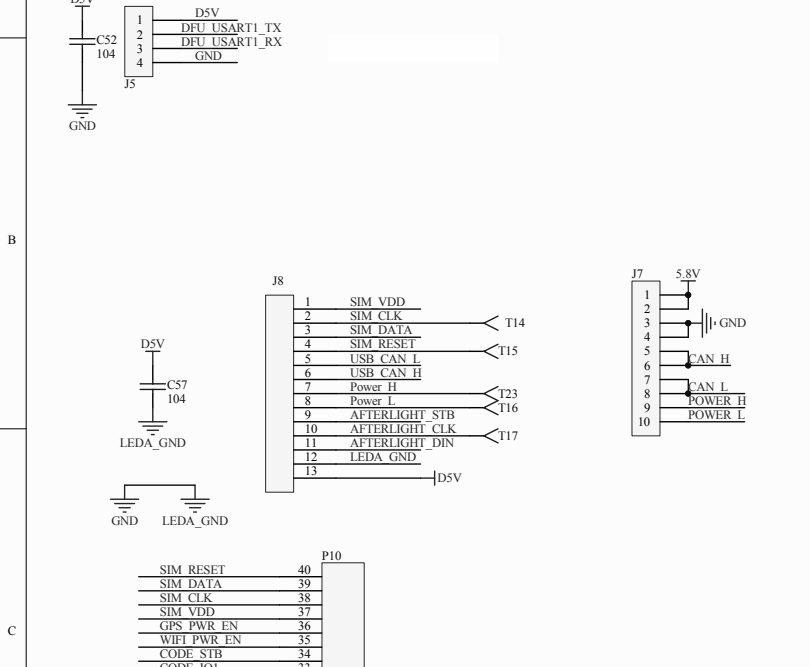
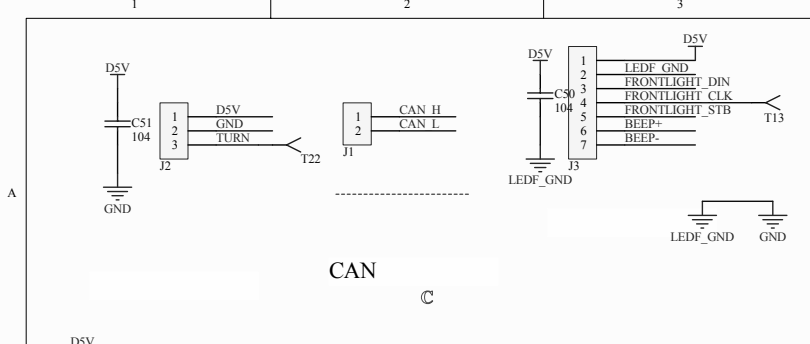
4

1

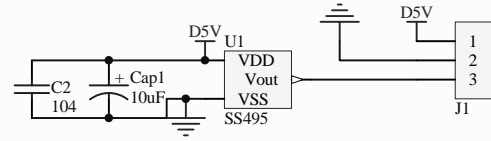
2

3

4



Title		
Size	Number	Revision
A3		
Date:	2013/8/15	Sheet of
File:	E:\版本控制\R1 UserInterface v1.1 Pcb	Dr Schilke



Title		
Size A4	Number	Revision
Date:	2013/8/15	Sheet of
File:	E:\版本控制\.\R1_Steering_v1.1.SchDoc	Drawn By: