

Wi-Fi 4.5mm 1 way articulation videoscope



=User Manual=

Wi-Fi 4.9mm Dual Cameras Video scope user manual

Product Outlook	?
1. Hardware	3
1.1 Main console	4
1.2 Accessories	5
2. Software(APP).....	6
2.1 Connection mobile to main system.....	6
2.2 Functions & user interface	7
Specifications.....	9
Safety & Cautions.....	10
Trouble shooting.....	12

SAFETY & CAUTIONS


SAFETY GUIDE

USER MUST PAY ATTENTION TO THE INFORMATION PROVIDED HERE TO ENSURE SAFETY.

We suggest you read the following statements carefully before using the system.

If the equipment is used in a manner not specified by the manufacturer, the protection provided by the equipment may be impaired.

Never replace the battery by yourself. Risk of explosion if battery is replaced by an incorrect type.

 **WARNING** If this product is used without observing the information given under this symbol, it might cause injuries or loss of life.

CAUTION If this product is used without observing the information given under this symbol, it might cause damage to this product.

 **WARNING** HAZARD ENVIRONMENT

- Do not use this system in explosive environments such as gasoline or alcohol storage tank.

 **WARNING** FLAMMABLE GASES

- Do not use this system near flammable gases.

 **WARNING** INDUSTRIAL USAGE ONLY

 **WARNING** INTENSIVE LIGHT MAY CAUSE EYE INJURY

- Avoid looking at the probe head while LED is on.

CAUTION CERTAIN SUBSTANCES MAY DAMAGE THE PROBE

- Please refer to Chemical resistance below. Contact the store you purchased for unsure chemical solutions for further information.

Chemical Resistance

- Water
- Brake fluid
- Gasoline
- Diesel fuel
- Transmission fluid

CE NOTICE

The Wi-Fi 4.5mm 1 way articulation videoscope system is in conformance with the following standards:

- 2014/53/EU Electromagnetic Compatibility Directive

RoHS NOTICE

The 4.5mm 1 way articulation videoscope system is in conformance with the requirements of the European law on the Restriction of Hazardous Substances (RoHS) directive. This means that our product is both lead-free and without the hazardous substances either in the manufacturing process or in the final product

FCC NOTICE

NOTE: This equipment has been tested and found to comply with the limits for a Class A digital device, pursuant to part 15 of the FCC Rules. These limits are designed to provide reasonable protection against harmful interference when the equipment is operated in a commercial environment. This equipment generates, uses, and can radiate radio frequency energy and, if not installed and used in accordance with the instruction manual, may cause harmful interference to radio communications. Operation of this equipment in a residential area is likely to cause harmful interference in which case the user will be required to correct the interference at his own expense.

Federal Communication Commission (FCC) Radiation Exposure Statement:

This EUT is compliance with SAR for general population/uncontrolled exposure limits in ANSI/IEEE C95.1-1999 and had been tested in accordance with the measurement methods and procedures specified in OET Bulletin 65 Supplement C.

(Sec. 15.247)

This device complies with FCC radiation exposure limits set forth for an uncontrolled environment. End users must follow the specific operating instructions for satisfying RF exposure compliance. This transmitter must not be co-located or operating in conjunction with any other antenna or transmitter

(Sec. 15.19)

This device complies with part 15 of the FCC Rules. Operation is subject to the following two conditions:

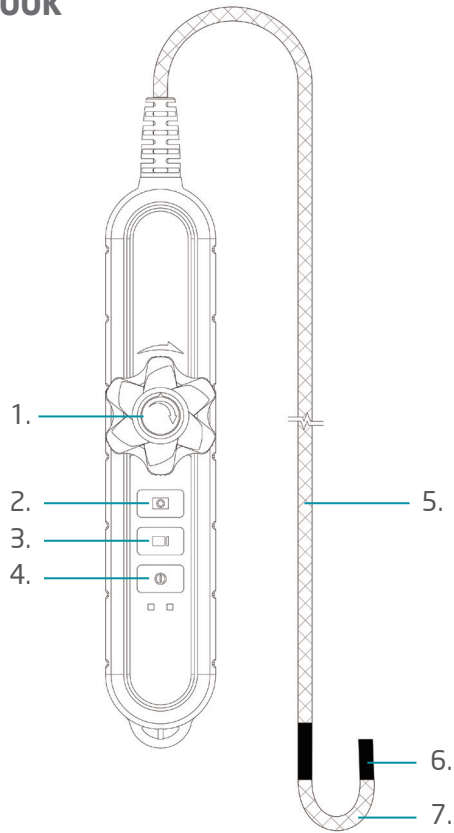
- (1) This device may not cause harmful interference, and
- (2) this device must accept any interference received, including interference that may cause undesired operation

(Sec. 15.21)

Changes or modifications not expressly approved by the party responsible for compliance could void the user's authority to operate the equipment.

PRODUCT OUTLOOK

1. Main console



No.	Features	Description
1	LED indicator	(1) Green: power on; Red: recharging ; Orange: recharging with power on (2) Red: low battery. <Note>
2	Power	Long press On / Off button
3	Record	Press console button (or mobile APP button)
4	Snap shot	Press console button (or mobile APP button)
5	Articulation	USB Type-C port
6	Battery	Li-ion Battery. Not replaceable
7	Recharging port	1 way, clockwise rotation

NOTE When the LOW BATTERY red light up, generally can last about 15 minutes usage.

2. Accessories

Item	Description

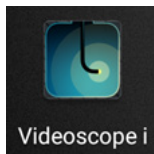
3. Software(APP)

Videoscope i is a specifically designed APP for the “Wi-Fi 4.5mm 1 way articulation videoscope” usages. It provides instinct user interface of convenient operations: LED light adjustment, snapshot, recording, and photo album linkage.

NOTE OS Support- iOS 10 above. Android 4 above.

3.1 Connection mobile to main system

Step 1. Install the “Videoscope i” APP from Android Google Play or Apple APP Store.

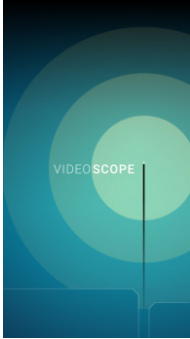


Step 2. Connect main system to mobile device:



NOTE The main console power-on and system boot process may take 10~20 seconds. Generally, the tip LED turns on when system boot complete and ready for use.

Step 3. Launch the “Videoscope i” APP



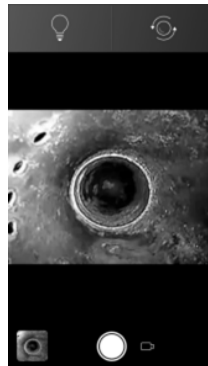
3.2 Functions & user interface

- Main screen_ Landscape (底圖待置換成汽缸內部)

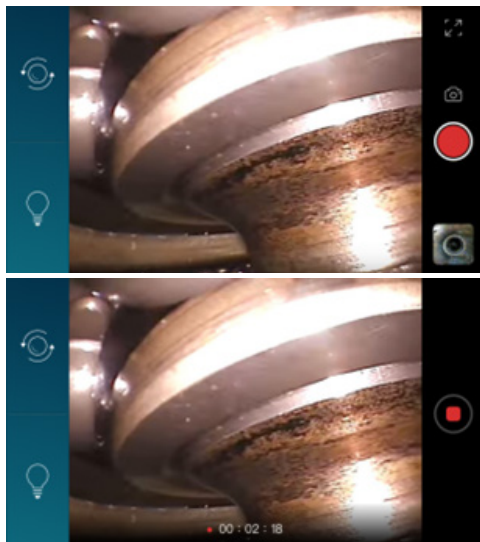


Function / Icon	Description
LED light control	Touch & drag LED brightness control bar
Snap shot/ Record	Tap the camera icon to switch snap shot/record mode
Album	Link to the original photo album of Android/iOS devices of the "Videoscope i" folder
Full screen	Hide the 2 side control function. Preview image scaling to full screen

- Main screen Portrait (待填入新的截圖)



- Main screen record mode



Technical Specifications

Model name: WiFi 4.5mm 1 way articulation videoscope

Model no : W2145

W2145 Console	
Dimensions	L:207.5mm W:35mm H:50mm (w/o insert probe)
Weight	248g
Still image format	1024*768 JPG (on mobile device storage)
Video resolution format	1024*768 MP4 (on mobile device storage)
Battery	2600 mAh Li-ion Battery, up to 6 hrs typical operation / 2hrs charging
Power source	DC in 5V 1A, Type C, USB compatible
Wi-Fi	IEEE 802.11 b/g/n, 2.4Ghz
Antenna	Built-in
Transmission distance	0~10m (Typical open space)
Button	Snapshot, Video Recording, power on/off
Power indicator	Power / Lower battery
Charging working temperature	0°C ~ 40°C
Water proof	IP67
Drop Resistance	1m
Certification	CE/FCC/TELEC/NCC
Probe	
Probe head diameter	4.5mm
Probe head diameter	13mm
Probe length	1m
Articulation angle	right 180°(*)
Probe head material	stainless steel
Probe material	outer braided stainless steel
Light source	Front
FOV	90°
DOF	10mm~100mm
Working temperature	-10°C ~ 60°C (**)
Storage temperature	-10°C ~ 60°C

* The maximum articulation angle may degrade over time

** High temperature during charging/operation may cause battery degradation of performance and life



Manual

OCT.2019