

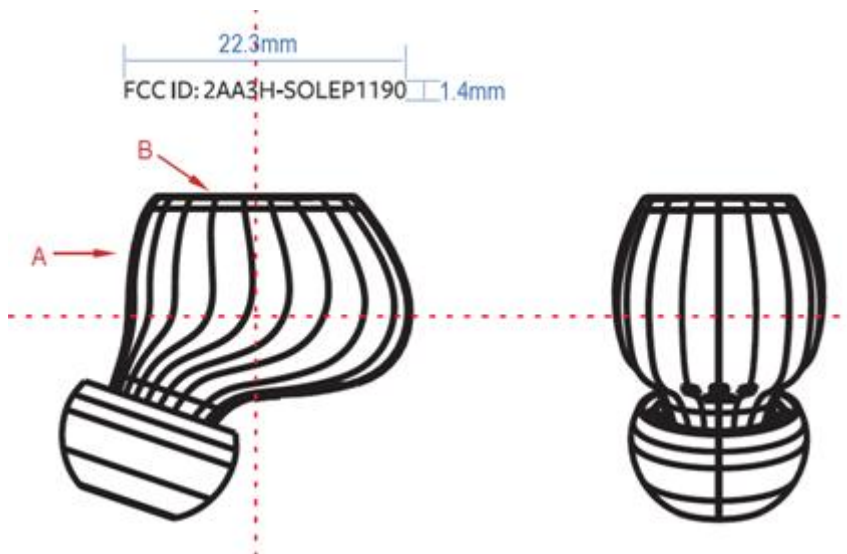
## FCC ID placement

3Nod hereby submits justification for placing the FCC ID in the Associated User Manual.

According to the FCC Regulation and Guidance (*KDB Publication 784748 D01, Section 2.2*) allows for the FCC identifier to be moved to the User's manual in the event that "the device is unquestionably too small for the FCC ID to be readable (smaller than 4-6 points)".

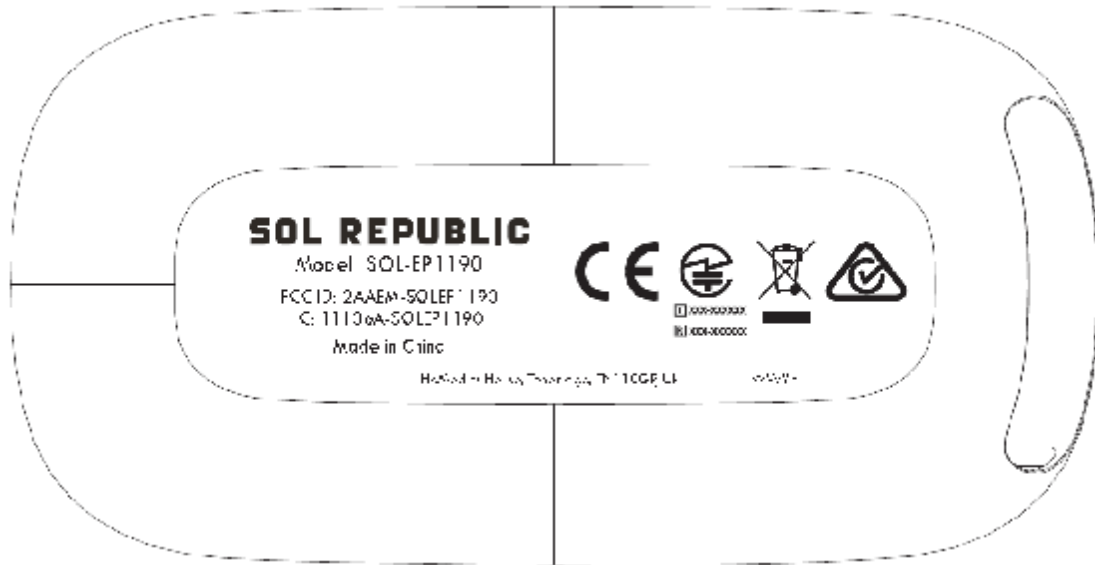
Referring to the above quote, the size of a readable FCC ID to be printed onto the Earbuds would be equal to 1.4x22.3mm.

- A. Side surface: The curvature ribbon shape of the silicone sleeve back cover (A) is not possible to print, due to it is visibly acceptable result as the top surface of each rib is 0.4mm to 1.2mm in width.
- B. Printing onto the top cover (B): The gold plated SOL REPUBLIC Logo of the top cover does not provide enough physical space to fit the printing of the FCC ID according to below reference picture.



Conclusion: Based on the above description of area A to B , we conclude that the device is unquestionably too small for enabling the FCC ID to be printed onto any surface. We therefore request to have the FCC ID moved to the User Guide.

Moreover , this product is composed of Earbuds and power bank, we want to print the FCC ID in the bottom of the power bank as below.



Best regards  
Peter Cheng

2016-09-19

[www.3nod.com](http://www.3nod.com)