

# Product Manual for **FREEDOM MICRO® II HS**

## **Contents**

<b>1.</b>	Components And Accessories	2
<b>2.</b>	Baseplate Options	3
<b>3.</b>	Speedplate™ Merchandising	5
<b>4.</b>	Speedbracket™ Merchandising	8
<b>5.</b>	SmartCable™ Merchandising	10
<b>6.</b>	RFID Commands	11
<b>7.</b>	RFID MTI Connect® Pairing	12
<b>8.</b>	LED Status Indicators	13
<b>9.</b>	Dimensions	15
<b>10.</b>	FCC and ISED Statement	18

**DO NOT REMOVE FROM STORE**

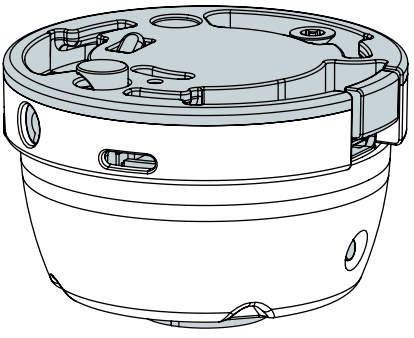
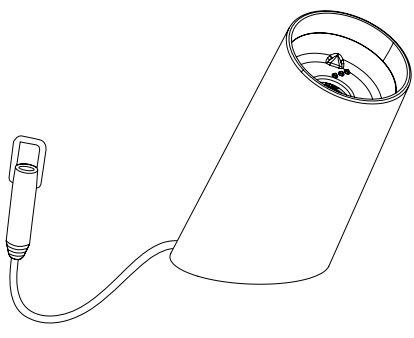
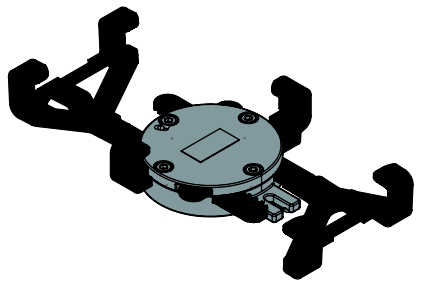


**For additional support, please reach out to our  
Contact Center at 800-426-6844**

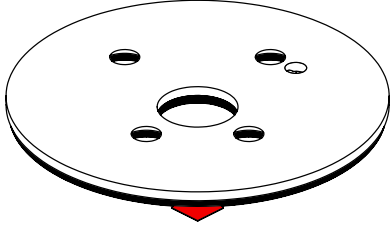
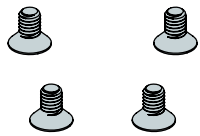
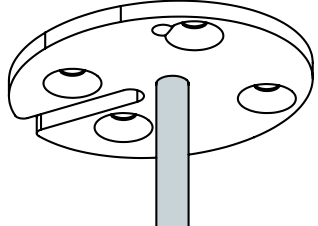
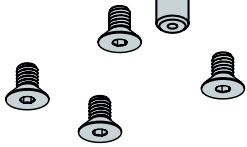
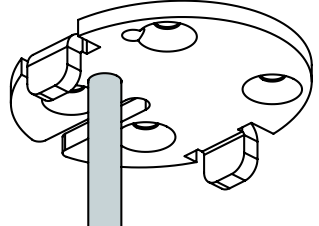
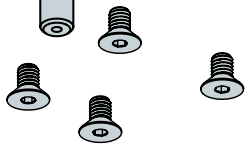


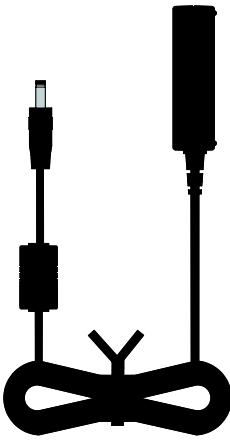



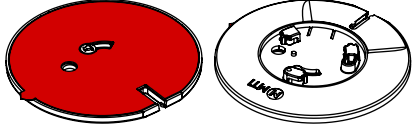
**WARNING:** MTI products contains chemicals known to the State of California to cause cancer and birth defects or other reproductive harm. Proposition 65, California Health & Safety Code Section 25249.6 et seq. Visit [oehha.ca.gov](http://oehha.ca.gov) for more information.



Freedom Micro® II Puck	Freedom Micro® II Riser	SpeedBracket™
		

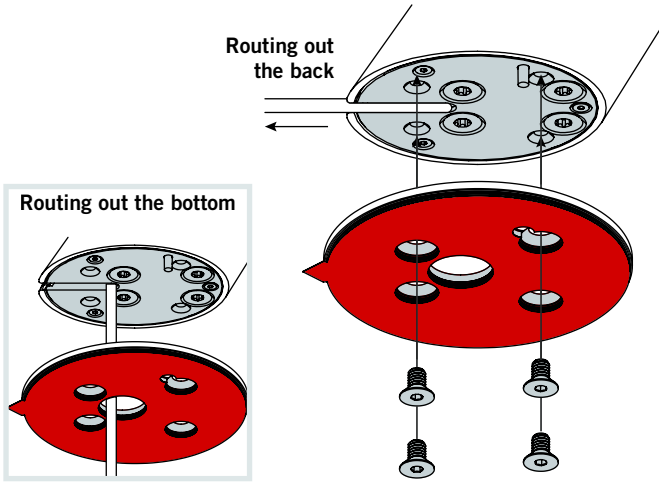
## Mounting Options

VHB Mounting	Through Hole Mounting	Slot Mounting
 	 	 

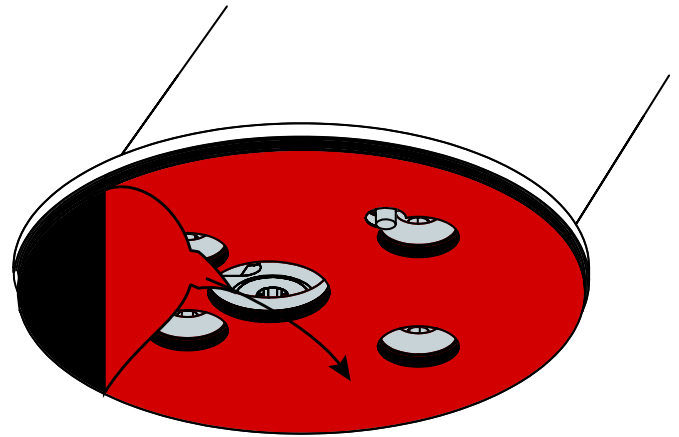
Power Supply	Freedom Micro® II Tool	SpeedPlate™ Options
 <p> Only use 5.9V 3.5A MTI Power Supply, not exceed PS 2. Other spec may cause damage.</p>		<p>Phones</p>  <p>Tablets</p> 

# BASEPLATE OPTIONS - ADHESIVE

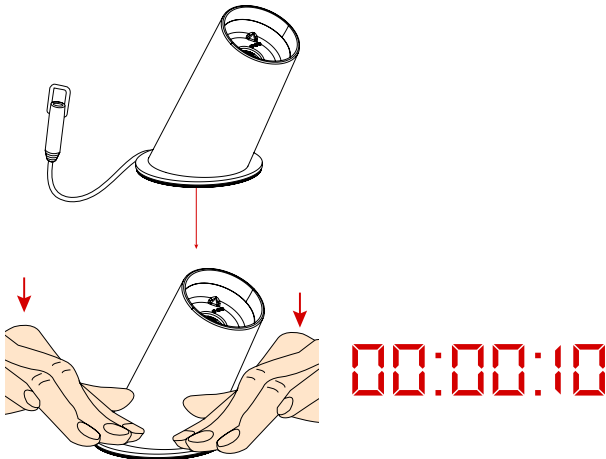
**1** Route the cable as desired and attach the baseplate with the included screws.



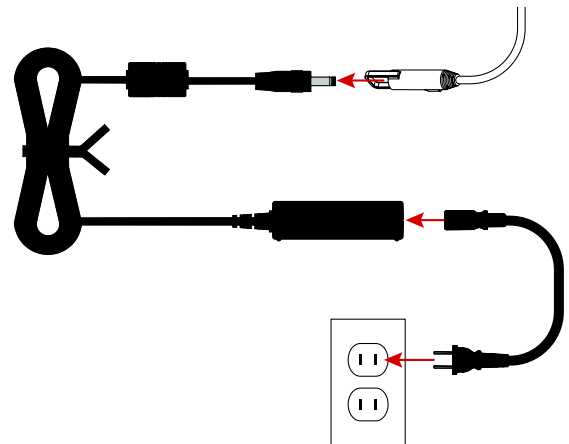
**2** Peel the red film from the adhesive.



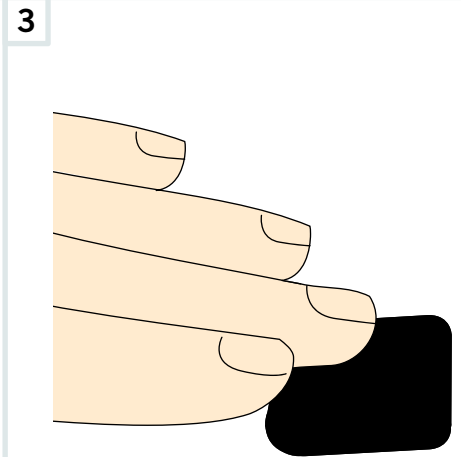
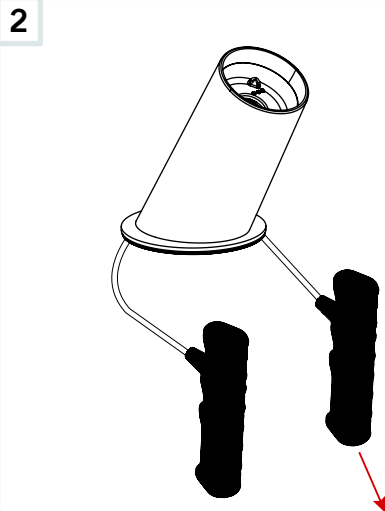
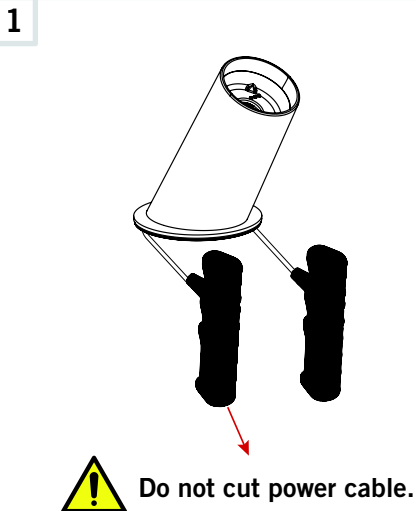
**3** Place Micro position in desired location. Press down on the base plate for 10 seconds for full adhesive contact. Allow 24 hours for full adhesion.



**4** Use the individual power supply and plug it into the nearest outlet. The socket-outlet shall be installed near the equipment and shall be easily accessible.

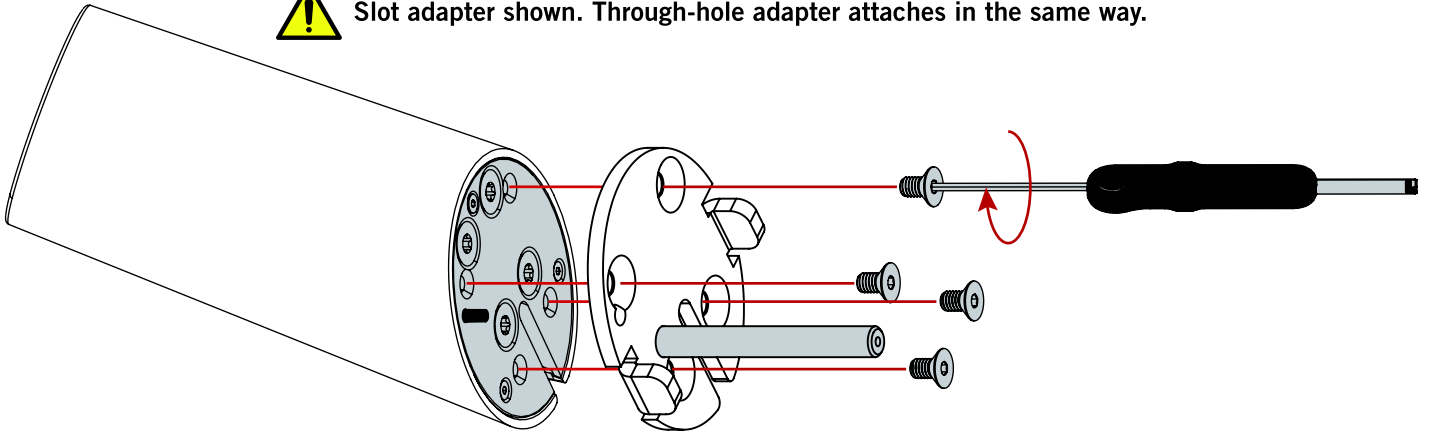


# ADHESIVE POSITION REMOVAL



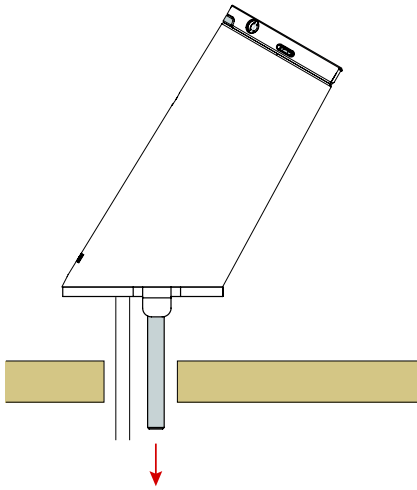


Slot adapter shown. Through-hole adapter attaches in the same way.

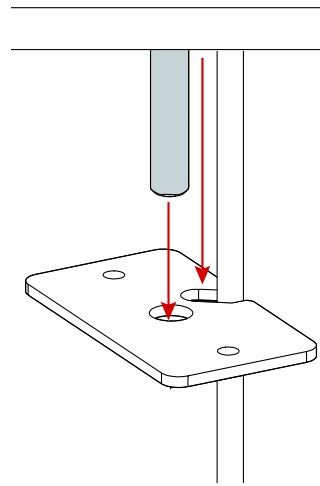


## MOUNTING SLOT & THROUGH-HOLE ADAPTERS

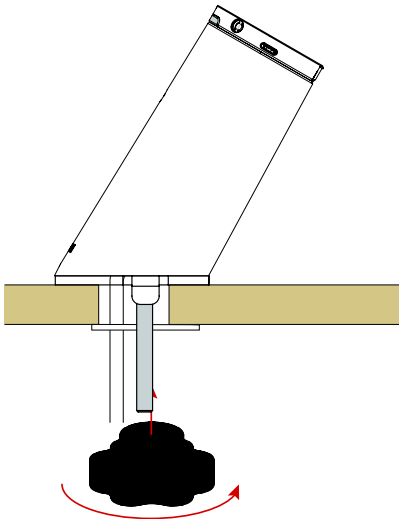
- 1 Insert the Freedom Micro® II position into the slot or hole.



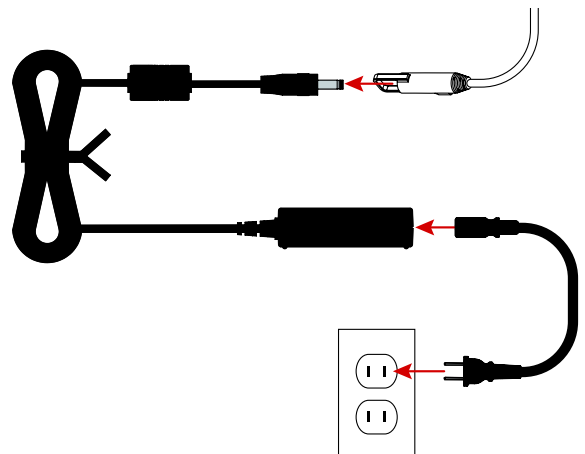
- 2 Place the power cable into the slot on the bottom plate, then slide it up over the slot adapter post.



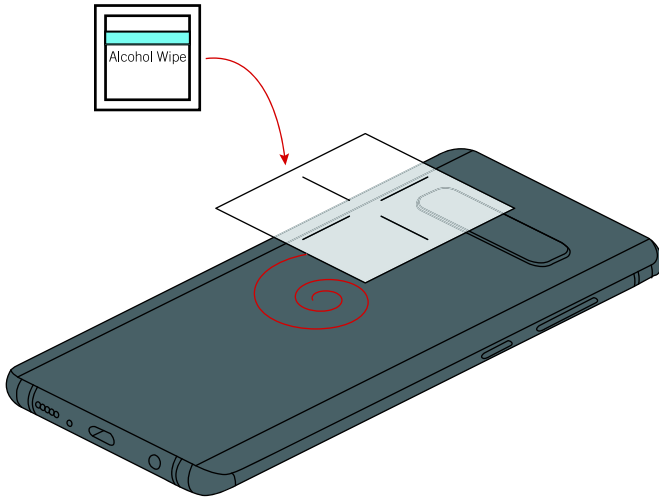
- 3 Secure the Freedom Micro® II position with the knob.



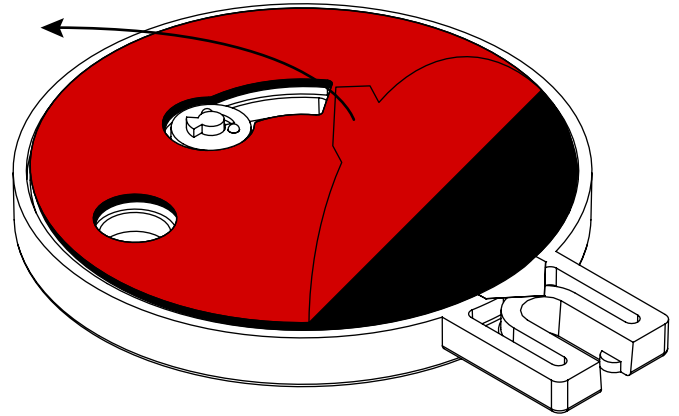
- 4 Use the individual power supply and plug it into the nearest outlet. Use an outlet installed near the equipment that is easily accessible.



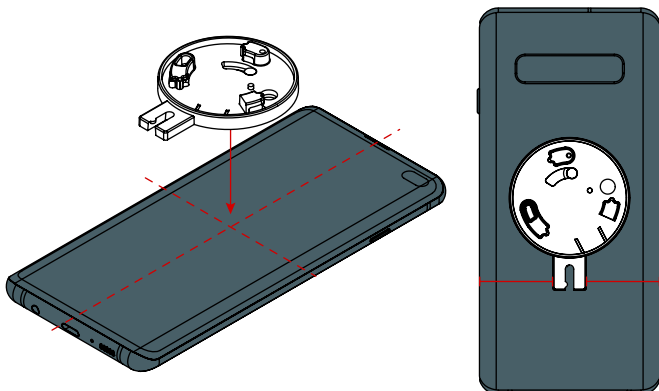
**1** Clean the device with an alcohol wipe.



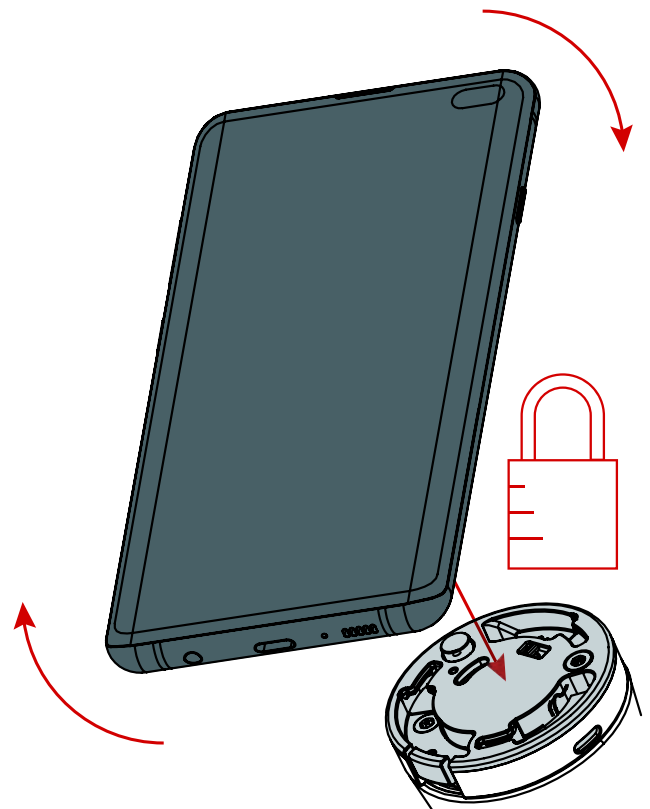
**2** Peel red backing off of the adhesive on the SpeedPlate™.



**3** Apply the SpeedPlate™ to the phone, with the cable retainer towards the charge port of the phone. Use the SpeedPlate™ cable retainer as alignment reference.

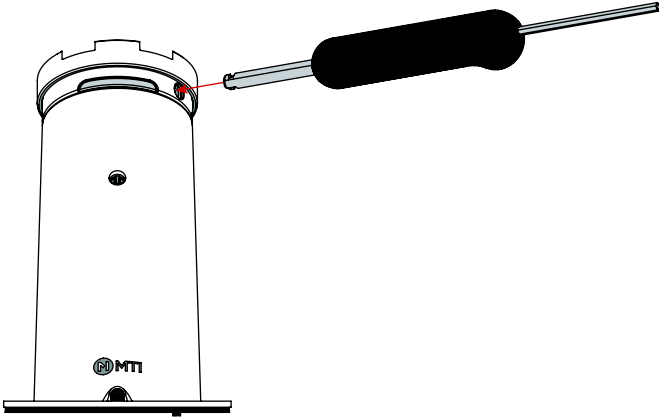


**4** Place the device onto the puck and rotate the device clockwise on the puck until it locks into place.

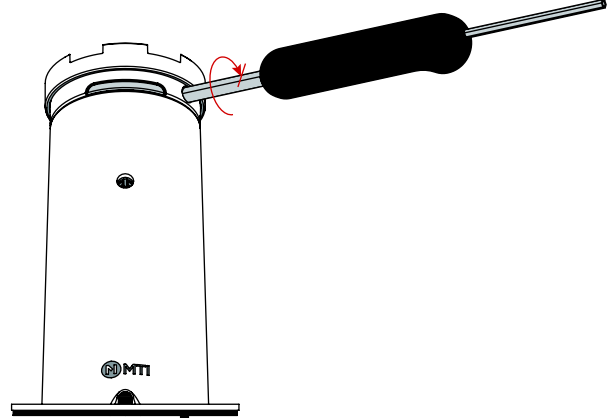


# REMOVING SPEEDPLATE™ FROM PUCK

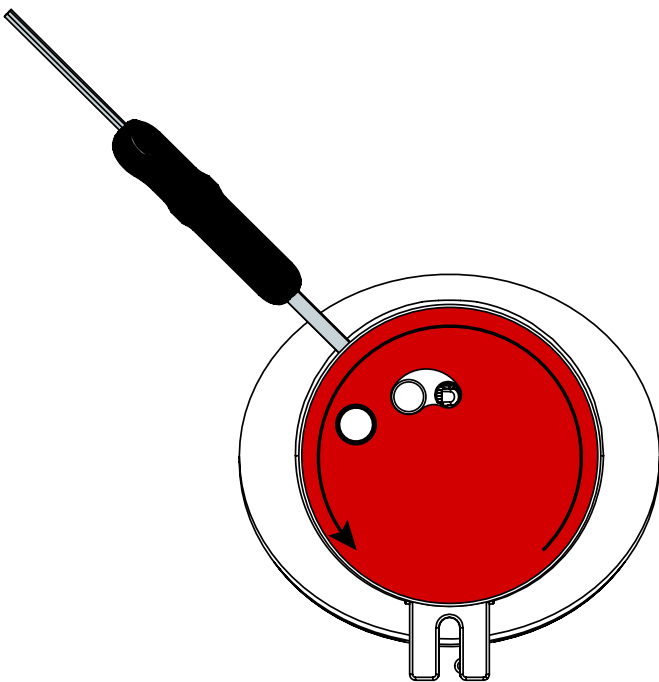
- 1** Insert the crescent end of the Freedom Micro® II tool into the opening to the right of the LED.



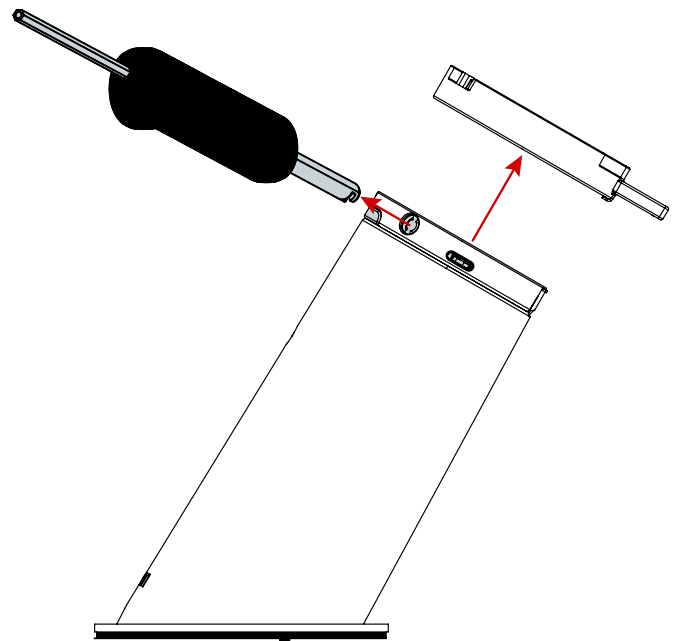
- 2** Twist the Freedom Micro® II tool clockwise 45 degrees and hold it in place.



- 3** With the Freedom Micro® II tool held in the twisted position, rotate the SpeedPlate™ counterclockwise.

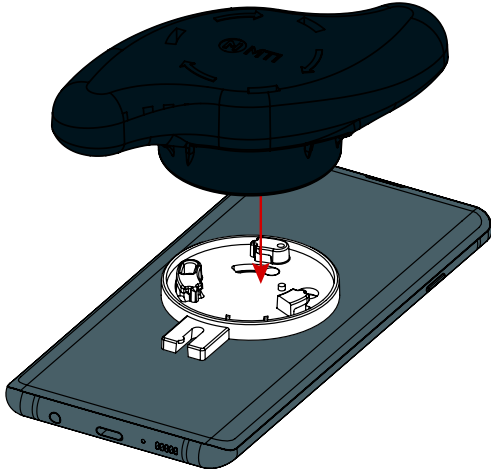


- 4** Remove the SpeedPlate™ from the Freedom Micro® II Puck, then release and remove the Freedom Micro® II tool.

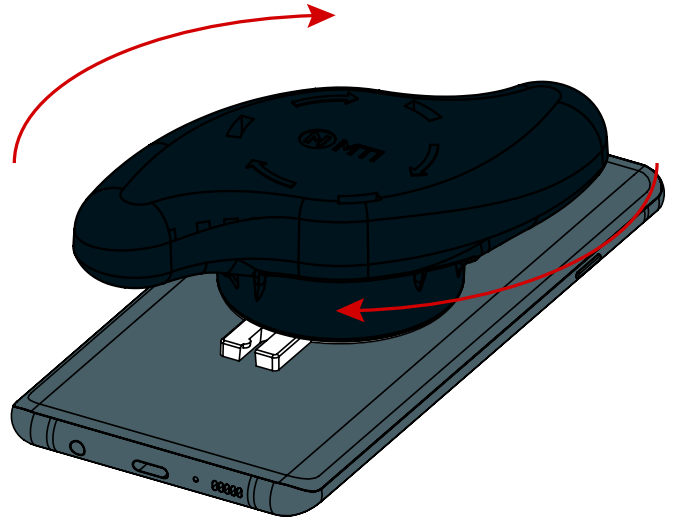


# REMOVING SPEEDPLATE™ FROM DEVICE

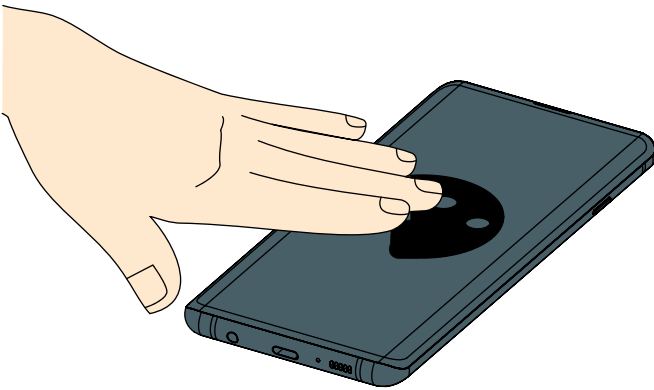
- 1** Place the SpeedPlate™ removal tool onto the SpeedPlate™, aligning the holes on the tool with the rotation locks.



- 2** Rotate the tool clockwise.

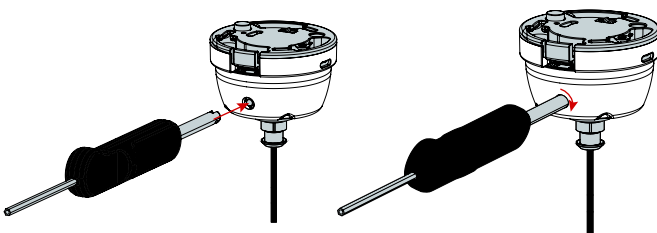


- 3** Roll any remaining adhesive off of the device.

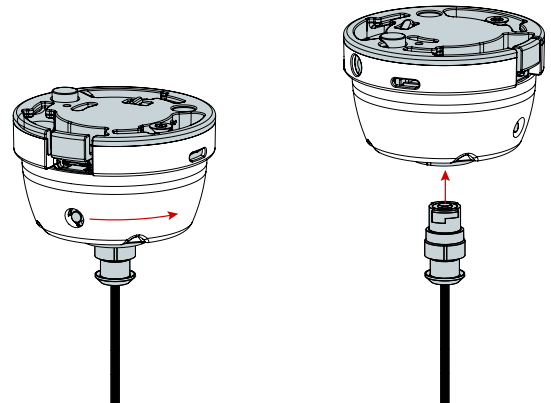


# REMOVING PUCK FROM TETHER

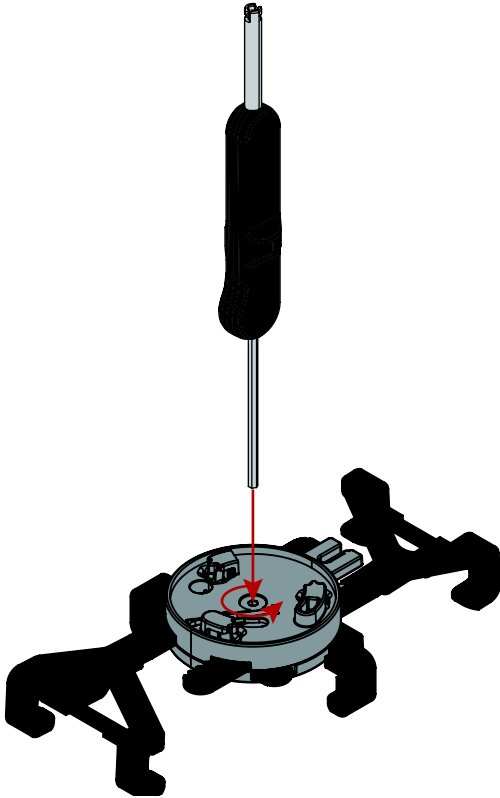
- 1** Lift puck out of riser, insert the crescent end of the Freedom Micro II tool into the opening below the charge port on the puck. Twist the Freedom Micro II tool counterclockwise to unlock the puck from the tether.



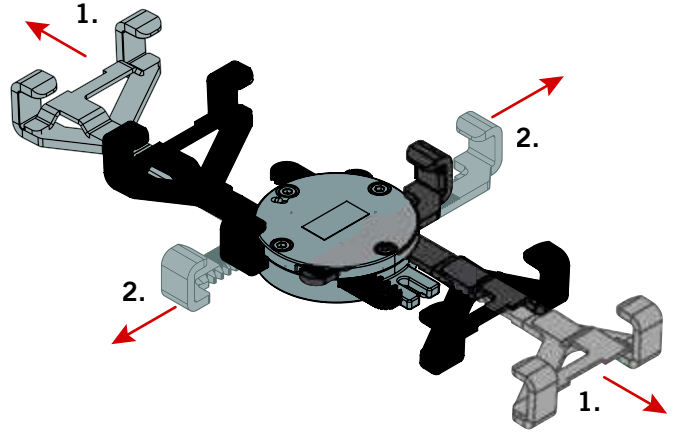
- 2** Once the puck is loose, rotate the puck 45 degrees counterclockwise in relation to the tether. Lift the puck off of tether connection.



- 1** Loosen the center screw on the universal bracket to loosen the bracket arms.

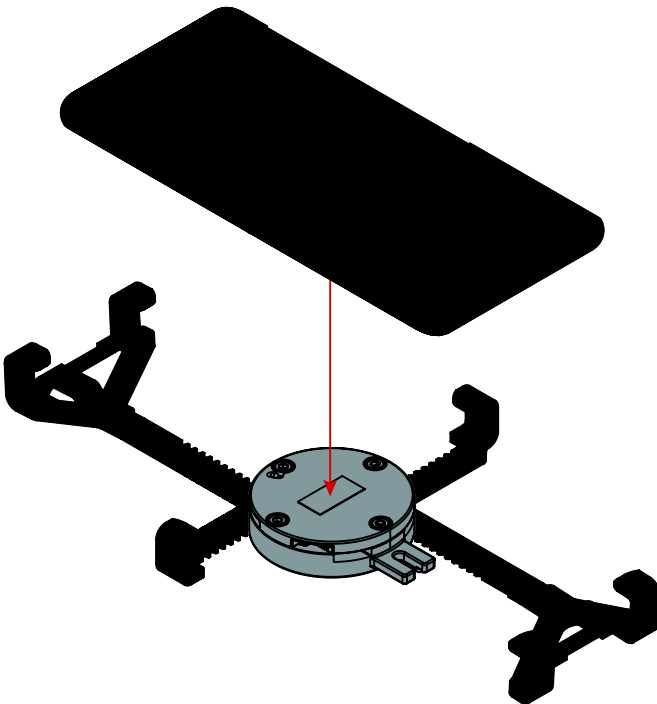


- 2** Extend the bracket arms as far as needed. The bracket arms move simultaneously in pairs (top & bottom, and left & right).

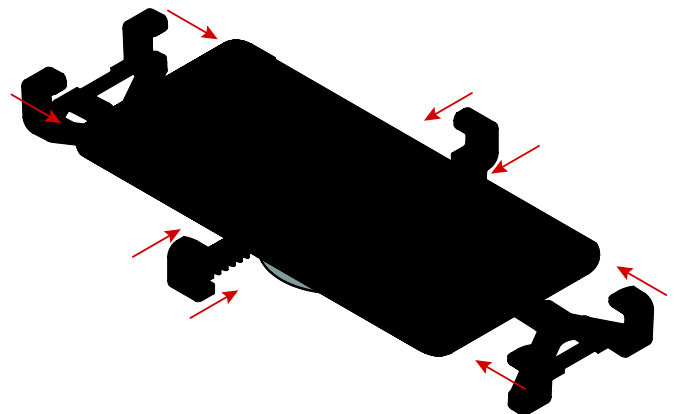


**Open the top and bottom bracket arms, then the side arms, in that order.**

- 3** Place the phone into the universal bracket.

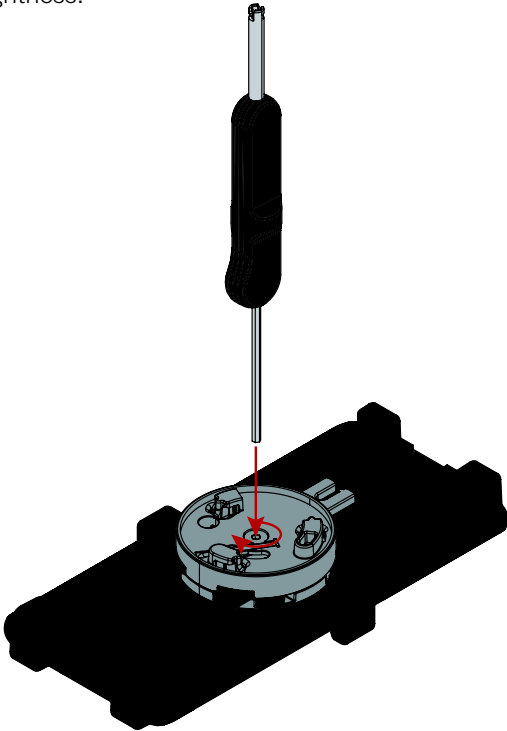


- 4** Adjust the universal bracket to fit the device snugly.

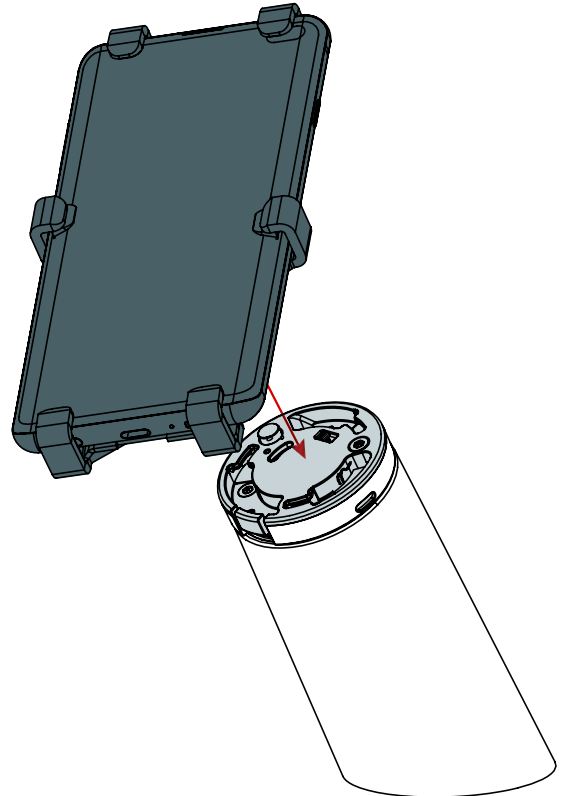




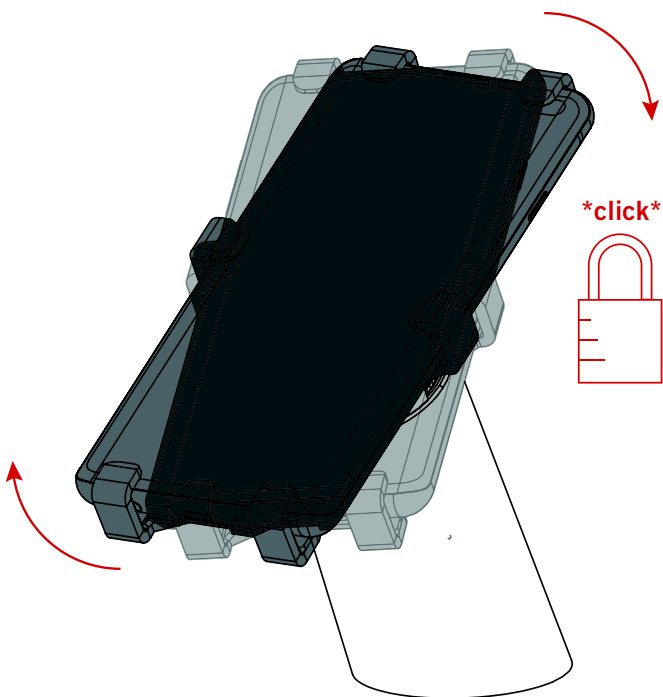
- 5** Tighten the center screw on the SpeedBracket™ to secure the bracket arms in place around the device. After tightening screw, wiggle the arms to ensure they have fully engaged the lock teeth, then re-check screw for tightness.



- 6** Place device back onto puck.



- 7** Rotate the device and bracket clockwise on the puck until it locks into place.



- 8**