

TEST REPORT

Report No.: 19081517HKG-002

Mobile Technologies Inc.

Application for Original Grant of 47 CFR Part 15 Certification

Single New Application of RSS-210 Issue 9 Equipment

FCC ID: 2AA2X-16500747

IC: 24439-16500747

Prepared and Checked by:

Approved by:

Signed On File

Wong Cheuk Ho, Herbert
Lead Engineer

Wong Kwok Yeung, Kenneth
Senior Lead Engineer
Date: October 18, 2019

Intertek's standard Terms and Conditions can be obtained at our website <http://www.intertek.com/terms/>.

The test report only allows to be revised within the retention period unless further standard or the requirement was noticed.

This report is for the exclusive use of Intertek's Client and is provided pursuant to the agreement between Intertek and its Client. Intertek's responsibility and liability are limited to the terms and conditions of the agreement. Intertek assumes no liability to any party, other than to the Client in accordance with the agreement, for any loss, expense or damage occasioned by the use of this report. Only the Client is authorized to permit copying or distribution of this report and then only in its entirety. Any use of the Intertek name or one of its marks for the sale or advertisement of the tested material, product or service must first be approved in writing by Intertek. The observations and test results in this report are relevant only to the sample tested. This report by itself does not imply that the material, product, or service is or has ever been under an Intertek certification program.

© 2017 Intertek

TEST REPORT

GENERAL INFORMATION

Grantee:	Mobile Technologies Inc.
Grantee Address:	1050 NE 67th Ave., Hillsboro, Oregon, 97124, United States
Contact Person:	Audy Tse
Tel:	29671088
Fax:	29671000
e-mail:	audy.tse@mtigs.com
Brand Name:	N/A
Model / HVIN:	165-00747
PMN:	2-Factor Authentication PIN Pad
Type of EUT:	Transceiver
Description of EUT:	RFID Card Reader
Serial Number:	N/A
FCC ID / IC:	2AA2X-16500747 / 24439-16500747
Date of Sample Submitted:	September 06, 2019
Date of Test:	September 06, 2019 to October 18, 2019
Report No.:	19081517HKG-002
Report Date:	October 18, 2019
Environmental Conditions:	Temperature: +10 to 40°C Humidity: 10 to 90%
Conclusion:	Test was conducted by client submitted sample. The submitted sample as received complied with the 47 CFR Part 15 / RSS-210 Issue 9 Certification.

TEST REPORT

SUMMARY OF TEST RESULT

Test Specification	Reference	Results
Radiated Emission Radiated Emission on the Bandedge	15.209 / RSS-gen	Pass
Transmitter Power Line Conducted Emissions	15.207 / RSS-gen	Pass

The equipment under test is found to be complying with the following standards:

FCC Part 15, October 1, 2018 Edition

RSS-210 Issue 9, August 2016

RSS-Gen Issue 5 + Amendment 1, March 2019

- Note:
1. The EUT uses a permanently attached antenna which, in accordance to section 15.203, is considered sufficient to comply with the provisions of this section.
 2. Pursuant to FCC part 15 Section 15.215(c), the 20 dB bandwidth of the emission was contained within the frequency band designated (mentioned as above) which the EUT operated. The effects, if any, from frequency sweeping, frequency hopping, other modulation techniques and frequency stability over excepted variations in temperature and supply voltage were considered.

TEST REPORT

TABLE OF CONTENTS

1.0 GENERAL DESCRIPTION 5

 1.1 Product Description5

 1.2 Related Submittal(s) Grants5

 1.3 Test Methodology.....5

 1.4 Test Facility5

2.0 SYSTEM TEST CONFIGURATION..... 6

 2.1 Justification.....6

 2.2 EUT Exercising Software.....6

 2.3 Special Accessories6

 2.4 Measurement Uncertainty.....6

 2.5 Support Equipment List and Description.....6

3.0 EMISSION RESULTS..... 7

 3.1 Field Strength Calculation7

 3.2 Radiated Emission Configuration Photograph.....8

 3.3 Radiated Emission Data8

 3.4 Conducted Emission Configuration Photograph8

 3.5 Conducted Emission Data8

4.0 EQUIPMENT PHOTOGRAPHS 13

5.0 PRODUCT LABELLING..... 13

6.0 TECHNICAL SPECIFICATIONS 13

7.0 INSTRUCTION MANUAL..... 13

8.0 MISCELLANEOUS INFORMATION 14

 8.1 Measured Bandwidth14

 8.2 Discussion of Pulse Desensitization.....15

 8.3 Calculation of Average Factor15

 8.4 Emissions Test Procedures.....16

9.0 CONFIDENTIALITY REQUEST 21

10.0 EQUIPMENT LIST 21

TEST REPORT

1.0 GENERAL DESCRIPTION

1.1 Product Description

The Equipment-Under-Test (EUT) Model: 165-00747 is a RFID Card Reader. The EUT is built in with the Raspberry Pi which is operated by Linux system and contains a 125kHz RFID card reader. It provided the display to the end user to indicate whether the swipe card (passive 125kHz RFID tag) is accepted or not. Then the information of card will send to cloud via EUT Ethernet port. The EUT is powered by AC/DC adaptor (Model: CDS015-T051 Input:100-240VAC 50/60Hz 0.4A, Output: 5.15V 3A, with ferrite). Wifi feature on the Raspberry Pi is not used as declared by applicant.

Antenna Type: Internal, Integral

For electronic filing, the brief circuit description is saved with filename: descri.pdf.

1.2 Related Submittal(s) Grants

This is a single application for certification of a transmitter.

1.3 Test Methodology

Both AC mains line-conducted and radiated emission measurements were performed according to the procedures in ANSI C63.10 (2013). All radiated measurements were performed in an 3m Chamber. Preliminary scans were performed in the 3m Chamber only to determine worst case modes. All radiated tests were performed at an antenna to EUT distance of 3 meters, unless stated otherwise in the “**Justification Section**” of this Application.

1.4 Test Facility

The 3m Chamber and conducted measurement facility used to collect the radiated data is located at Workshop No. 3, G/F., World-Wide Industrial Centre, 43-47 Shan Mei Street, Fo Tan, Sha Tin, N.T., Hong Kong. This test facility and site measurement data have been placed on file with the FCC and Industry Canada No.: 2042H.

TEST REPORT

2.0 SYSTEM TEST CONFIGURATION

2.1 Justification

The system was configured for testing in a typical fashion (as a customer would normally use it), and in the confines as outlined in ANSI C63.10 (2013).

The device was powered by 120VAC.

For maximizing emissions below 30 MHz, the EUT was rotated through 360°, the centre of the loop antenna was placed 1 meter above the ground, and the antenna polarization was changed. For maximizing emission at and above 30 MHz, the EUT was rotated through 360°, the antenna height was varied from 1 meter to 4 meters above the ground plane, and the antenna polarization was changed. This step by step procedure for maximizing emissions led to the data report in Exhibit 3.0.

The rear of unit shall be flushed with the rear of the table.

The equipment under test (EUT) was configured for testing in a typical fashion (as a customer would normally use it). The EUT was mounted to a plastic stand if necessary and placed on the wooden turntable, which enabled the engineer to maximize emissions through its placement in the three orthogonal axes.

2.2 EUT Exercising Software

There was no special software to exercise the device. Once the unit is powered up, it transmits the RF signal continuously.

2.3 Special Accessories

There are no special accessories necessary for compliance of this product.

2.4 Measurement Uncertainty

When determining of the test conclusion, the Measurement Uncertainty of test has been considered.

Uncertainty and Compliance - Unless the standard specifically states that measured values are to be extended by the measurement uncertainty in determining compliance, all compliance determinations are based on the actual measured value.

2.5 Support Equipment List and Description

- 1) 1 x LAN cable of 2m long
(Provided by Intertek)
- 2) swipe card (125kHz RFID tag)
- 3) Adaptor with ferrite
Model: CDS015-T051
Input: 100-240VAC 0.45A 50/60Hz
Output: 5.15VDC 3A
(Provided by Applicant)

TEST REPORT

3.0 EMISSION RESULTS

Data is included of the worst case configuration (the configuration which resulted in the highest emission levels). A sample calculation, configuration photographs and data tables of the emissions are included.

3.1 Field Strength Calculation

The field strength is calculated by adding the Antenna Factor and Cable Factor, and subtracting the Amplifier Gain (if any), Average Factor (optional) from the measured reading. The basic equation with a sample calculation is as follows:

$$FS = RA + AF + CF - AG - AV$$

where FS = Field Strength in dB μ V/m

RA = Receiver Amplitude (including preamplifier) in dB μ V

CF = Cable Attenuation Factor in dB

AF = Antenna Factor in dB

AG = Amplifier Gain in dB

AV = Average Factor in dB

In the following table(s), the reading shown on the data table reflects the preamplifier gain. An example for the calculations in the following table is as follows:

$$FS = RR + LF$$

where FS = Field Strength in dB μ V/m

RR = RA - AG - AV in dB μ V

LF = CF + AF in dB

Assume a receiver reading of 52.0 dB μ V is obtained. The antenna factor of 7.4 dB and cable factor of 1.6 dB are added. The amplifier gain of 29 dB and average factor of 5 dB are subtracted, giving a field strength of 27 dB μ V/m. This value in dB μ V/m was converted to its corresponding level in μ V/m.

$$RA = 52.0 \text{ dB}\mu\text{V/m}$$

$$AF = 7.4 \text{ dB}$$

$$CF = 1.6 \text{ dB}$$

$$AG = 29.0 \text{ dB}$$

$$AV = 5.0 \text{ dB}$$

$$FS = RR + LF$$

$$FS = 18 + 9 = 27 \text{ dB}\mu\text{V/m}$$

$$RR = 18.0 \text{ dB}\mu\text{V}$$

$$LF = 9.0 \text{ dB}$$

$$\text{Level in } \mu\text{V/m} = \text{Common Antilogarithm } [(27 \text{ dB}\mu\text{V/m})/20] = 22.4 \mu\text{V/m}$$

TEST REPORT

3.2 Radiated Emission Configuration Photograph

The worst case in radiated emission was found at 750.002 MHz

For electronic filing, the worst case radiated emission configuration photographs are saved with filename: radiated photos.pdf.

3.3 Radiated Emission Data

The data on the following page lists the significant emission frequencies, the limit and the margin of compliance. Numbers with a minus sign are below the limit.

Judgment: Passed by 0.4 dB

3.4 Conducted Emission Configuration Photograph

The worst case in line-conducted emission was found at 23.127 MHz

For electronic filing, the worst case line-conducted configuration photographs are saved with filename: conducted photo.pdf.

3.5 Conducted Emission Data

For electronic filing, the graph and data table of conducted emission is saved with filename: conducted.pdf.

Judgment: Pass by 15.9 dB

TEST REPORT

CONDUCTED EMISSION

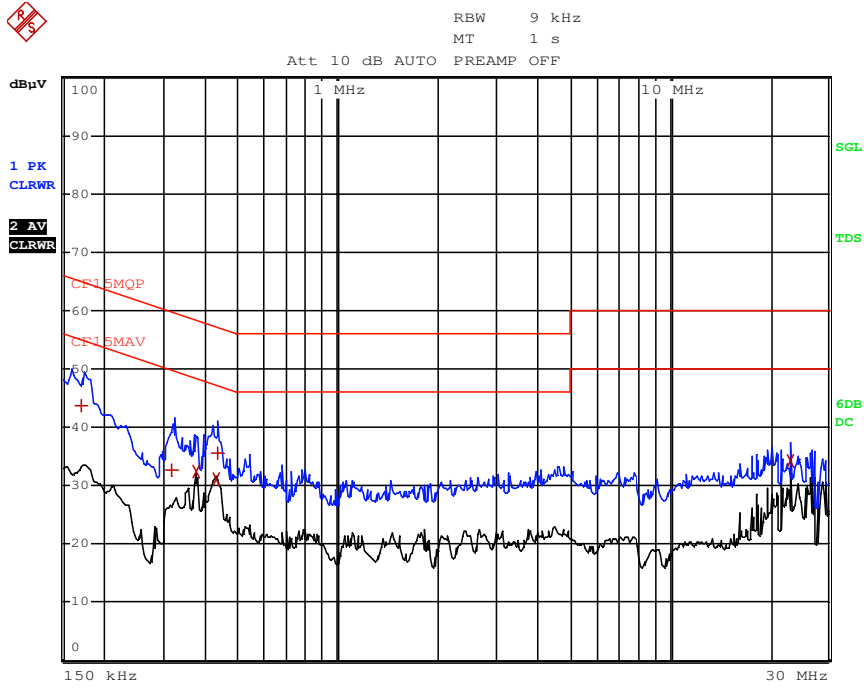
Model: 165-00747

Date of Test: October 17, 2019

Worst-Case Operating Mode: 125kHz RFID Card Reader + LAN Operating

EDIT PEAK LIST (Final Measurement Results)				
TRACE	FREQUENCY	LEVEL dBµV	DELTA	LIMIT dB
Trace1:	CF15MQP			
Trace2:	CF15MAV			
Trace3:	---			
1 Quasi Peak	172.5 kHz	43.63 L1	-21.20	
1 Quasi Peak	321 kHz	32.68 N	-26.99	
2 CISPR Average	375 kHz	32.33 L1	-16.05	
2 CISPR Average	429 kHz	31.10 N	-16.16	
1 Quasi Peak	433.5 kHz	35.50 N	-21.68	
2 CISPR Average	23.127 MHz	34.12 L1	-15.87	

TEST REPORT



Note: Measurement Uncertainty is ± 4.2 dB at a level of confidence of 95%.

TEST REPORT

RADIATED EMISSIONS

Model: 165-00747

Date of Test: October 17, 2019

Worst-Case Operating Mode: Transmitting (125kHz RFID Card Reader)

Table 1
Pursuant to FCC Part 15 Section 15.209 / RSS-Gen Requirement

9-90kHz and 110-490kHz (Average data)

Polarization	Frequency (MHz)	Reading (dBµV)	Pre-Amp Gain (dB)	Antenna Factor (dB)	Net at 3m (dBµV/m)	Distance Factor (dB)	Calculated at 300m (dBµV/m)	Limit at 300m (dBµV/m)	Margin (dB)
O	0.025	51.8	0	11.8	63.6	80.0	-16.4	39.6	-56.0
O	0.125	58.5	0	11.7	70.2	80.0	-9.8	25.7	-35.5
O	0.174	46.6	0	11.6	58.2	80.0	-25.9	22.8	-48.7
O	0.268	35.0	0	11.6	56.2	80.0	-33.4	19.0	-52.4

490kHz-30MHz: (Quasi-Peak data)

Polarization	Frequency (MHz)	Reading (dBµV)	Pre-Amp Gain (dB)	Antenna Factor (dB)	Net at 3m (dBµV/m)	Distance Factor (-dB)	Calculated at 30m (dBµV/m)	Limit at 30m (dBµV/m)	Margin (dB)
O	0.524	36.9	0	11.6	48.5	40.0	8.5	33.2	-24.7
O	0.772	32.7	0	11.5	44.2	40.0	4.2	29.5	-25.3
O	1.786	25.4	0	11.4	36.8	40.0	-3.2	29.5	-32.7
O	11.096	21.9	0	11.3	33.2	40.0	-6.8	29.5	-36.3

- NOTES:
1. Quasi-Peak Detector Data unless otherwise stated. Average Detector Data for 9-90kHz and 110-490kHz.
 2. All measurements were made at 3 meters. Harmonic emissions not detected at the 3-meter distances were measured at 0.3-meter and an inverse proportional extrapolation was performed to compare the signal level to the 3-meter limit. No other harmonic emissions than those reported were detected at a test distance of 0.3-meter.
 3. Negative sign in the column shows value below limit.
 4. Loop antenna is used for the emissions below 30MHz.
 5. Measurement Uncertainty is ±5.3dB at a level of confidence of 95%.

TEST REPORT

Model: 165-00747

Date of Test: October 17, 2019

Worst-Case Operating Mode: 125kHz RFID Card Reader + LAN Operating

Table 2
Pursuant to FCC Part 15 Section 15.209 / RSS-Gen Requirement

Polarization	Frequency (MHz)	Reading (dBµV)	Pre-amp (dB)	Antenna Factor (dB)	Net at 3m (dBµV/m)	Limit at 3m (dBµV/m)	Margin (dB)
V	58.794	32.4	16	11.0	27.4	40.0	-12.6
V	124.938	39.5	16	14.0	37.5	43.5	-6.0
H	249.982	36.2	16	20.0	40.2	46.0	-5.8
V	499.998	31.2	16	26.0	41.2	46.0	-4.8
V	527.780	32.5	16	27.0	43.5	46.0	-2.5
V	583.336	30.8	16	28.0	42.8	46.0	-3.2
V	624.992	30.8	16	29.0	43.8	46.0	-2.2
H	750.002	31.6	16	30.0	45.6	46.0	-0.4
H	875.004	25.6	16	32.0	41.6	46.0	-4.4

- NOTES:
1. Quasi-Peak Detector Data unless otherwise stated.
 2. All measurements were made at 3 meters. Harmonic emissions not detected at the 3-meter distances were measured at 0.3-meter and an inverse proportional extrapolation was performed to compare the signal level to the 3-meter limit. No other harmonic emissions than those reported were detected at a test distance of 0.3-meter.
 3. Negative sign in the column shows value below limit.
 4. Loop antenna is used for the emissions below 30MHz.
 5. Measurement Uncertainty is ±5.3dB at a level of confidence of 95%.

TEST REPORT

4.0 EQUIPMENT PHOTOGRAPHS

For electronic filing, the photographs are saved with filename: external photos.pdf and internal photos.pdf.

5.0 PRODUCT LABELLING

For electronics filing, the FCC ID label artwork and the label location are saved with filename: label.pdf.

6.0 TECHNICAL SPECIFICATIONS

For electronic filing, the block diagram and schematic of the tested EUT are saved with filename: block.pdf and circuit.pdf respectively.

7.0 INSTRUCTION MANUAL

For electronic filing, a preliminary copy of the Instruction Manual is saved with filename: manual.pdf.

This manual will be provided to the end-user with each unit sold/leased in the United States.

TEST REPORT

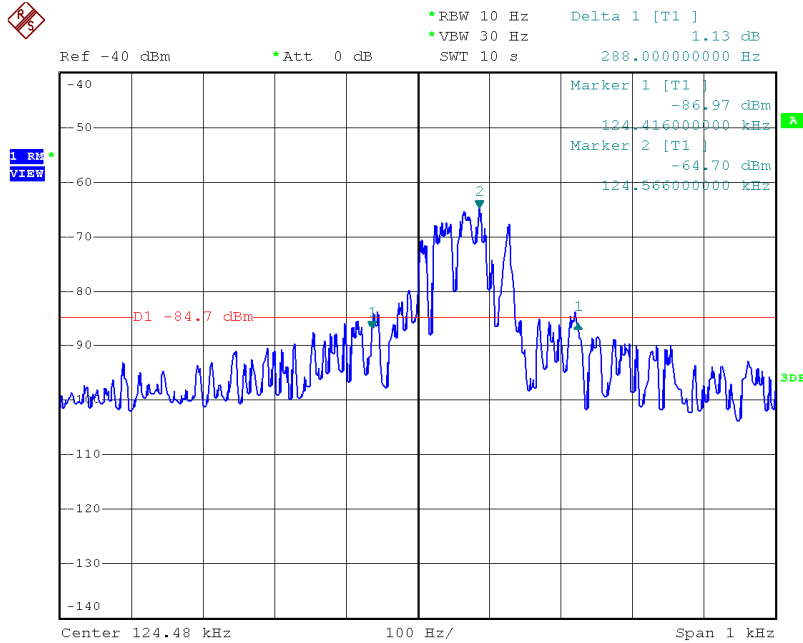
8.0 MISCELLANEOUS INFORMATION

The miscellaneous information includes details of the test procedure and measured bandwidth / calculation of factor such as pulse desensitization and averaging factor (calculation and timing diagram).

8.1 Measured Bandwidth

Pursuant to FCC Part 15 Section 15.215(c), the 20dB bandwidth of the emission was contained within the frequency band designed (mentioned as above) which the EUT operated. The effects, if any, from frequency sweeping, frequency hopping, other modulation techniques and frequency stability over expected variations in temperature and supply voltage were considered.

125kHz (single channel)



TEST REPORT

8.2 Discussion of Pulse Desensitization

Pulse desensitivity is not applicable for this device. Since the transmitter transmits the RF signal continuously.

8.3 Calculation of Average Factor

The average factor is not applicable for this device as the transmitted signal is a continuously signal.

TEST REPORT

8.4 Emissions Test Procedures

The following is a description of the test procedure used by Intertek Testing Services Hong Kong Ltd. in the measurements of transmitter operating under the Part 15, Subpart C rules.

The transmitting equipment under test (EUT) is placed on a wooden turntable which is four feet in diameter and approximately 0.8m in height above the ground plane for emission measurement at or below 1GHz and 1.5m in height above the ground plane for emission measurement above 1GHz. During the radiated emissions test, the turntable is rotated and any cables leaving the EUT are manipulated to find the configuration resulting in maximum emissions. The EUT is adjusted through all three orthogonal axis to obtain maximum emission levels. The antenna height and polarization are also varied during the testing to search for maximum signal levels. The height of the antenna is varied from one to four meters.

Detector function for radiated emissions is in peak mode. Average readings, when required, are taken by measuring the duty cycle of the equipment under test and subtracting the corresponding amount in dB from the measured peak readings. A detailed description for the calculation of the average factor can be found in Exhibit 8.3.

The frequency range scanned is from the lowest radio frequency signal generated in the device which is greater than 9 kHz to the tenth harmonic of the highest fundamental frequency or 40 GHz, whichever is lower. For line conducted emissions, the range scanned is 150 kHz to 30 MHz.

TEST REPORT

8.4 Emissions Test Procedures (cont'd)

The EUT is warmed up for 15 minutes prior to the test.

AC power to the unit is varied from 85% to 115% nominal and variation in the fundamental emission field strength is recorded. If battery powered, a new, fully charged battery is used.

Conducted measurements were made as described in ANSI C63.10 (2013).

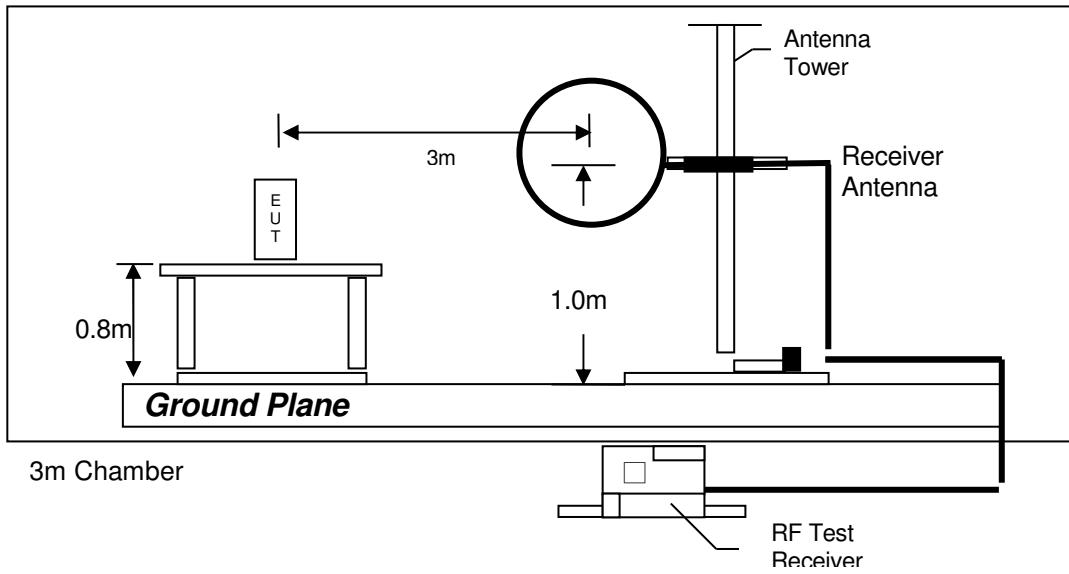
The IF bandwidth used for measurement of radiated signal strength was 100 kHz or greater when frequency is below 1000 MHz. Where pulsed transmissions of short enough pulse duration warrant, a greater bandwidth is selected according to the recommendations of Hewlett Packard Application Note 150-2. A discussion of whether pulse desensitivity is applicable to this unit is included in this report (See Exhibit 8.1). Above 1000 MHz, a resolution bandwidth of 3 MHz is used.

Transmitter measurements are normally conducted at a measurement distance of three meters. However, to assure low enough noise floor in the forbidden bands and above 1 GHz, signals are acquired at a distance of one meter or less. All measurements are extrapolated to three meters using inverse scaling, unless otherwise reported. Measurements taken at a closer distance are so marked.

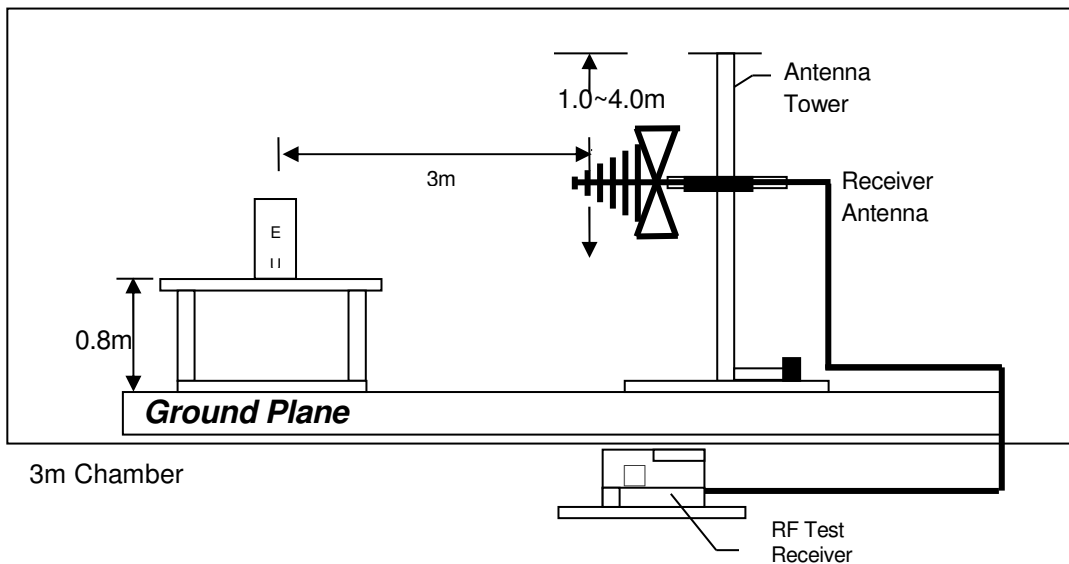
TEST REPORT

8.4.1 Radiated Emission Test Setup

The figure below shows the test setup, which is utilized to make these measurements.



Test setup of radiated emissions up to 30MHz



Test setup of radiated emissions 30MHz to 1GHz

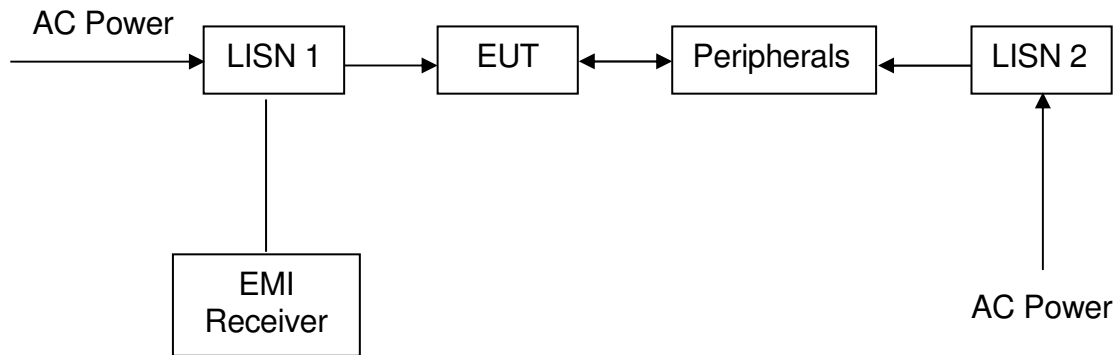
TEST REPORT

8.4.2 Conducted Emission Test Procedures

For tabletop equipment, the EUT along with its peripherals were placed on a 1.0m(W)×1.5m(L) and 0.8m in height wooden table. For floor-standing equipment, the EUT and all cables were insulated, if required, from the ground plane by up to 12 mm of insulating material. The EUT was adjusted to maintain a 0.4 meter space from a vertical reference plane. The EUT was connected to power mains through a line impedance stabilization network (LISN), which provided 50 ohm coupling impedance for measuring instrument and the chassis ground was bounded to the horizontal ground plane of shielded room. The excess power cable between the EUT and the LISN was bundled.

All connecting cables of EUT and peripherals were moved to find the maximum emission.

8.4.3 Conducted Emission Test Setup



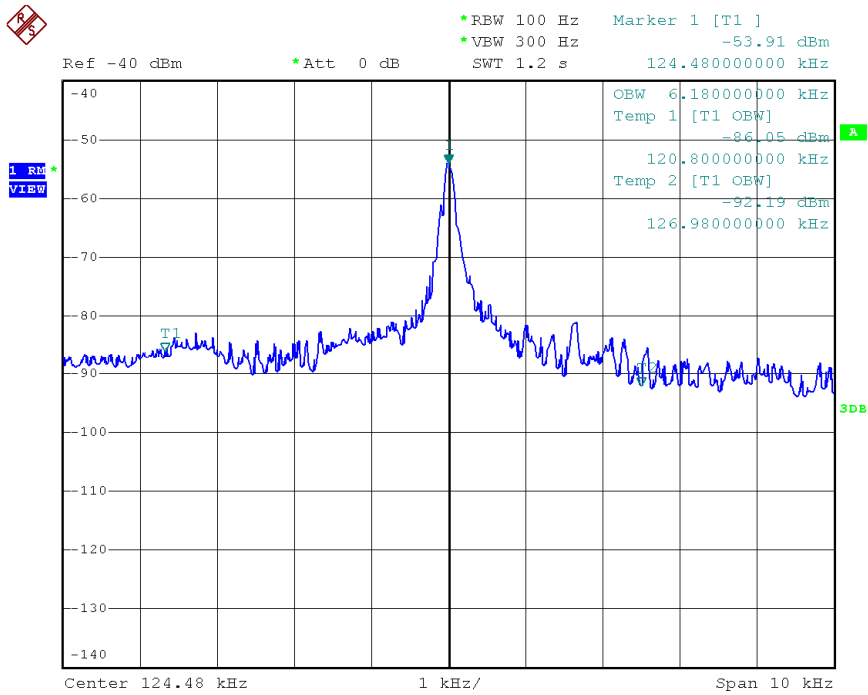
TEST REPORT

8.5 Occupied Bandwidth

Occupied Bandwidth Results:

Channel Frequency	Occupied Bandwidth (kHz)
125kHz	6.18

The worst case is shown as below



TEST REPORT

9.0 CONFIDENTIALITY REQUEST

For electronic filing, a preliminary copy of the confidentiality request is saved with filename: request.pdf.

10.0 EQUIPMENT LIST

1) Radiated Emissions Test

Equipment	EMI Test Receiver	Spectrum Analyzer	Biconical Antenna
Registration No.	EW-3156	EW-2253	EW-0571
Manufacturer	R&S	R&S	EMCO
Model No.	ESR26	FSP40	3104C
Calibration Date	November 19, 2018	November 27, 2018	July 23, 2019
Calibration Due Date	November 19, 2019	November 27, 2019	July 23, 2021

Equipment	Log Periodic Antenna	Double Ridged Guide Antenna	14m Double Shield RF Cable (20MHz to 6GHz)
Registration No.	EW-1042	EW-1133	EW-2505
Manufacturer	EMCO	EMCO	RADIALL
Model No.	3148	3115	nm / br5d / sma 14m
Calibration Date	May 23, 2019	November 29, 2018	October 27, 2018
Calibration Due Date	November 23, 2020	May 29, 2020	October 27, 2019

Equipment	RF Cable 14m (1GHz to 26.5GHz)	Pyramidal Horn Antenna	Solid State Low Noise Pre-amplifier Assembly (1 - 18)GHz
Registration No.	EW-2781	EW-0905	EW-3229
Manufacturer	GREATBILLION	EMCO	BONN ELEKTRO
Model No.	SMA m/SHF5MPU /SMA m ra14m,26G	3160-09	BLMA 0118-5G
Calibration Date	October 27, 2018	July 23, 2019	June 28, 2019
Calibration Due Date	October 27, 2019	January 23, 2021	June 28, 2020

Equipment	Active Loop H-field (9kHz to 30MHz)
Registration No.	EW-3326
Manufacturer	EMCO
Model No.	6502
Calibration Date	March 21, 2019
Calibration Due Date	September 21, 2020

TEST REPORT

2) Conducted Emissions Test

Equipment	RF Cable 80cm (RG142) (9kHz to 30MHz)	Artificial Mains Network	EMI Test Receiver
Registration No.	EW-2451	EW-2501	EW-2500
Manufacturer	RADIALL	ROHDESCHWARZ	ROHDESCHWARZ
Model No.	bnc m st / 142 / bnc m st 80cm	ENV-216	ESCI
Calibration Date	November 03, 2018	May 10, 2019	November 28, 2018
Calibration Due Date	November 03, 2019	May 10, 2020	November 28, 2019

3) Bandwidth/Bandedge Measurement

Equipment	40GHz 5m RF Cable	Spectrum Analyzer
Registration No.	EW-2701	EW-2253
Manufacturer	GREATBILLION	R&S
Model No.	sma m-m 5m 40G	FSP40
Calibration Date	May 14, 2019	November 27, 2018
Calibration Due Date	May 14, 2020	November 27, 2019

END OF TEST REPORT