

Product Manual for **2-Factor Authentication PIN Pad for Connect™**

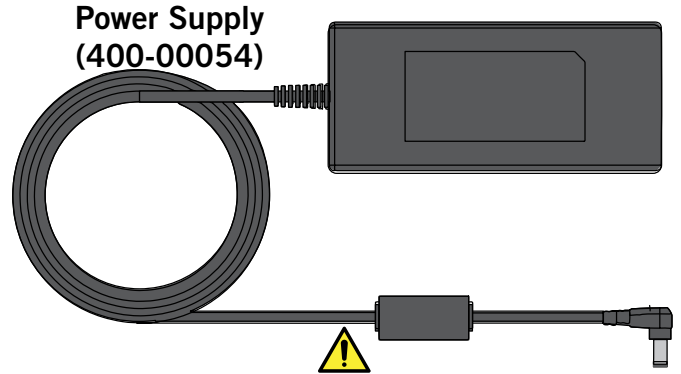
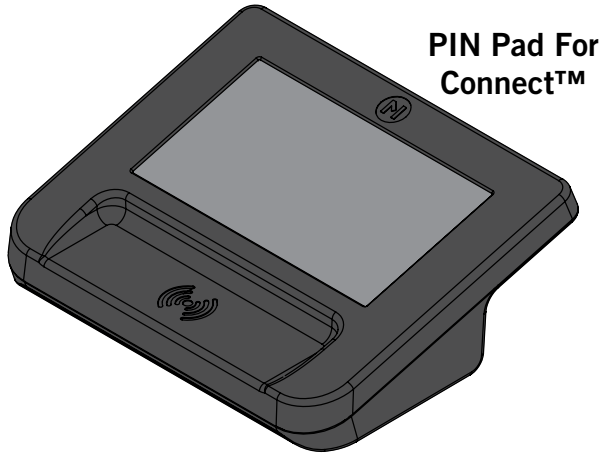
Contents

1.	Materials in Box	2
2.	Installation	2
3.	Configuration and Use	3
4.	Rotating Screen for Wall Mounting	
5.	Dimensions	4
6.	FCC and ISED Statement	5

DO NOT REMOVE FROM STORE



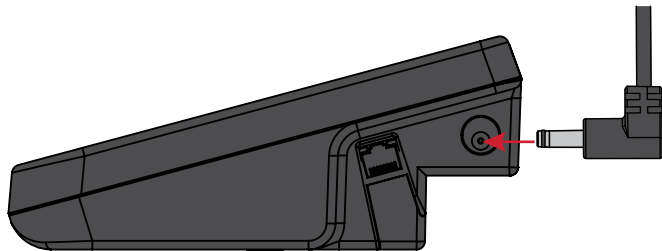
**For additional support, please reach out to our
Contact Center at 800-426-6844**




Use only provided AC/DC adapter model W&T-AD36W052300F manufactured by W&T Electronics Co., Ltd., with output rating 5.2VDC @ 3A, or model CDS015-T051, manufactured by Adapter Technology Co., Ltd., with output rating 5.15VDC @ 3A.


INSTALLATION

- 1 Plug the provided power supply into the barrel connector on the bottom of the PIN Pad and plug the Power Supply's power cable into the nearest outlet. Use an outlet installed near the equipment that is easily accessible.



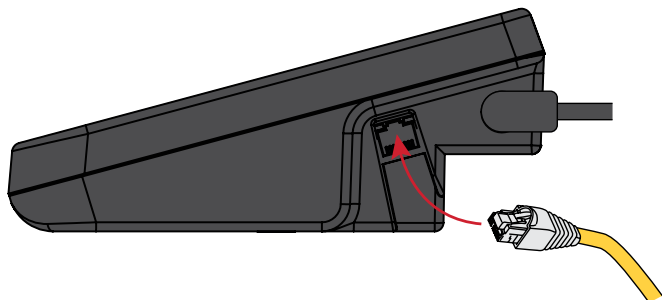
 **Main Plug of the adapter acts as disconnect device, the socket-outlet shall be installed near the equipment and shall be easily accessible.**

Warning: The Adapter used must be marked with "LPS" or "Limited Power Sources"; any others are prohibited for use.

 **La prise principale de l'adaptateur agit comme un dispositif de deconnexion, la prise de courant doit être installée près de l'équipement et doit être facilement accessible.**

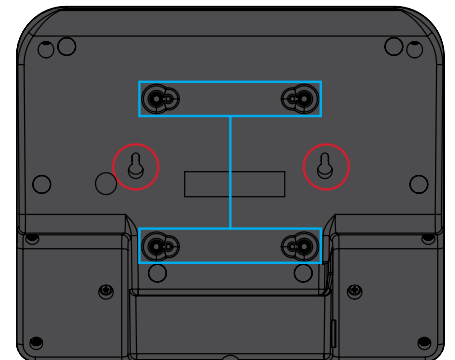
Avertissement: L'adaptateur utilisé doit porter la mention «LPS» ou «Sources d'alimentation limitées». sinon, ces autres sont interdits d'utilisation.

- 2 Connect a Cat 5e (or better) Ethernet cable with Internet connection to the RJ-45 connector on the side of the PIN Pad.

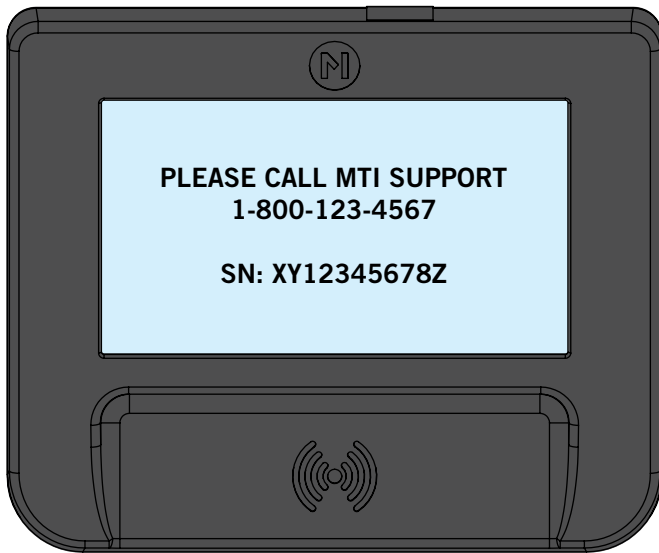


- 3 If wall mounting, install two wood or drywall screws 5 inches apart into the wall 1m to 1.5m from the floor and per local zoning, safety, and ADA regulations. Use wall anchors if installing into drywall between studs. Hang the PIN Pad on the screw heads using the slots (circled below) in the back of the PIN Pad.

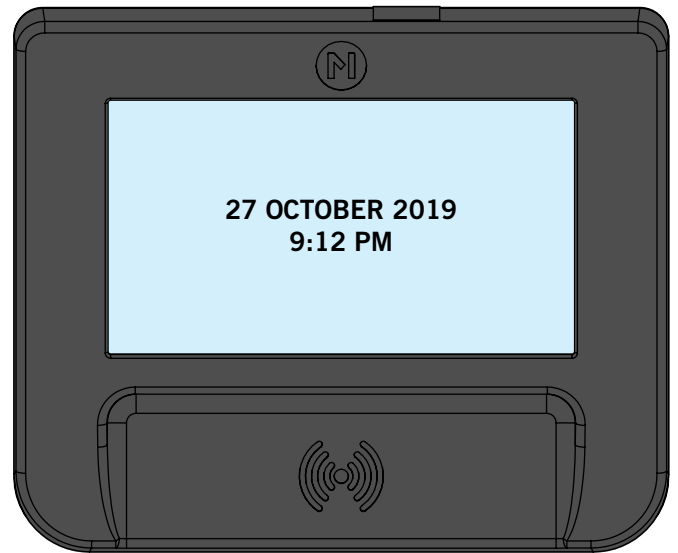
Alternately, the PIN Pad can be installed on a standard 75mm VESA mount (noted in blue).



- 1** After the PIN Pad boots, call the MTI Technical support number shown on the PIN Pad's display. The Support Technician will ask for your STORE NAME and for the PIN Pad serial number shown on the initial screen.



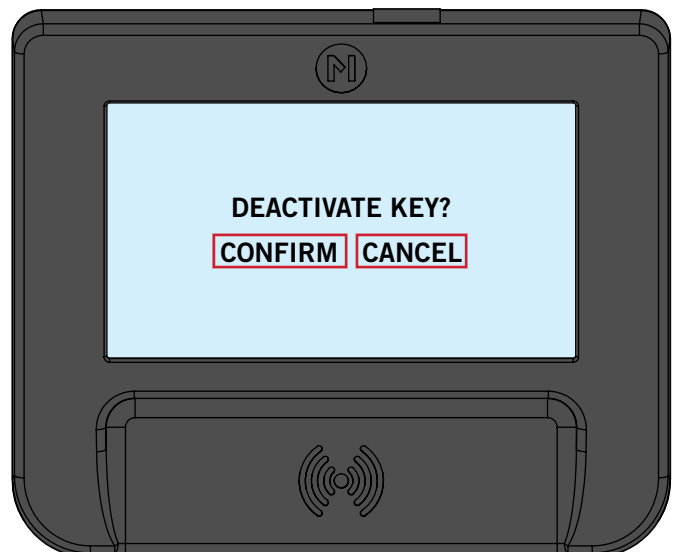
- 2** Once the PIN Pad is associated with your Store, the PIN Pad will display the time of day as set in the MTI Connect™ cloud.



- 3** To activate a key, tap it on the RFID symbol and enter your PIN. If successful, a confirmation screen will appear.



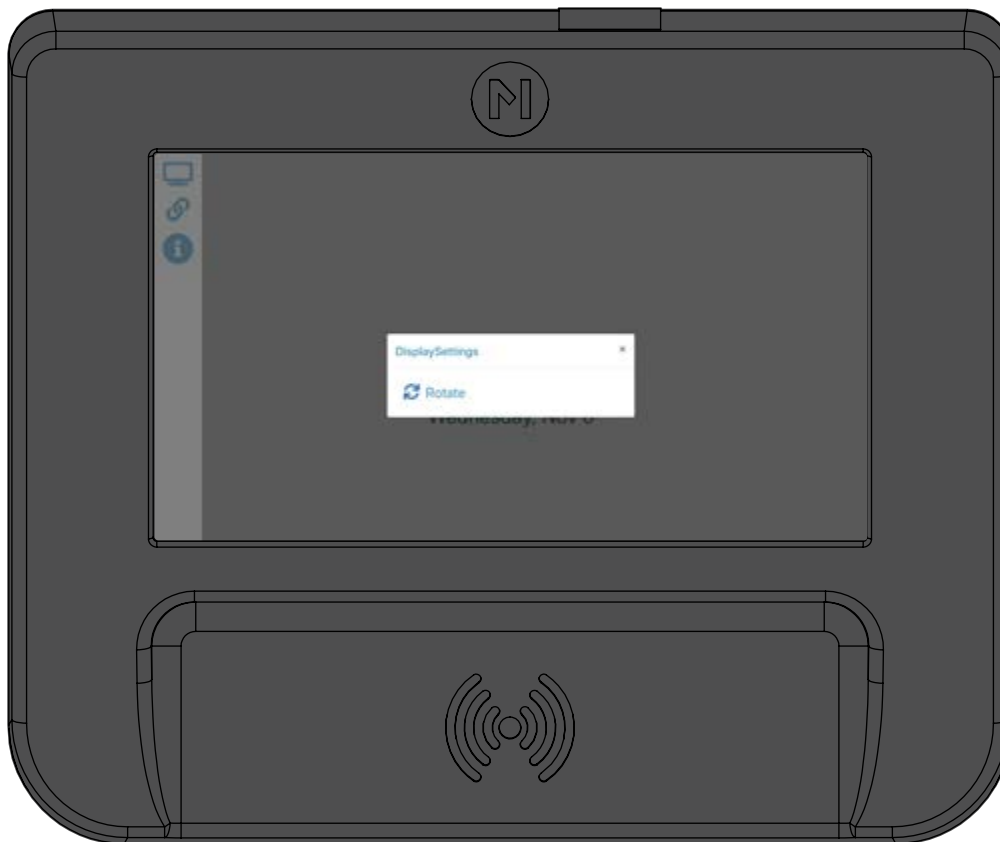
- 4** To deactivate an active key, tap it on the RFID symbol and touch CONFIRM to deactivate.

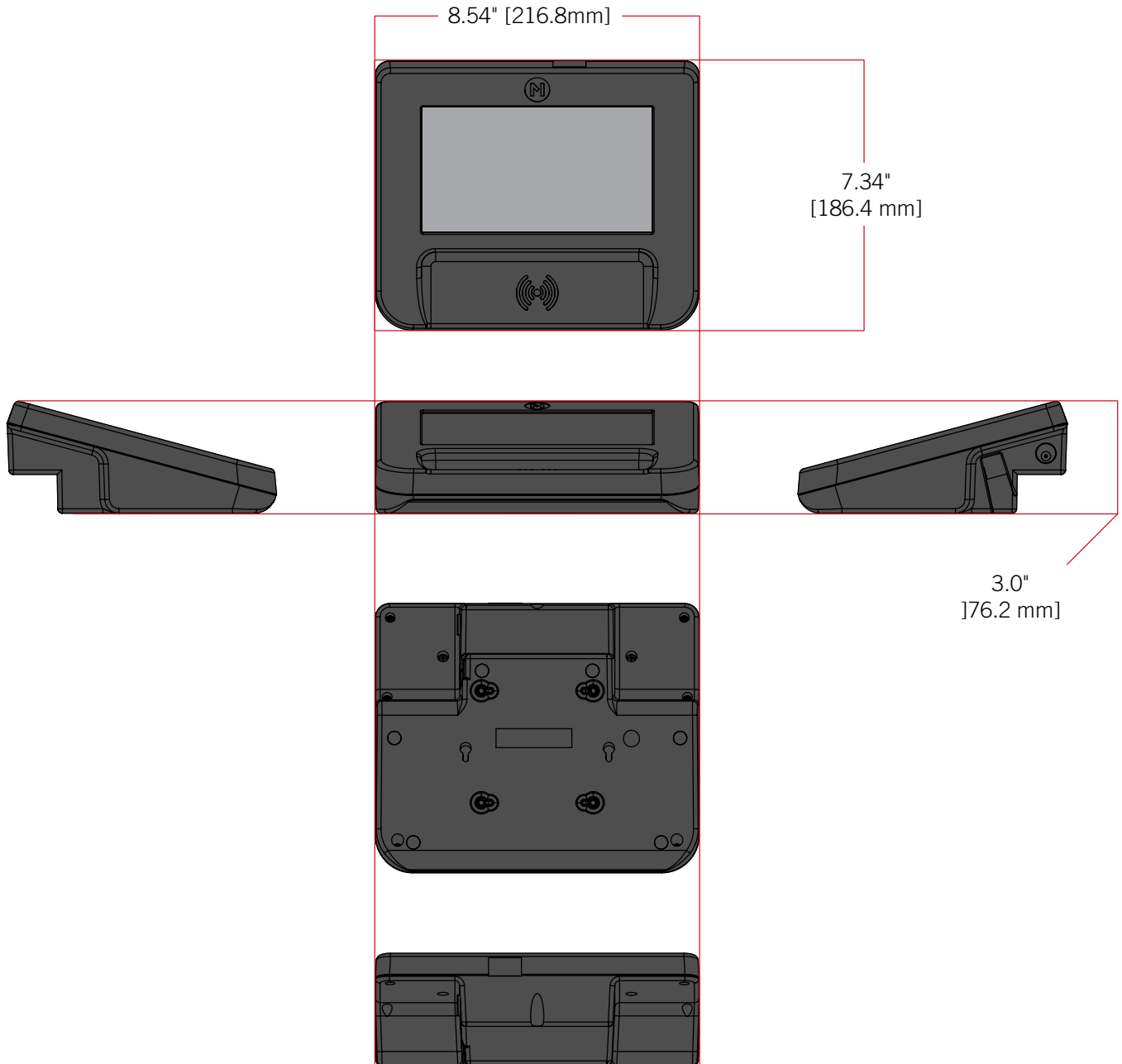


- 1 Touch anywhere on the left side of the screen to open the service menu.



- 2 Touch the top "Display" icon and then touch Rotate option to rotate the screen 180° for wall mounting.





FCC ID: 2AA2X-16500747

Model: 165-00747

FCC Statement

This device complies with Part 15 of the FCC Rules.

Caution: If any changes or modifications not expressly approved by the party responsible for compliance could void the user's authority to operate the equipment.

Operation is subject to the following two conditions: (1) This device may not cause harmful interference, and (2) This device must accept any interference received, including interference that may cause undesired operation.

The grantee is not responsible for any changes or modifications not expressly approved by the party responsible for compliance. Such modifications could void the user's authority to operate the equipment.

The RF Exposure Compliance distance is 20 centimeters.

NOTE: This equipment has been tested and found to comply with the limits for a Class B digital device, pursuant to part 15 of the FCC Rules. These limits are designed to provide reasonable protection against harmful interference in a residential installation. This equipment generates, uses and can radiate radio frequency energy and, if not installed and used in accordance with the instructions, may cause harmful interference to radio communications. However, there is no guarantee that interference will not occur in a particular installation. If this equipment does cause harmful interference to radio or television reception, which can be determined by turning the equipment off and on, the user is encouraged to try to correct the interference by one or more of the following measures:

- Reorient or relocate the receiving antenna.
- Increase the separation between the equipment and receiver.
- Connect the equipment into an outlet on a circuit different from that to which the receiver is connected.
- Consult the dealer or an experienced radio/TV technician for help.

ISED Certification Number: 24439-16500747

Model: 165-00747

ISED Statement

This device complies with Innovation, Science and Economic Development Canada licence-exempt RSS standard(s). Operation is subject to the following two conditions: (1) this device may not cause interference, and (2) this device must accept any interference, including interference that may cause undesired operation of the device.

CAN ICES-3(B)/NMB-3(B)

Le présent appareil est conforme aux CNR Innovation, Sciences et Développement économique Canada applicables aux appareils radio exempts de licence. L'exploitation est autorisée aux deux conditions suivantes:

(1) il ne doit pas produire de brouillage et (2) l'utilisateur du dispositif doit être prêt à accepter tout brouillage radioélectrique reçu, même si ce brouillage est susceptible de compromettre le fonctionnement du dispositif.

CAN ICES-3(B)/NMB-3(B)

The device meets the exemption from the routine evaluation limits in section 2.5 of RSS 102 and compliance with RSS-102 RF exposure, users can obtain Canadian information on RF exposure and compliance.

Le dispositif rencontre l'exemption des limites courantes d'évaluation dans la section 2.5 de RSS 102 et la conformité à l'exposition de RSS-102 rf, utilisateurs peut obtenir l'information canadienne sur l'exposition et la conformité de rf.

This transmitter must not be co-located or operating in conjunction with any other antenna or transmitter. This equipment should be installed and operated with a minimum distance of 20 centimeters between the radiator and your body.

Cet émetteur ne doit pas être Co-placé ou ne fonctionnant en même temps qu'aucune autre antenne ou émetteur. Cet équipement devrait être installé et actionné avec une distance minimum de 20 centimètres entre le radiateur et votre corps.

Technical Data

Operating Frequency:	125kHz
Operating Temperature:	0° C to 40° C
Max Power:	125kHz: <-10dBuA/m at 10m