



Antenna Information

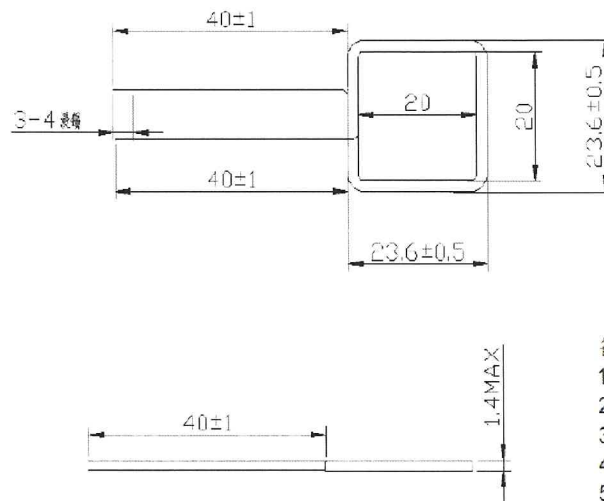
To whom it may concern,

Product name : SmartLock
Model :CamLock, PlungerLock
FCC ID: 2AA2X-15000333
IC: 24439-15000333

The applicable FCC rule part of this product is § 15.231, radiated measurements are used to show compliance with FCC limits for fundamental and spurious emissions.

The Antenna information as below for your reference.

Antenna photo:



备注:

1. 线径: $\varnothing 0.12$
2. 绕线方向: 顺时针
3. 电感: $514 \text{ Uh} \pm 5\%$
4. 测试频率: $100 \text{ kHz} / 1.0 \text{ v}$
5. 所有材料要求符合 ROHS 标准

Antenna transmission frequency: 100 – 300kHz

Antenna type: Coil antenna

Antenna Gain: 0 dBi

Part No.: GY-01

Yours sincerely,

Company Name: Mobile Technologies Inc.

Name: Audy Tse

Title: Manager, DVT and compliance

Email: audy.tse@mtigs.com