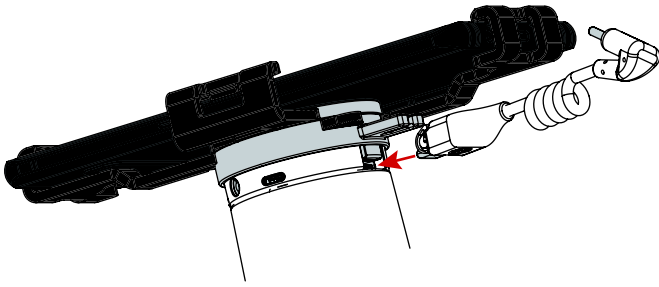


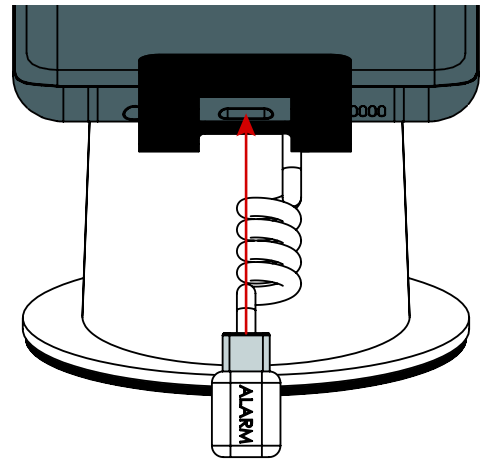
ATTACHING SMARTCABLE™

- 1** Insert SmartCable into the charge port on the puck. The hooks on cable should click when fully seated.



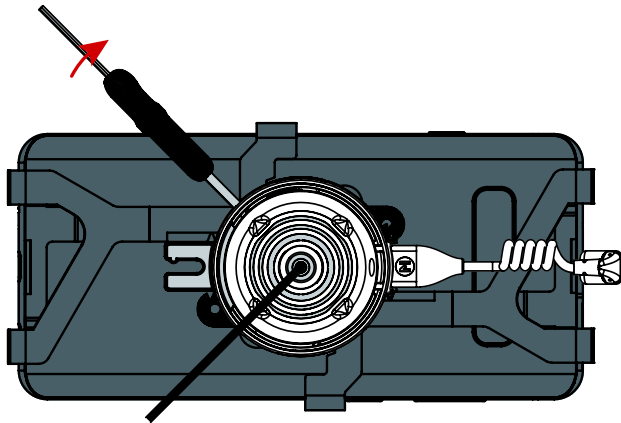
Phone should be turned ON, and unlocked before inserting SmartCable™ while in MTI Connect® mode.

- 2** Plug SmartCable into the charge port of the device.

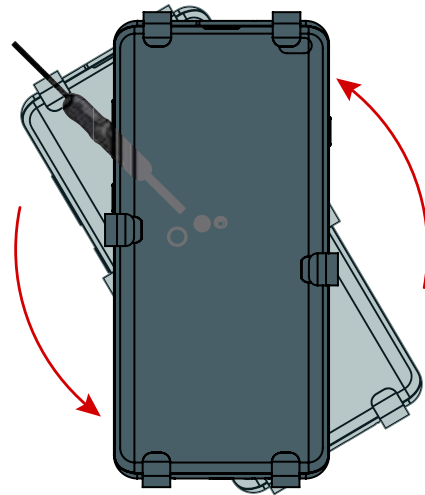


REMOVING SMARTCABLE

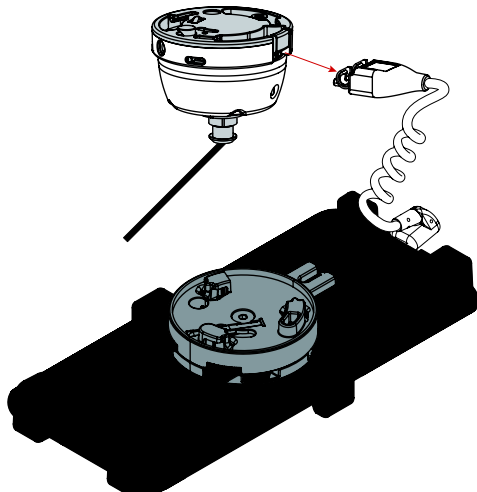
- 1** Insert the crescent end of the Freedom Micro II tool into the opening to the right of the LED. Twist the Freedom Micro II tool clockwise 45 degrees and hold it in place.



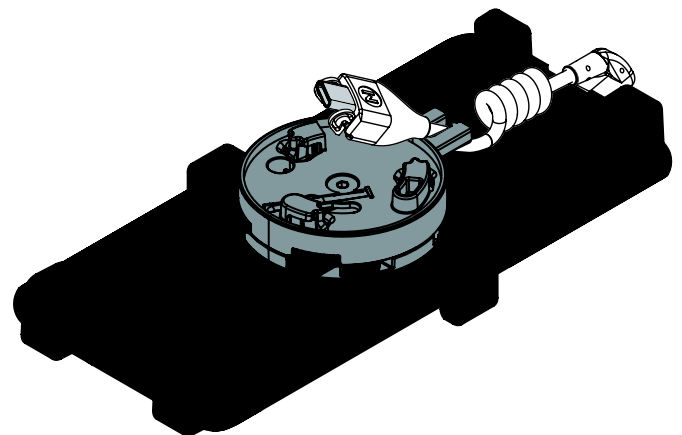
- 2** Twist the device and bracket off of the position.

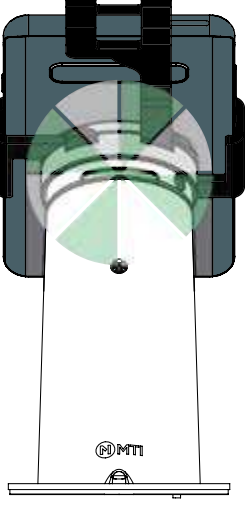
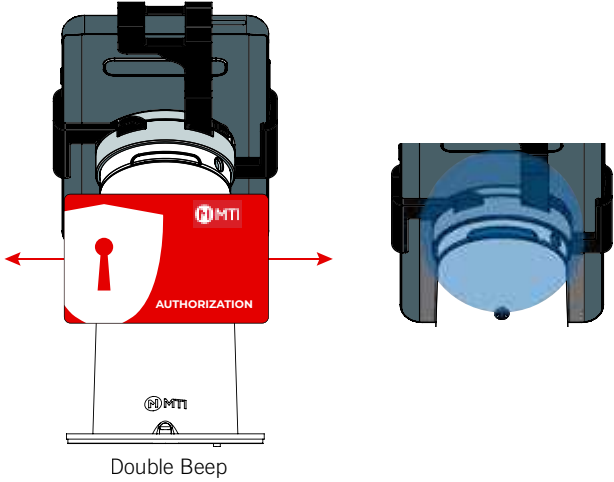
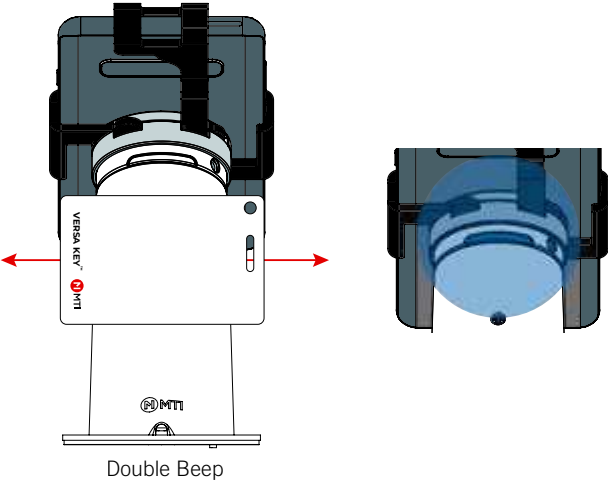
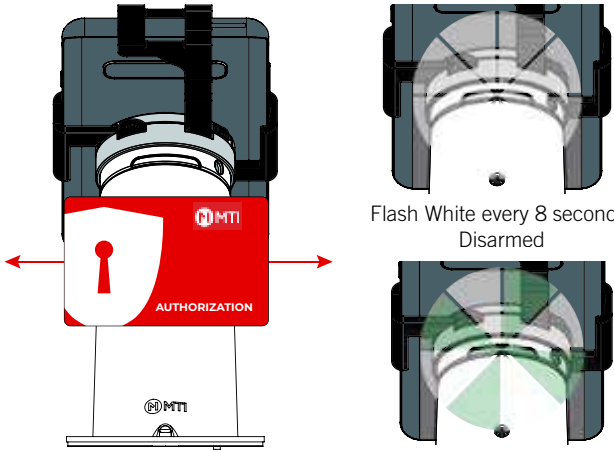
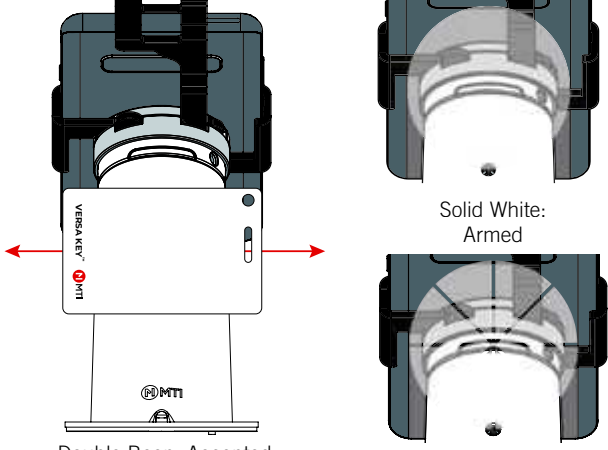
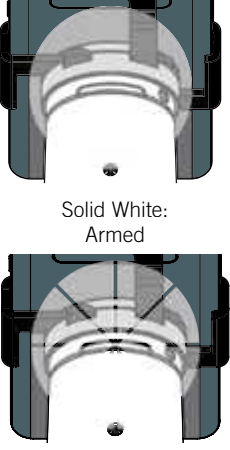
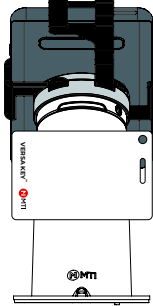
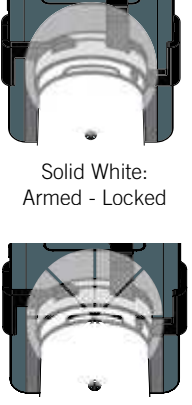


- 3** Remove the SmartCable from the puck.

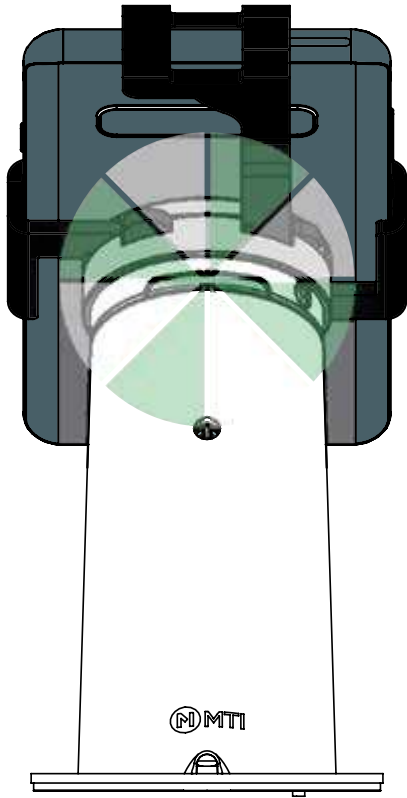


- 4** The loose cable can be clipped into SpeedBracket™ for easy storage.



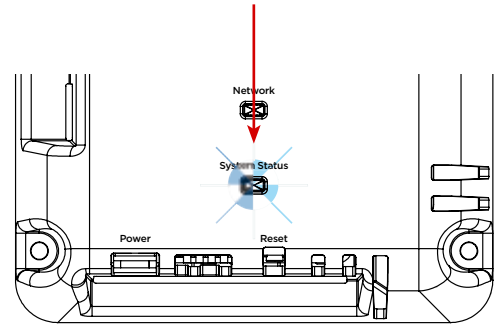
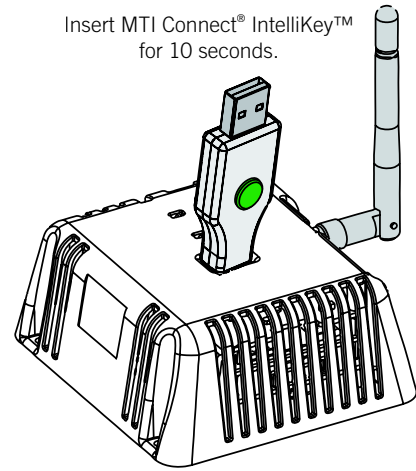
<h3>Default Mode</h3> 	<h3>Enter Standard Mode</h3>  <p>Double Beep</p>
<h3>Program User Card</h3>  <p>Double Beep</p>	<h3>Exit Programming Mode</h3>  <p>Flash White every 8 seconds: Disarmed</p> <p>Auto time out if no user cards are added, reverts to Default mode.</p>
<h3>Arm/Disarm Position</h3>  <p>Double Beep: Accepted Four Fast Beeps: Rejected</p>  <p>Solid White: Armed</p> <p>Flash White every 8 seconds: Disarmed</p>	<h3>Set Lockdown/Unlock While Armed</h3> <p>Tap and Hold Access Card for 10 seconds. It will double beep immediately, and double beep again after 10 seconds. Position will automatically lock down when armed, and unlock when disarmed when in Lockdown mode.</p>  <p>Double Beep: Accepted</p> <p>Four Fast Beeps: Rejected</p>  <p>Solid White: Armed - Locked</p> <p>Flash White Every 8 Seconds: Disarmed - Automatically unlocks</p>

Default Mode

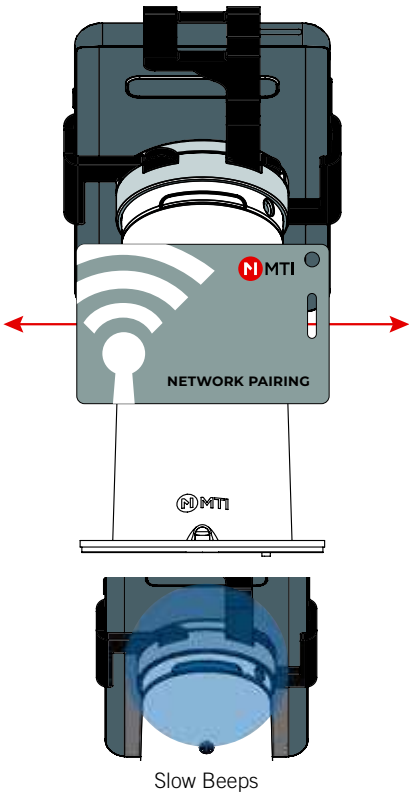


Enable Pairing Mode on MTI Connect Hub

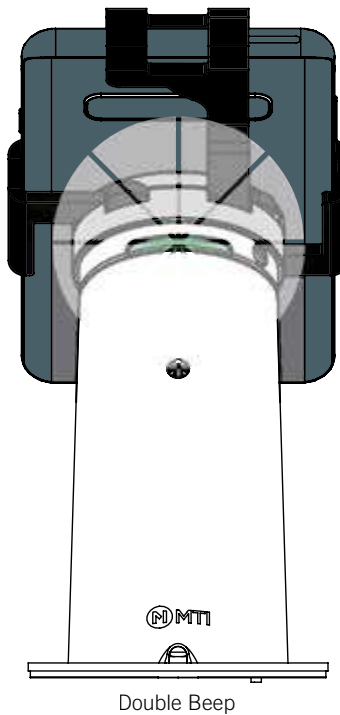
Insert MTI Connect® IntelliKey™ for 10 seconds.



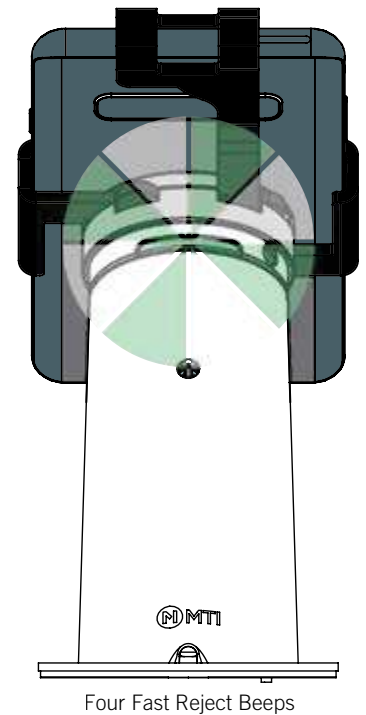
Enter Network Mode

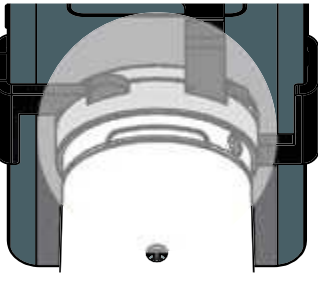
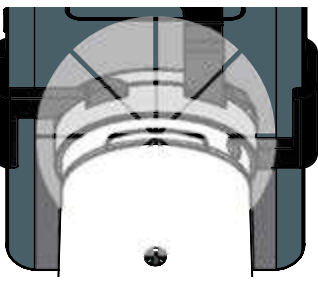
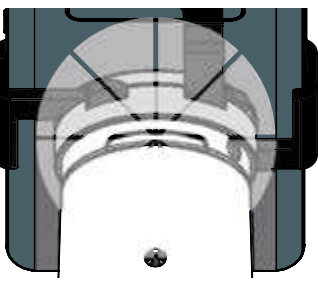
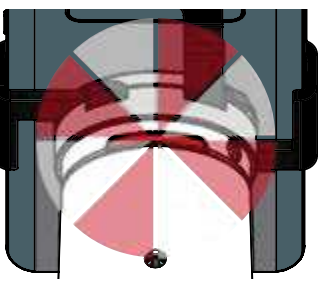
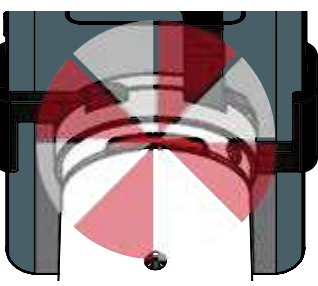
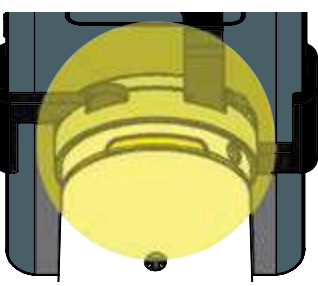


Position connects successfully to mesh network:



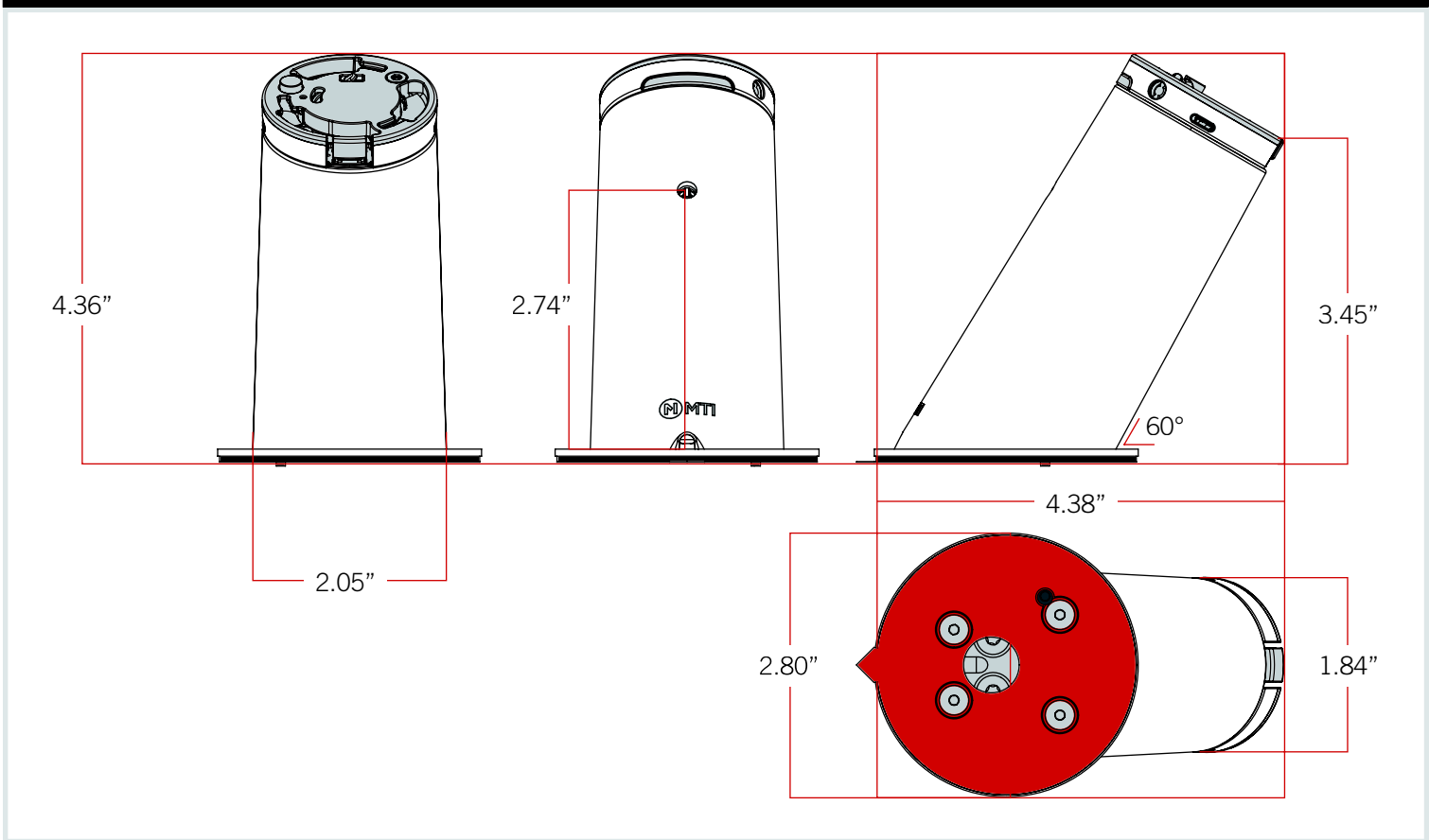
Position fails to connect to mesh network within 3 minutes:



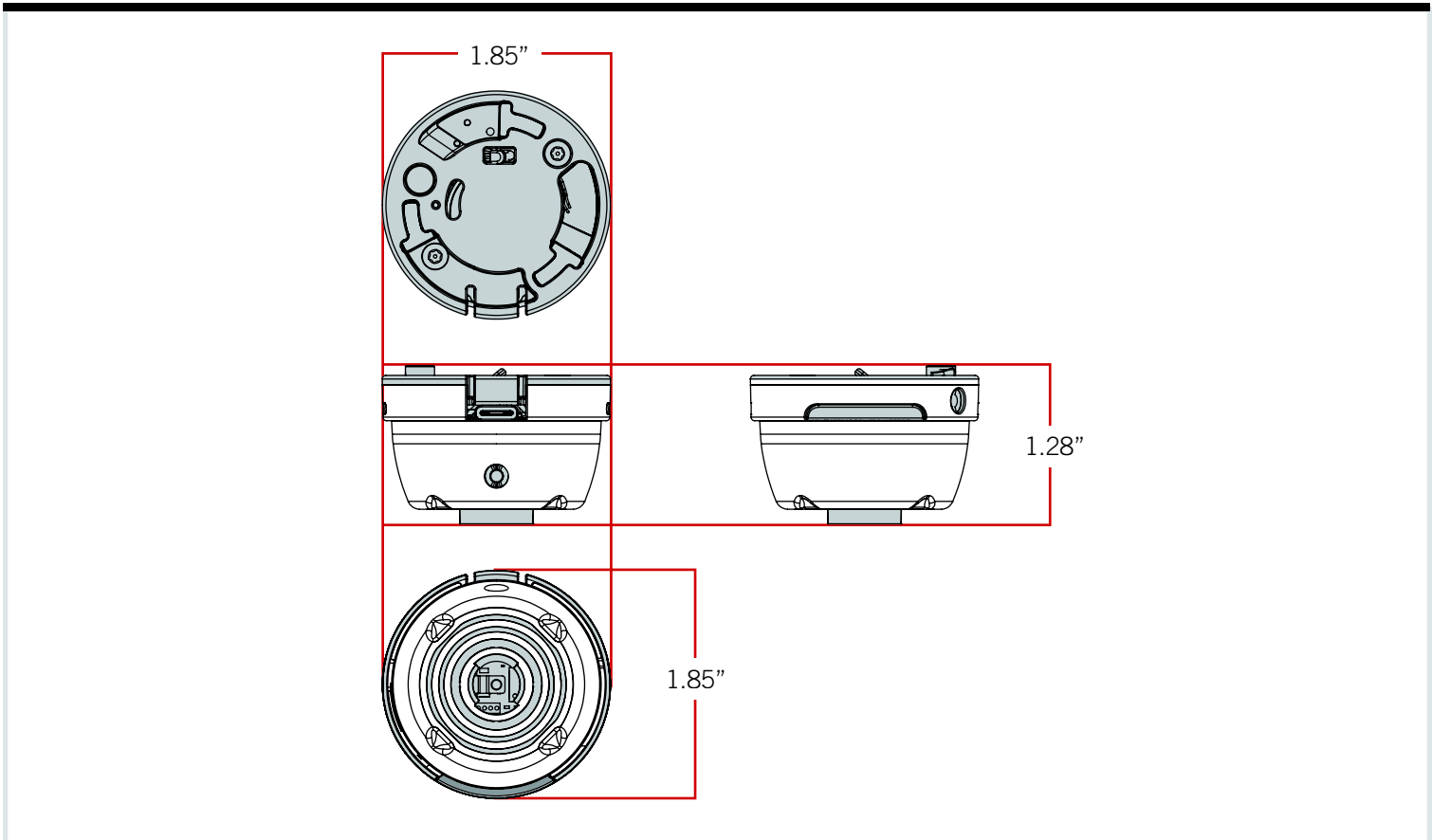
Visual Reference	System Status	Condition
	Solid White	Puck is armed and docked.
	Single white flash every 5 seconds	Puck is armed and lifted.
	Double white flash every 8 seconds	Puck is docked, but not armed, puck is connected to a mesh network.
	Flashing Red and White with audible alarm	Alarm has been triggered. silence the alarm and inspect the tether, puck trigger, and base trigger.
	Flashing Red and White with no audible alarm	Puck is in silent alarm mode. The audible alarm has exceeded 5 minutes and the position is unable re-arm itself. inspect the tether, puck trigger, and base trigger before attempting to arm the puck.
	Solid Yellow	<p>Puck is armed, docked, but has lost it's network connection. Ensure the puck is within range of the MTI Connect® Hub. Try network pairing again.</p> <p>*Only applicable when the puck is being used with the MTI Wireless Network.</p>

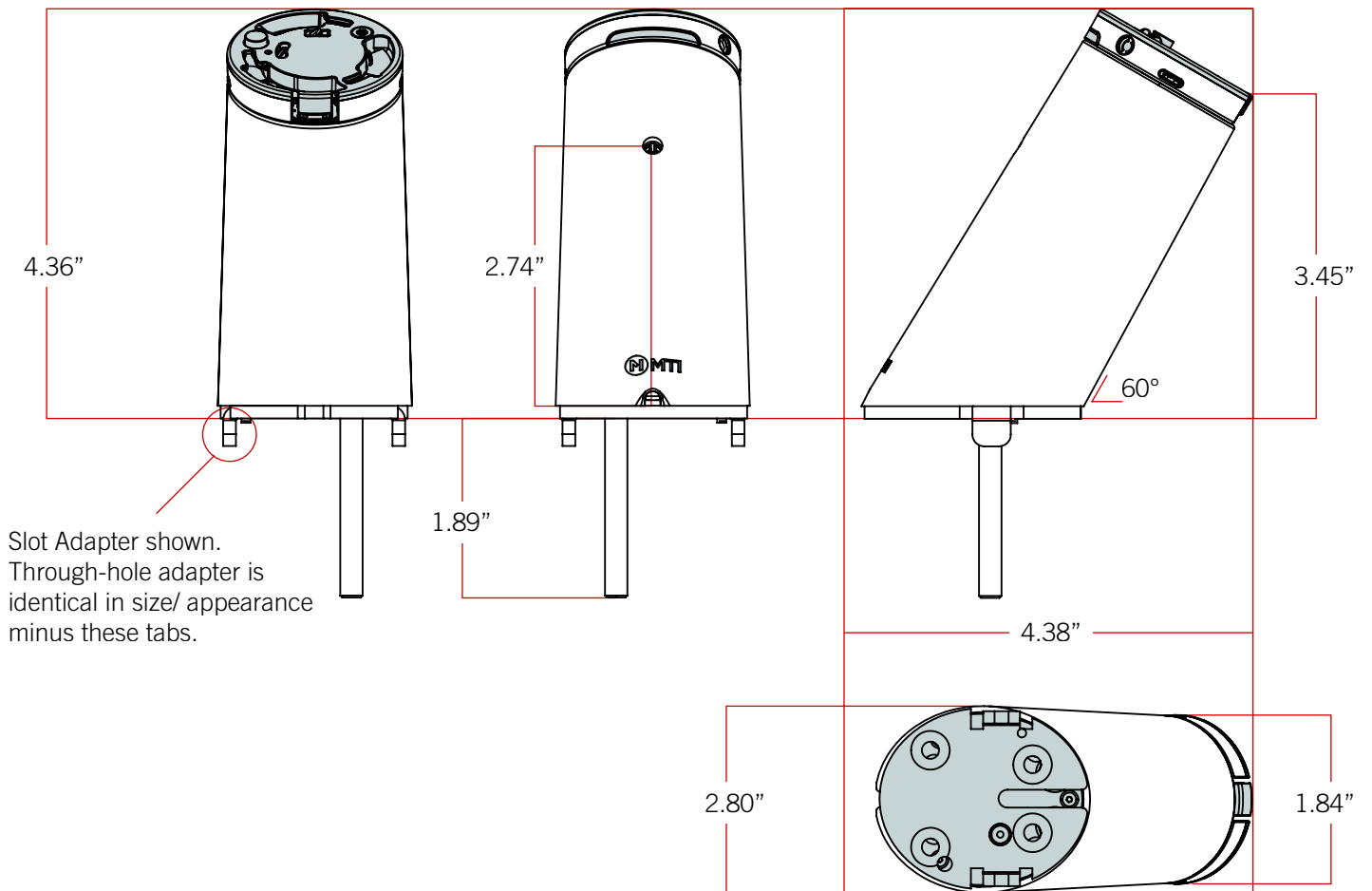
Visual Reference	System Status	Condition
	Flashing Yellow Every 5 Seconds	Puck is armed, lifted, puck is NOT connected to a mesh network. Only applicable in Network Mode.
	Solid Blue	<p>After tapping an authorization card: The puck is in enrollment mode. Tap VersaKey™ to authorize them for use in standard mode. Enrollment mode closes automatically in 3 minutes.</p> <p>In normal use: Overcurrent in charging circuit – most likely a problem in the SmartCable™.</p>
	Flashing Blue	Puck has entered network pairing mode. Stops upon successful pairing, or after 90 seconds.
	Single Red Flash	TO BE VERIFIED: Only follows an attempt to arm the puck. Occurs when the puck cannot arm, for example, due to a released trigger but the user attempts to arm the puck with the app or key.
	Multi-colored flash	Puck has received an “identify” command from a user of the MTI Connect® software.
	Flashing Green	<p>Puck is disarmed in factory default mode. Complete the setup for Standard or Network mode to use VersaKey™ or MTI Connect®.</p> <p>Note: The puck may automatically arm while in this default mode, as long as all triggers are closed for 15 minutes. Once it arms, the LED will turn solid white.</p>

RISER DIMENSIONS



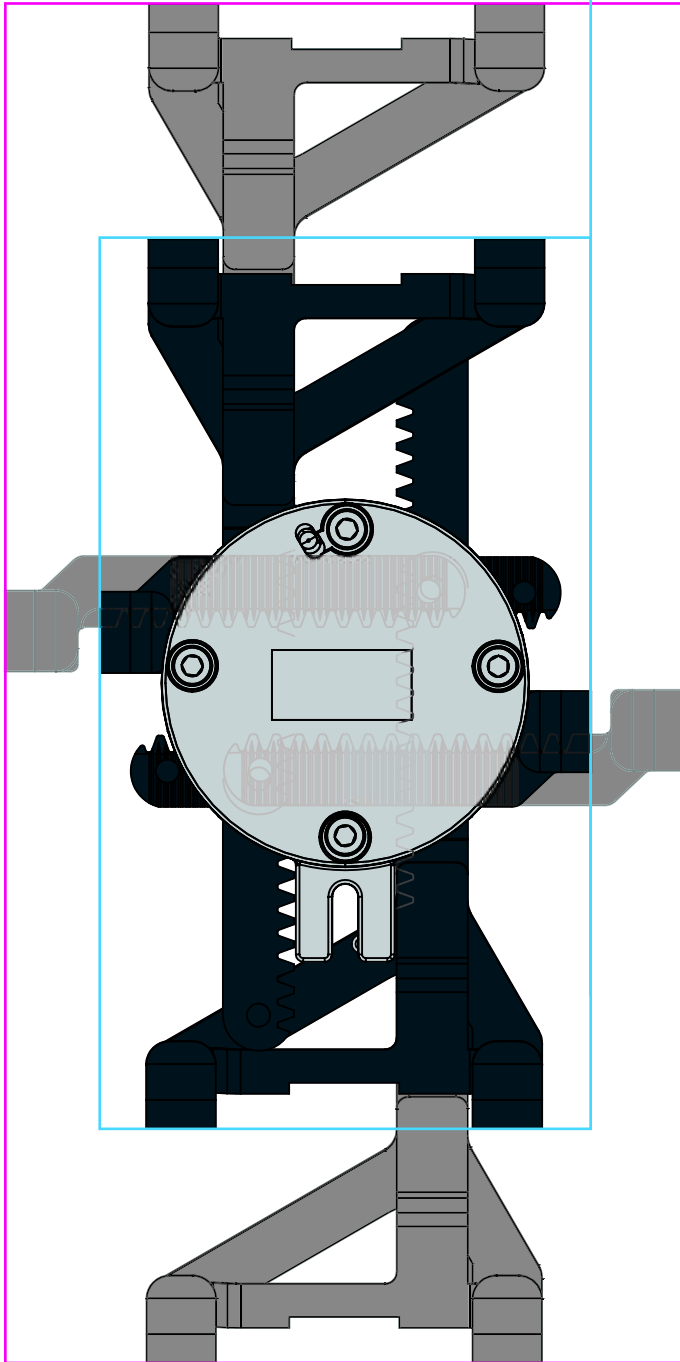
PUCK DIMENSIONS



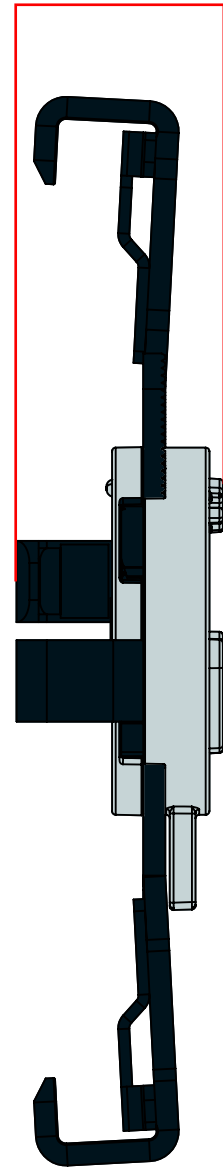


MAXIMUM: 180mm H x 90mm W

MINIMUM: 118mm H x 65mm W



1.11"



Accommodates Phones
7-9mm Thick

FCC ID: 2AA2X-15000282

Model: ROUND FREEDOM MICRO II HS

FCC Statement

This device complies with Part 15 of the FCC Rules.

Caution: If any changes or modifications not expressly approved by the party responsible for compliance could void the user's authority to operate the equipment.

Operation is subject to the following two conditions: (1) This device may not cause harmful interference, and (2) This device must accept any interference received, including interference that may cause undesired operation.

The grantee is not responsible for any changes or modifications not expressly approved by the party responsible for compliance. Such modifications could void the user's authority to operate the equipment.

The RF Exposure Compliance distance is 20 millimeters.

NOTE: This equipment has been tested and found to comply with the limits for a Class B digital device, pursuant to part 15 of the FCC Rules. These limits are designed to provide reasonable protection against harmful interference in a residential installation. This equipment generates, uses and can radiate radio frequency energy and, if not installed and used in accordance with the instructions, may cause harmful interference to radio communications. However, there is no guarantee that interference will not occur in a particular installation. If this equipment does cause harmful interference to radio or television reception, which can be determined by turning the equipment off and on, the user is encouraged to try to correct the interference by one or more of the following measures:

- Reorient or relocate the receiving antenna.
- Increase the separation between the equipment and receiver.
- Connect the equipment into an outlet on a circuit different from that to which the receiver is connected.
- Consult the dealer or an experienced radio/TV technician for help.

ISED Certification Number: 24439-15000282

Model: ROUND FREEDOM MICRO II HS

ISED Statement

This device complies with Innovation, Science and Economic Development Canada licence-exempt RSS standard(s). Operation is subject to the following two conditions: (1) this device may not cause interference, and (2) this device must accept any interference, including interference that may cause undesired operation of the device.

CAN ICES-3(B)/NMB-3(B)

Le présent appareil est conforme aux CNR Innovation, Sciences et Développement économique Canada applicables aux appareils radio exempts de licence. L'exploitation est autorisée aux deux conditions suivantes:

(1) il ne doit pas produire de brouillage et (2) l'utilisateur du dispositif doit être prêt à accepter tout brouillage radioélectrique reçu, même si ce brouillage est susceptible de compromettre le fonctionnement du dispositif.

CAN ICES-3(B)/NMB-3(B)

The device meets the exemption from the routine evaluation limits in section 2.5 of RSS 102 and compliance with RSS-102 RF exposure, users can obtain Canadian information on RF exposure and compliance.

Le dispositif rencontre l'exemption des limites courantes d'évaluation dans la section 2.5 de RSS 102 et la conformité à l'exposition de RSS-102 rf, utilisateurs peut obtenir l'information canadienne sur l'exposition et la conformité de rf.

This transmitter must not be co-located or operating in conjunction with any other antenna or transmitter. This equipment should be installed and operated with a minimum distance of 20 millimeters between the radiator and your body.

Cet émetteur ne doit pas être Co-placé ou ne fonctionnant en même temps qu'aucune autre antenne ou émetteur. Cet équipement devrait être installé et actionné avec une distance minimum de 20 millimètres entre le radiateur et votre corps.

Technical Data

Operating Temperature:	0°C to 40°C
Operating Frequency:	2405 MHz to 2480 MHz
Max Power:	Less than 4 dBm at 2.4 GHz

Operating Frequency:	125kHz
Max Power:	Less than 20 dBuA/m at 3m

Additional Safety Information

1. For indoor use only. The apparatus shall not be exposed to water.
2. No user replaceable parts inside; refer servicing to manufacturer or qualified service personnel.
3. Only use accessories specified by the manufacturer.
4. Do not expose to excessive heat sources.

Disposal: All electrical and electronic products including batteries should be disposed of separately from the municipal waste stream via designated collection facilities appointed by the government or the local authorities.



This product contains a rechargeable battery. Proper storage, use, and disposal of the battery is important. Please refer to the guidelines below:

- i. Properly dispose of the battery; Do not dispose of the battery into a furnace/oven or into a fire or mechanically crush or cut the battery, as this could cause the battery to explode.
- ii. Storing the battery in an environment at higher temperatures than stated above can result in explosion or leaking of flammable liquid or gas.
- iii. Subjecting a battery to very low air pressure or high altitudes can result in explosion or leaking of flammable liquid or gas.