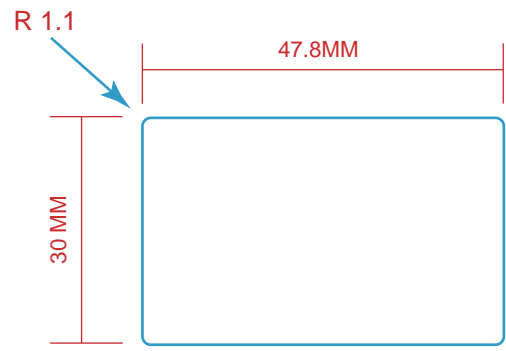
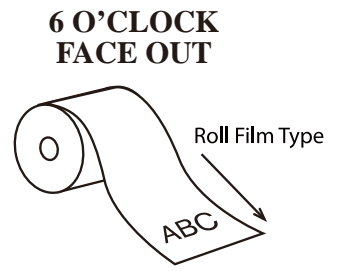
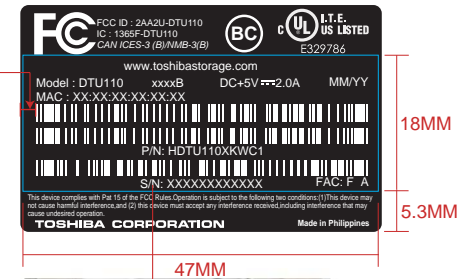
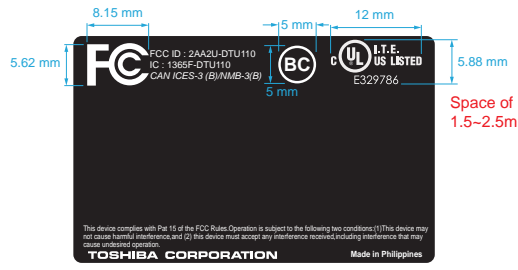
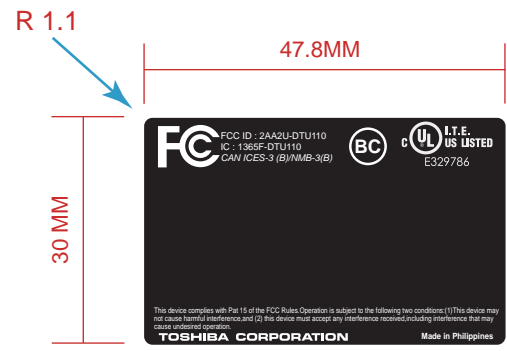


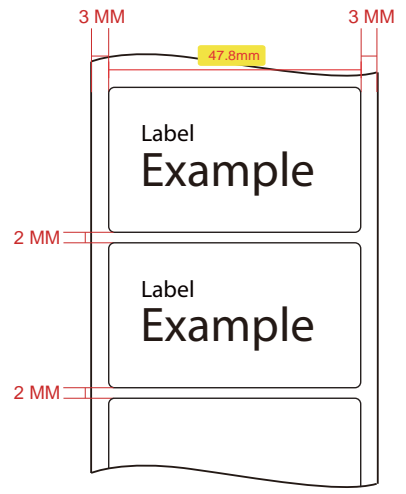
REVISIONS			
REV	DESCRIPTION	SIGNATURE AND DATE	
		CHK	ENGR



1:1 Die Cut



1:1 Artwork



Pull-in way from vendor

SPEC: 47.8X30MM R1.1X4, 0.08T,1C-Black, Plastic Fasson_50micron WhitePET TC/S333/BG50#WH Ovprlamimapion_25micron Glossy Glear Polyester RIBBON:White for UL certification

UL certification:
1) supplier, 2) product number, 3) UL certification number Ink (ribbon)

底材:白色PET / 印一色黑 / 覆膜: 透明PET / 白色碳带

MDL	PART NO.	RMK	SCALE	1:1	UNIT	mm	SIGNATURE	DATE	Cal-Comp ELECTRONICS, INC. TITLE WH3A8(WIFI HDD) PRODUCT LABEL(TAIS)
			TOL.	x	.x	ANGL	DESIGN	2014	
				+/- 0.2			DRAW:	7/02	
			MATERIAL:				CHECK:	2014	
			FIRST APPLICATION					7/02	
			NEXT ASSY	MDL NO.	FINISH:		SIZE		
							A4	SHEET 1 OF 1	DRAWING NO.
									HGWH3A84B02
									REV.
									00