



FRIDGE FREEZER

REMOTE DISPLAY



USER GUIDE

This wireless device complies with international standards:

FCC

1. FCC Caution:

"Changes or modifications not expressly approved by the part responsible for compliance could void the user's authority to operate the equipment."

2. FCC Statement:

"This equipment has been tested and found to comply with the limits for a Class B digital device, pursuant to part 15 of the FCC Rules. These limits are designed to provide reasonable protection against harmful interference in a residential installation. This equipment generates, uses and can radiate radio frequency energy and, if not installed and used in accordance with the instructions, may cause harmful interference to radio communications. However, there is no guarantee that interference will not occur in a particular installation. If this equipment does cause harmful interference to radio or television reception, which can be determined by turning the equipment off and on, the user is encouraged to try to correct the interference by one or more of the following measures:

- Reorient or relocate the receiving antenna.
- Increase the separation between the equipment and receiver.
- Connect the equipment into an outlet on a circuit different from that to which the receiver is connected.
- Consult the dealer or an experienced radio/TV technician for help."

IC

RSS-Gen & RSS-247 statement:

"This device complies with Industry Canada licence-exempt RSS standard(s).

Operation is subject to the following two conditions: (1) this device may not cause interference, and (2) this device must accept any interference, including interference that may cause undesired operation of the device. Le présent appareil est conforme aux CNR d'Industrie Canada applicables aux appareils radio exempts de licence. L'exploitation est autorisée aux deux conditions suivantes : (1) l'appareil ne doit pas produire de brouillage, et (2) l'utilisateur de l'appareil doit accepter tout brouillage radioélectrique subi, même si le brouillage est susceptible d'en compromettre le fonctionnement."

RSS-247 Statement:

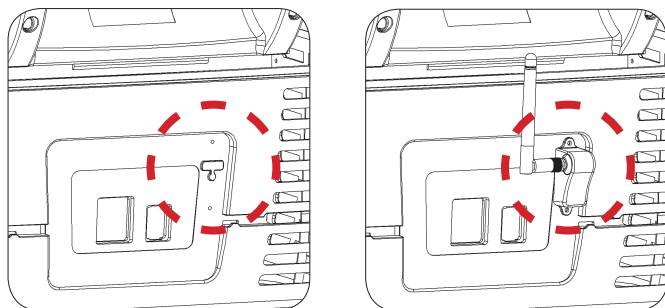
"This equipment complies with Industry Canada radiation exposure limits set forth for an uncontrolled environment.

Cet équipement est conforme à l'exposition aux rayonnements Industry Canada limites établies pour un environnement non contrôlé."

This innovative and compact remote display enables you to monitor up to two ARB fridges from the driving position of your vehicle. The ARB remote display has the ability to receive information from two separate ARB fridges and display the data one fridge at a time.

Additionally, to ensure that the signal is uninterrupted there are four separate channels to transmit the signal. A special self-adhesive, swivel mounting bracket is included to enable you to adhere the display in a preferred location within your vehicle.

Your ARB Fridge must be compatible with the remote display. To confirm compatibility, there will be a 'T' shaped receptacle on the back of the fridge near the DC socket to mount the wireless transmitter (as shown).



CONTENTS

1x Remote Display	1 x Mounting bracket	1 x Aerial	1 x Alcohol Swab
1 x DC power lead 1.8m fused	1 x Sender unit	2 x screws	

SPECIFICATIONS

ARB part number - 10900026

Input Voltage - 12/24 VDC (min 9V, max 31.5V)

Power Consumption - 25mA (38mA with backlight)

Signal Range - 15 metres (semi-enclosed environment e.g. camper trailer)

DC plug - Fuse: 1A F4L 240V (M205)

LCD display - Blue backlight during power-up or as selected.

Duration 10 seconds

Maximum screw torque 0.9 Nm/0.7ftlb

Number of ARB fridge temperatures to monitor = 2

Number of ARB fridge voltage readings to monitor = 2

Number of wireless signal transmission channel frequencies to select = 4

The remote display and sender unit are not waterproof; keep these parts in a dry location away from water.

Weight - 82g/2.9oz

FUNCTION

POWER LED:

Displays the status of the fridge compressor.

Green = compressor ON,
Orange = compressor in standby mode.

POWER

CHECK

CHECK LED:

Displays the status of the ARB fridge.

No light - Fridge is operating correctly
Red flashing light - Fridge requires checking. Refer to owners manual for diagnostic check

Wireless signal transmission channel

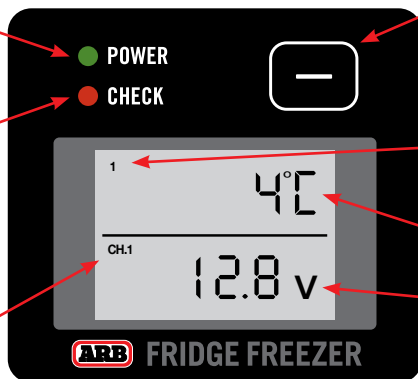
MODE Button:

Allows the selection of functions within the display.

Display readout for Fridge 1

Temperature readout of Fridge 1

Voltage display of Fridge 1



INSTALLATION

Display - Select a suitable location for the remote display. The pressure sensitive adhesive on the mount bracket is designed for hard surfaces e.g. windscreen, plastic console.

Prepare the mounting surface with the supplied alcohol swab and wait until the surface dries.

Orientate the mount bracket to the desired position, remove the adhesive backing paper and firmly press the bracket onto the hard surface. Maintain pressure on the adhesive area for at least 30 seconds.

- Clip in the remote display.
- Insert the DC power cord to the remote display and a suitable DC power outlet.
- Remove the clear / thin protective film on the front of the display.

Sender Unit - Remove the rubber plug from the rear of your ARB fridge to expose the socket. Plug the wired connector of the sender unit into this socket.

Affix sender unit with 2 screws (supplied)

Operation - Factory default setting: the display will revert to the last display setting when power is applied to the unit. The factory setting is with the display OFF.

When the display is ON the data in the upper section will show the Fridge temperature and Fridge number. In the lower section will be the corresponding DC Voltage or "AC" symbol and signal transmission channel.

Switch the display ON/OFF

To turn the display ON push and hold MODE for 1 second.

Note: whenever MODE is pushed, the Blue backlight will remain ON for 10 seconds

To turn the display OFF, push and hold MODE for 7 seconds.

Turn the backlight ON

Push and hold MODE for 1 second. The Blue backlight will illuminate for 10 seconds and then automatically turn OFF.

Select the transmission channel of the fridge

Press the FUNCTION button on your ARB fridge. Toggle through the options until CH1 appears. Change the channel by using the + or - button on the fridge touch pad.

Select the transmission channel of the display

Press and hold MODE for 3 seconds until the CH# flashes, within 3 seconds press MODE again to toggle through the available channels. When the selected channel flashes for 3 seconds the selected channel will be set. The display will show information from an ARB fridge in the same proximity that is transmitting on the same channel (CH1, CH2, CH3 or CH4).

View the temperature of a second Fridge

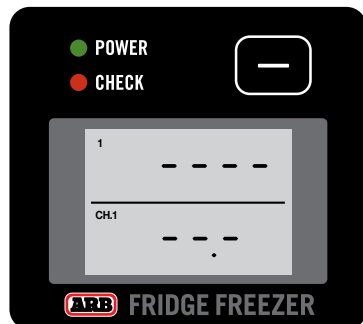
Press and hold MODE for 1 second until the fridge number flashes, within 3 seconds press the MODE button again to toggle to the second fridge. The selected fridge number will flash for 3 seconds and then display the information for the fridge. Repeat procedure to revert to the original fridge.

Changing the temperature from Celsius to Fahrenheit

The remote display uses the temperature settings from the ARB fridge. Refer to the fridge instructions on how to change between °C and °F.

If the transmission signal is interrupted or if the incorrect fridge or channel is selected, the display will appear as shown:-

NOTE: Both the ARB fridge and the remote display must be set to the same channel for information to be displayed.



ARB PRODUCTS WARRANTY AGAINST DEFECTS

ARB warrants the ARB Products against defects in workmanship and materials for the Warranty Period. If defective workmanship or materials become apparent in the Warranty Period, ARB will replace or repair the defective Product.

The benefits to the customer given by this warranty are in addition to other rights and remedies of the customer under a law in relation to the goods or services to which the warranty relates.

1) In this warranty:

- **ARB** means ARB Corporation Limited (ABN 31 006 708 756) of 42-44 Garden St, Kilsyth Victoria 3137
- **ARB Outlet** means an outlet which has been authorised by ARB to sell and fit ARB Products
- **ARB Product** means products which ARB manufactures or for which ARB is the exclusive supplier
- **Product Information** means the information about the relevant ARB Product which may be contained in any of: documentation provided with the ARB Product, owner's manual, operating manual, service manual or the manufacturer's manual or labels attached to the ARB Product
- **Warranty Period** means, in respect of an ARB Product, means the period that this warranty against defects applies and which is set out in paragraph 8.

2) To be entitled to claim the warranty, the customer must:

- a) have the ARB Product fitted in accordance with the Product Information
- b) carry out normal care and maintenance of the ARB Product, including any required by the Product Information
- c) provide proof of purchase of the ARB Product
- d) make the claim in the Warranty Period.

3) The warranty will not apply in circumstances where the defect is caused by:

- a) unusual, improper or negligent use or misuse of the ARB Product
- b) incorrect fitting of the ARB Product other than at an ARB Outlet
- c) loading the ARB Product with weights in excess of Product Information
- d) use of non-genuine ARB components in or with the ARB Product
- e) use on vehicles with modifications not approved in the Product Information or at an ARB Outlet at the time of fitting
- f) caused by racing or competition use
- g) use of the ARB Product outside of the requirements of the Product Information.

4) The procedure for the customer to claim the warranty is:

- a) return the ARB Product to the nearest ARB Outlet or contact ARB to arrange a time to bring a vehicle fitted with the ARB Product to an ARB Outlet for inspection. Contact details are in paragraph 7 below if further information is required regarding local outlet details
- b) bring proof of purchase of the ARB Product to the ARB Outlet
- c) ARB will review the ARB Product and advise whether the conditions of this warranty have been met

5) Where ARB accepts a customer's warranty claim, ARB will rectify any defective workmanship or materials at its own expense.

6) Expenses incurred by the customer in claiming the warranty are to be borne by the customer.

7) This warranty is given by: ARB Corporation Limited
42-44 Garden Street Kilsyth VIC 3137, Australia
Phone: 03 9761 6622
Fax: 03 9721 9090
www.arb.com.au

8) The period within which a defect in the ARB Products must appear if the customer is to be entitled to claim the warranty is 3 years starting on the date of purchase unless:

The ARB Product is used in Commercial use. Commercial use means use in industry or commerce including (without limitation) use in the mining industry or as a hire vehicle. In this case, the Warranty Period is 1 year

9) The warranty against defects contained in this document replaces any other warranty against defects or voluntary warranty given in relation to the Products.

Our goods come with guarantees that cannot be excluded under the Australian Consumer Law. You are entitled to a replacement or refund for a major failure and compensation for any other reasonably foreseeable loss or damage. You are also entitled to have the goods repaired or replaced if the goods fail to be of acceptable quality and the failure does not amount to a major failure.