

| SIGN | DATE | DESCRIPTION | APPROVER |
|------|------|-------------|----------|
| △ | | | |
| △ | | | |
| △ | | | |

| 4 | SMA194-CCT5AN19 | SMA Male Reverse | ABS | | 1 |
|-----|-----------------|------------------|----------|--------|------|
| 3 | AN03-T07B | Body1 | PA+ABS | Black | 1 |
| 2 | AN9201-07B | Body2 | ABS | Black | 1 |
| 1 | AN9201-04B | Body1 | TPE | Black | 1 |
| No. | Part Number | Description | Material | Finish | Q'ty |

東莞脉讯电子有限公司

| | | | | |
|----------------------------|--------------------|------------------|----------------------------|-------------------------|
| TITLE:2.4G 5G 5.8G Antenna | | | | |
| PART NO.: AN2450-0195Z | | | DWG NAME: AN2450-0195Z.dwg | |
| APPROVED BY | CHECKED BY | DESIGNED BY | | Tolerance |
| jeff 2011-06-17 | leon 2011-06-17 | YD 2011-06-17 | UNITS: mm | YD YD YD YD YD YD |
| | | | SCALE: 1/1 | |
| | | | REVISION: A | |

电性测试报告

Test Reports

Sample Photo



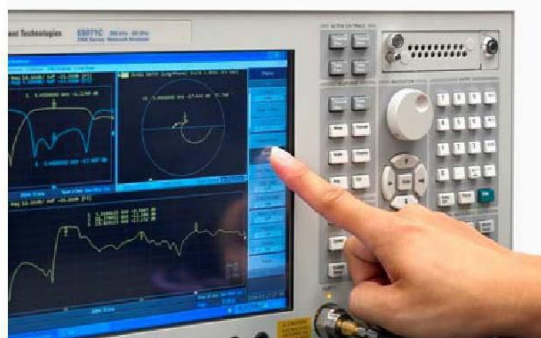
A. Electrical Characteristics

| | |
|--|--|
| Frequency | 2400 ~ 2500 MHz 4900 ~ 5900 MHz |
| S.W.R. | ≤ 2.5 |
| Antenna Gain | $5.0 \pm 0.7\text{dBi}$ |
| Polarization | Linear |
| Impedance | 50 Ohm |
| B. Material & Mechanical Characteristics | |
| Material of Radiator | CU |
| Material of Plastic | Body: TPE Hinge: PA+ABS Holder: PA + ABS |
| Cable Type | RG-178 |
| Connector Type | SMA Male Reverse |
| Connector Pull Test | $\geq 5\text{ Kg}$ |
| Connector Torque Test | 200 ~ 500 g.cm |
| C. Environmental | |
| Operation Temperature | - 40 °C ~ + 65 °C |
| Storage Temperature | - 40 °C ~ + 80 °C |

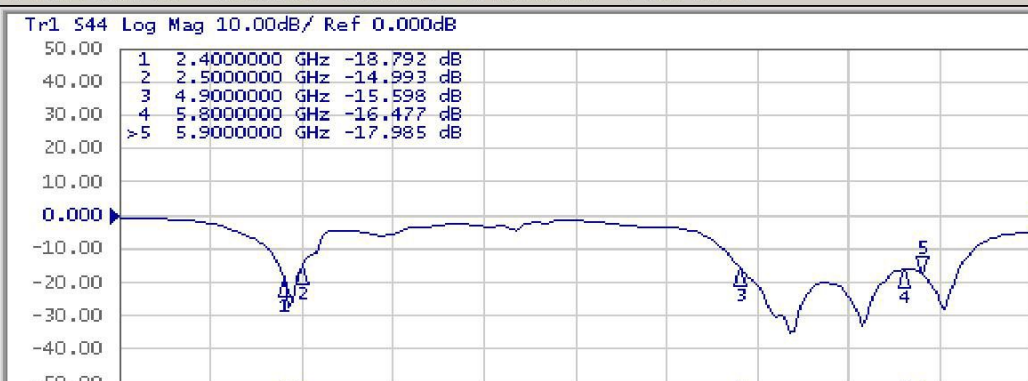
S 参数测试

S Parameter Test

Agilent E5071C



1 Active Ch/Trace 2 Response 3 Stimulus 4 Mkr/Analysis 5 Instr State



1 Start 1.5 GHz IFBW 70 kHz Stop 6.5 GHz Off

Trigger

Hold

Single

Continuous

Hold All Channels

Continuous Disp Channels

Trigger Source Internal

Trigger Event On Sweep

Restart

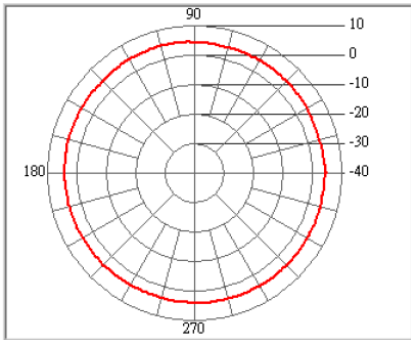
Trigger

Product Name: Antenna

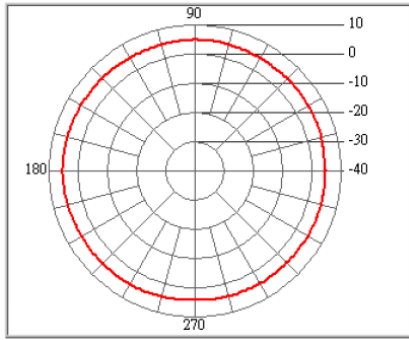
Antenna - Radiation Pattern Test Data

XY-PLANE

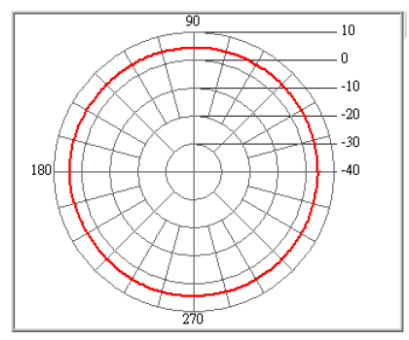
2400 MHz



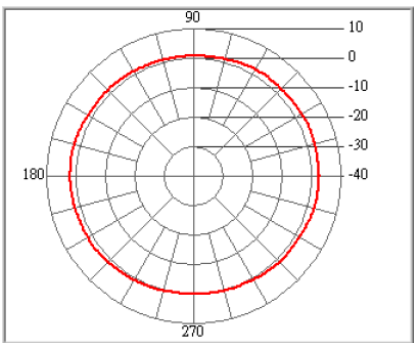
2450 MHz



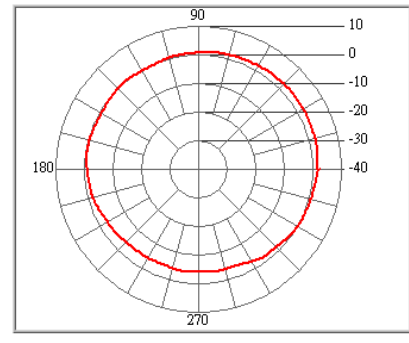
2500 MHz



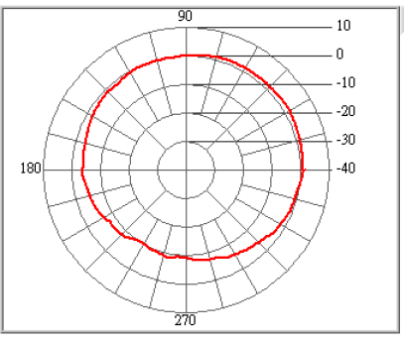
5000 MHz



5500 MHz



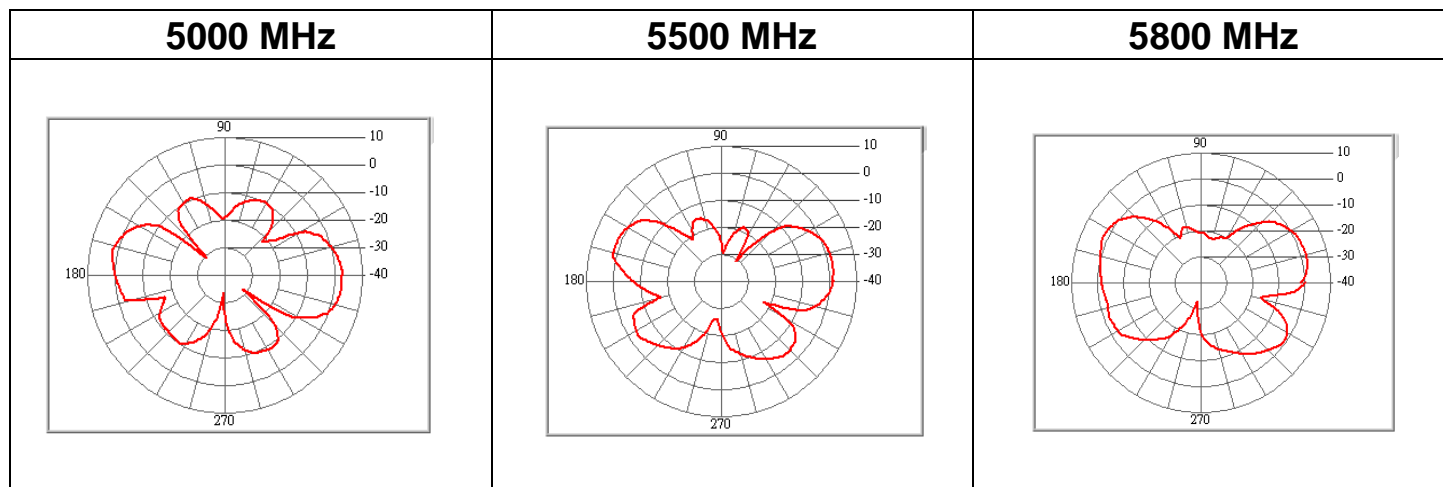
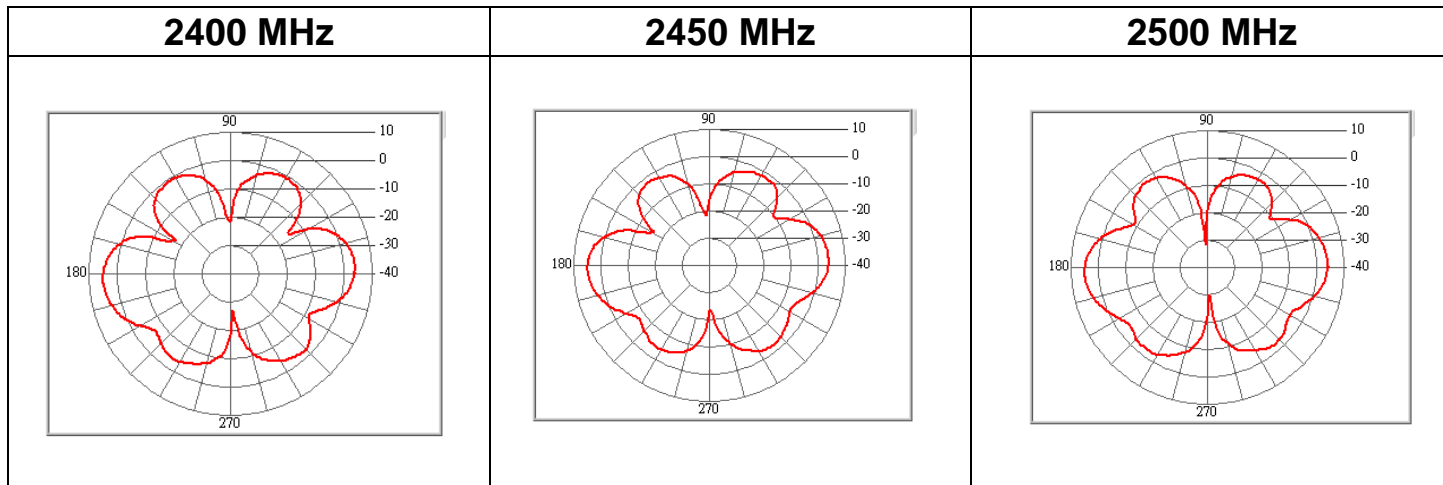
5800 MHz



Product Name: Antenna

Antenna - Radiation Pattern Test Data

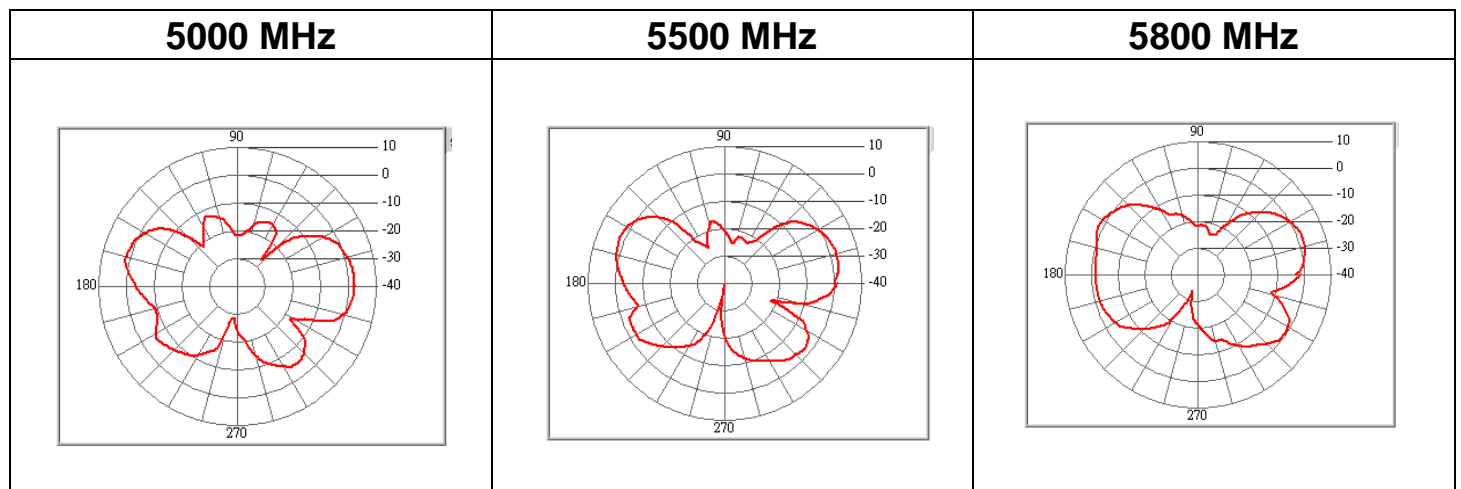
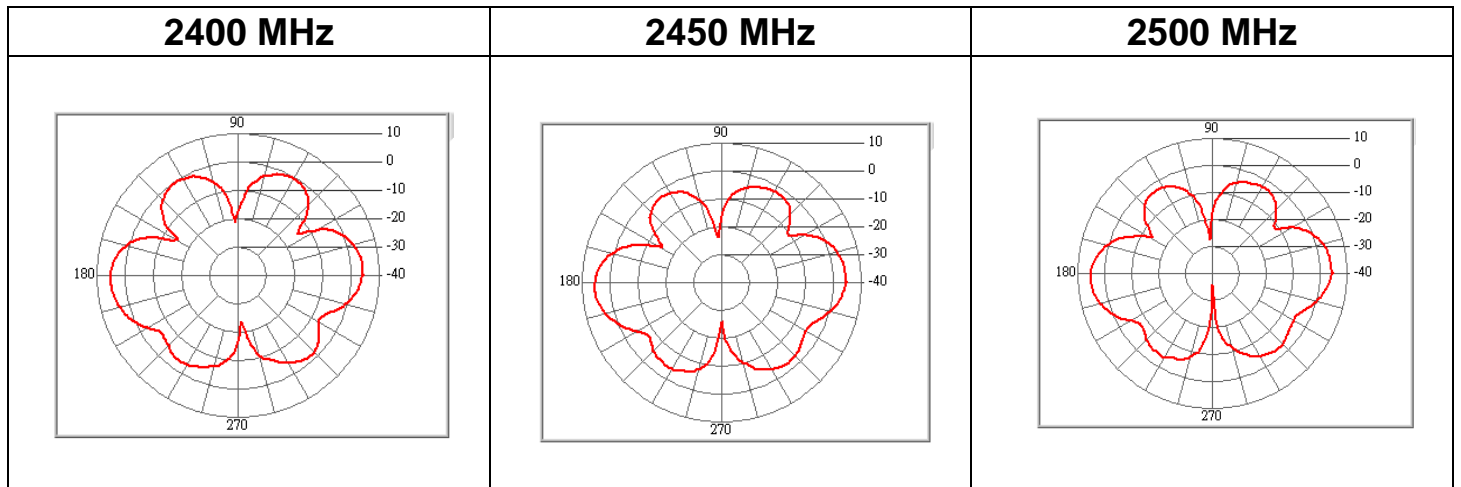
XZ-PLANE



Product Name: Antenna

Antenna - Radiation Pattern Test Data

YZ-PLANE



| Frequency | 2400 | 2450 | 2500 | 5000 | 5500 | 5800 |
|----------------|------|------|------|------|------|------|
| Peak Gain(dbi) | 4.69 | 5.29 | 4.63 | 3.04 | 2.34 | 2.27 |