

43 inch Outdoor Portable TV Display YXD43S-DU

NEW



IP6



30 Hours



Android



Wifi



Spot



1500nits



Loc



Anti-uv



PnP Plug and

Fully Portable

Foldable design with two big stable wheels making the display at anywhere at any time



Lock

Special Lock making secure and easy maintain.



Features

IP65

The new IP65 outdoor enclosure design will keep the screen and the Inside components more secure for all kinds of the extreme weather



Protection from the weather!



Long Run

More than 24 hours indoor running will keep the more valuable for the commercial display



30 hours

1500nits IPS

450 nits-15000 nits range making the display can be readable even Facing the Sunlight



Conventional Signage Display



Outdoor Digital/Android/Battery/A-Boards



Plug and play (Cloud-XDS)

(MPG, AVI, MP4, RM, RMVB, TS), (MP3, WMA), (JPG, GIF, BMP, PNG),



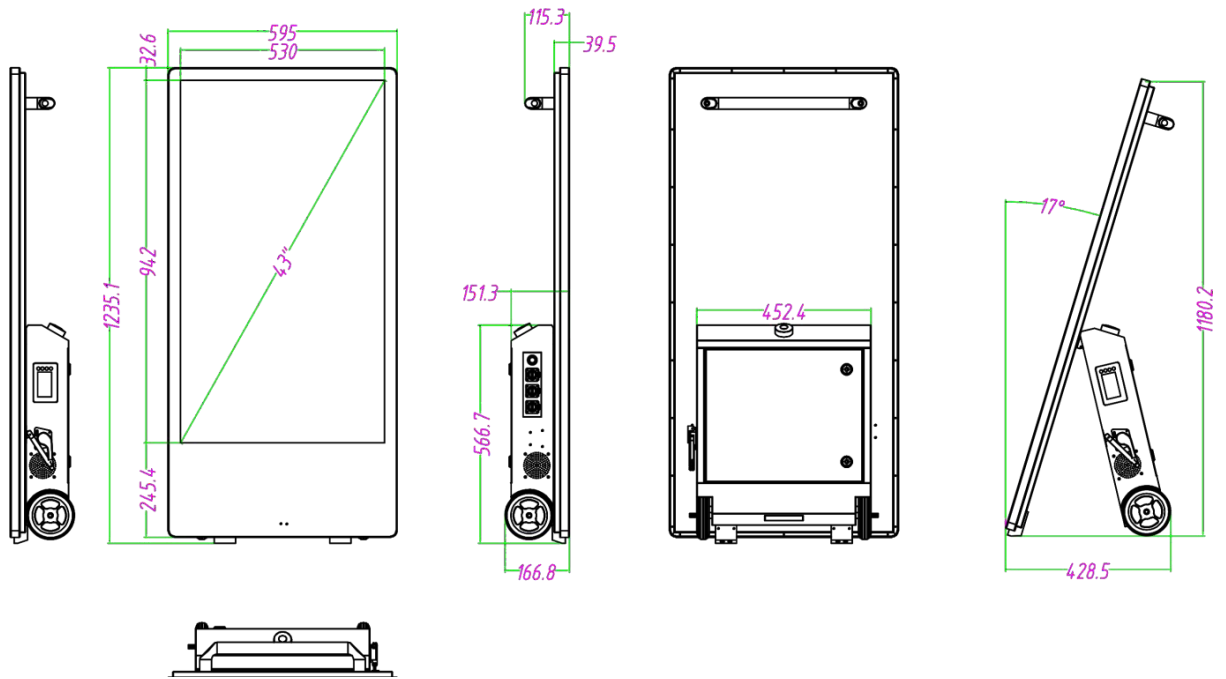
Power

Liquid panel displays the real time dump energy



Aluminum alloy frame with Metal Water proof enclosure





Item	43 inch	
Screen	Resolutions	1920x1080(FHD)
	Visible Area (mm)	940.896(H)x 529.254(V)
	Ratio	16:9
	Brightness (cd/m ²)	1500
	Color	16.7M
	Visible angle	178°
	Contrast	4000:1
System	Media	Video (MPG, AVI, MP4, RM, RMVB, TS), Audio (MP3, WMA), Image(JPG, GIF, BMP, PNG)
	Output	1080x1920 ;
	CPU	Quad-core Corte-A17 1.8GHZ
	GPU	Mali-T764
	RAM	2GB DDR4
	ROM	16GB NAND
	USB	USB2.0 HOST (x2)
	LAN	10/100M Ethernet
	Wi-Fi	802.1 1b/g/n
	System	Android 7.1
	Speaker	8Ω 5W x2
Battery	Battery	Polymer lithium
	Charging	7 hours
	Duration	Indoor 30 hours (400nits) ; Outdoor 8hours (1500nits)
	Capacity	43000mAh
	Voltage	25.2V
	Power	110W
	Energy Efficiency	1088.54Wh

Size	Product (WxHxD mm)	1235.1x595x151.3	
	Package(WxHxDmm)	1335x700x300	
	Net(kg)	43	
	Gross (kg)	51	
Operation	Use	-20 °C to 70 °C	Up to 105°C
	Storage	-30 °C to 80 °C	
	Humidity-use	10% to 80%	
	Humidity--Storage	5% to 95%	
Accessories	Including	Remote, Manual , Power adapter	



NEW



Home page link: <https://www.asianda.cn/productshow/43-inch-outdoor-portable-display-with-battery-design>

FCC Warning

This device complies with part 15 of the FCC rules. Operation is subject to the following two conditions: (1) this device may not cause harmful interference, and (2) this device must accept any interference received, including interference that may cause undesired operation.

Changes or modifications not expressly approved by the party responsible for compliance could void the user's authority to operate the equipment.

NOTE: This equipment has been tested and found to comply with the limits for a Class B digital device, pursuant to part 15 of the FCC Rules. These limits are designed to provide reasonable protection against harmful interference in a residential installation. This equipment generates uses and can radiate radio frequency energy and, if not installed and used in accordance with the instructions, may cause harmful interference to radio communications. However, there is no guarantee that interference will not occur in a particular installation. If this equipment does cause harmful interference to radio or television reception, which can be determined by turning the equipment off and on, the user is encouraged to try to correct the interference by one or more of the following measures:

-Reorient or relocate the receiving antenna.

•Increase the separation between the equipment and receiver.

•Connect the equipment into an outlet on a circuit different from that to which the receiver is connected.

•Consult the dealer or an experienced radio/TV technician for help.

Radiation Exposure Statement

This equipment complies with FCC radiation exposure limits set forth for an uncontrolled environment. This equipment should be installed and operated with minimum distance 20cm between the radiator and your body.