



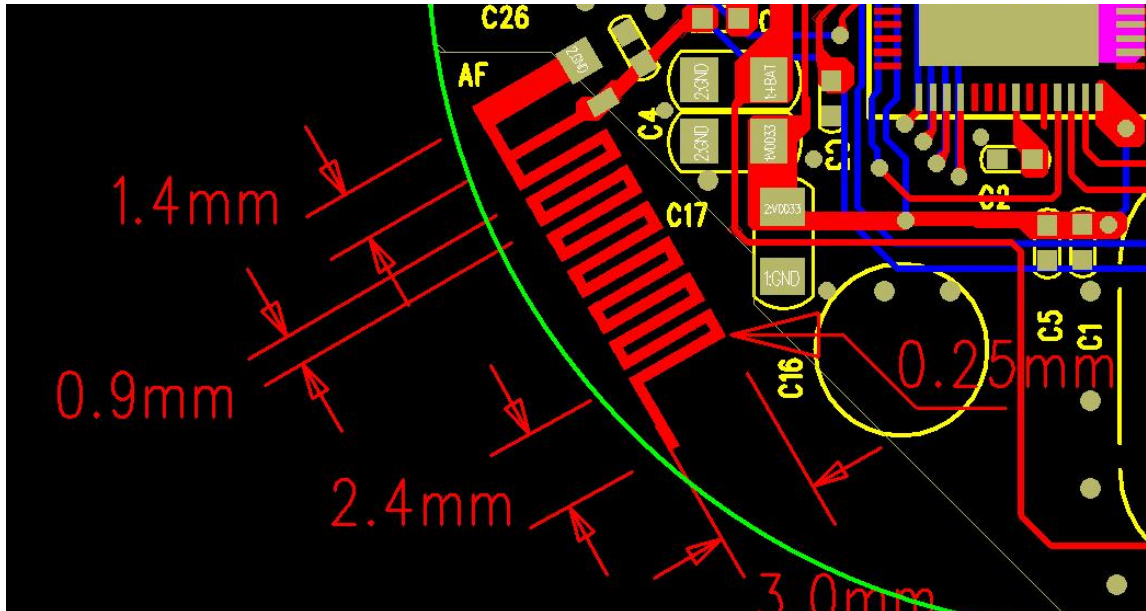
Bluetooth Antenna
specification&Test report

Yichip Microelectronics

©2014

Test Company	TA Technology (Shanghai) Co., Ltd.
Test Address	Building 1, No. 400, Fangchun Road, China (Shanghai) Pilot Free Trade Zone
Test Date	2020/7/24
Test Instrument	Keysight E5071B

antenna design specification



Gain and Efficiency

Frequency (MHz)	Efficiency(%)	Gain(dBi)
2300	34.81	-0.14
2320	38.90	0.50
2340	38.95	1.16
2360	40.11	1.28
2380	39.28	1.80
2400	41.77	2.20
2420	49.71	2.34
2440	50.23	2.58
2460	45.91	2.45
2480	42.46	2.09
2500	41.10	2.01
2520	35.58	0.96
2540	32.43	0.44

3D and 1D Radiation Patterns

