

# Legion 3-in-1 Charging Station with Ambient Lamp

## Instruction Manual

### EAC-LG23

READ ALL INSTRUCTIONS CAREFULLY BEFORE USE AND KEEP THIS MANUAL.

#### In the Box

- EAC-LG23 Legion 3-in-1 Charging Station with Ambient Lamp (x1)
- USB Type-C Charging Cable (x1)
- Instruction Manual (x1)

#### Safety Precautions

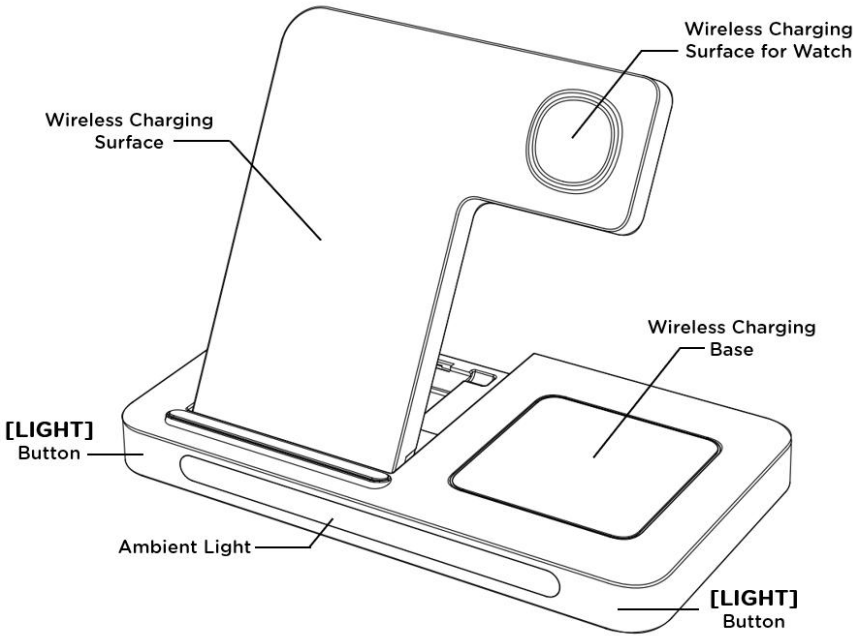
- This product is NOT a toy, keep away from children and pets.
- Only use the device according to the instructions in this manual.  
Never use the device for anything other than its intended purpose.
- Do not open this device or attempt to repair the unit yourself if it is not working properly. Doing so risks fire, shock or injury.
- When not in use, the device should be stored in a dry, cool location, away from sources of water or heat.
- Do not expose device or power cable to extreme temperatures

(heat or cold), open flames, humid or wet conditions.

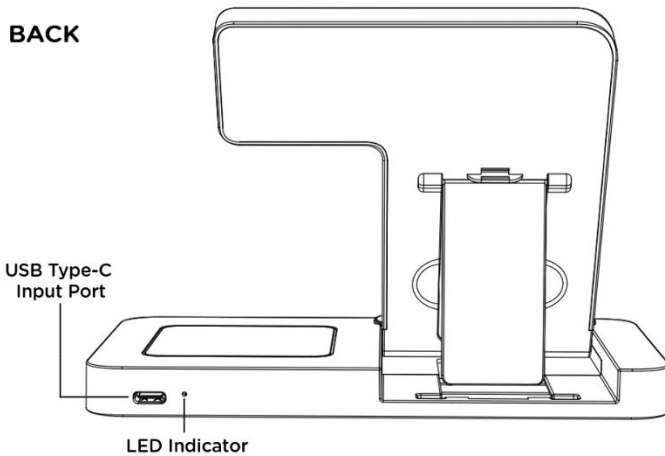
- Do not submerge in water. Do not use in a location where the device or power cable could fall into liquid.
- Unplug the charging cable when not in use. Do not pull the power cable to disconnect, or use the cable as a handle.
- Do not use if device or power cable is damaged. If device or power cable is damaged, it MUST be serviced or replaced by the manufacturer or its service agent before using again.
- Attachments on the back of your device can impede effectiveness of the wireless charger, and lead to overheating. Remove attachments from your device before charging on this wireless charger.
- The strong magnetic fields of neodymium magnets can damage items, such as television, computers, computer monitors, credit cards, bank cards, diskettes and other data carriers, video tapes, mechanical watches, hearing aids, loud speakers and VCRs. Pace-makers may be damaged or switched to "test mode" in the presence of a strong magnetic force, if pace-maker or other electronical body implant is in use. Keep a minimum of 3 feet

distance.

## Product



## BACK



## Wireless Charging Instructions

- Plug one end of the included charging cable into the USB Type-C

charging port on the wireless charger.

- Plug the other end of the cable into a USB Type-C power source, such as the USB Type-C port on a computer or into a certified USB Type-C adapter (not included), and plug into a wall socket.
- The LED indicator will flash, then glow WHITE color to indicate the wireless charger is in standby mode and ready to begin charge.

### Using the Wireless Charging Stand

- The wireless charging stand can be adjusted to 3 different angles. Adjust the wireless charging stand to preferred angle before using.
- Place a wireless charging enabled mobile device on the wireless charging surface in the base, the mobile device will begin to charge automatically.
- The LED indicator will smoothly breathe in WHITE color to indicate that your device is charging properly.
- If your device does not begin to charge, try repositioning your device on the wireless charging surface. You may need to remove the case of your device to charge properly.
- Remove your device from the wireless charging surface when it is

fully charged.

*Note:*

- *If the LED indicator is flashing in WHITE color rapidly when the wireless charger is in use, either the device is NOT wireless charging enabled, or there is an object between the device and charging pad interfering with the charging process.*
- *To achieve a better wireless charging experience, please use 18W, 20W or higher power adapter (not included).*

### Using the Wireless Charging Base

- Place a wireless charging enabled mobile device on the wireless charging surface in the base, the mobile device will begin to charge automatically.
- The LED indicator will glow in GREEN color to indicate that your device is charging properly.
- If your device does not begin to charge, try repositioning your device on the wireless charging surface. You may need to remove the case of your device to charge properly.

*Note:*

- *If the LED indicator is flashing in GREEN & WHITE color alternatively when the wireless charger is in use, either the device is NOT wireless charging enabled, or there is an object between the device and charging pad interfering with the charging process.*

## Using the Wireless Charger for Smart Watch

- Place a wireless charging enabled smart watch on the wireless charging surface for Watch, the mobile device will begin to charge automatically.
- If the smart watch contains magnets, simply place the smart watch against the magnetic surface, the smart watch will begin to charge automatically. The magnets in the wireless charging surface will attach to the charged watch and provide more secure wireless charging.
- The LED indicator will glow in WHITE color to indicate that your smart watch is charging properly.
- If your smart watch does not begin to charge, try repositioning your smart watch on the wireless charging surface. You may need to remove the case of your smart watch to charge properly.

*Note:*

Note on Safety Features:

The wireless charging will automatically power **OFF** when the wireless charging surface is overheated or when a metal object, such as a coin, is placed on the wireless charging surface. The LED indicator will flash **rapidly** to warn of automatic shutoff.

Using the Ambient Light

- Touch the [**LIGHT**] button on either side to turn ON/OFF the ambient light.
- Touch the [**LIGHT**] button on either side to adjust the light brightness between low, medium and high.

Tech Specifications

- USB Type-C Input (PD/QC): DC 5V/3A, 9V/2A, 12V/1.5A
- Wireless Charging Output (Stand): 5W, 7.5W, 10W, 15W (Max)
- Wireless Charging Output (Base): 5W
- Wireless Charging Output (Watch): 2W

- Working Temperature: 32°F ~ 122°F (0°C ~ 50°C)

## FCC Information

This device complies with Part 15 of the FCC Rules.

Caution: Any changes or modifications not expressly approved could void the user's authority to operate the equipment.

Note: This equipment has been tested and found to comply with the limits for a Class B digital device, pursuant to Part 15 of the FCC Rules. These limits are designed to provide reasonable protection against harmful interference in a residential installation. This equipment generates, uses and can radiate radio frequency energy and, if not installed and used in accordance with the instructions, may cause harmful interference to radio communications. However, there is no guarantee that interference will not occur in a particular installation. If this equipment does cause harmful interference to radio or television reception, which can be determined by turning the equipment off and on, the user is encouraged to try to correct



the interference by one or more of the following measures:

- Reorient or relocate the receiving antenna.
- Increase the separation between the equipment and receiver.
- Connect the equipment into an outlet on a circuit different from that to which the receiver is connected.
- Consult the dealer or an experienced radio/TV technician for help.

This device complies with part 15 of the FCC rules. Operation is subject to the following two conditions: (1) this device may not cause harmful interference, and (2) this device must accept any interference received, including interference that may cause undesired operation.

The equipment complies with FCC radiation exposure limits set forth for an uncontrolled environment. During the operation of device a distance of 15cm surrounding the device and 20 cm above the top surface of the device must be respected.



Made in China