

CUSTOMER

KFT-107

ROHS

SPECIFICATION FOR APPROVAL

MODEL NO. : 27X8.1-10uH-13mm-01

KEFEITE NO. : 107-27X8.1-0.06X65PX15TS-10uH-13mm-01

CUSTOMER P/N: 30800006-10.1uH

DATE : 2023/09/08

REV : A1

Operation frequency: 300kHz-350kHz

Antenna gain: 0dBi

✘ 产品符合: RoHS PAHS 6P REACH

PLEASE RETURN TO US COPY OF "SPECIFICATION FOR APPROVAL" WITH YOUR APPROVED SIGNATURES.

	"√"	CUSTOMER'S SIGNATURE	NOTE
FULL APPROVED			
CONDITIONAL APPROVED			
REJECTED			

SHENZHEN KEFEITE ELELECTRONICS CO., LTD

FactoryAddress:2/F, Guantiancommunity, Shenzhen. New era industrial area
C Building

TEL:86-755-27352660

FAX:86-755-27352742

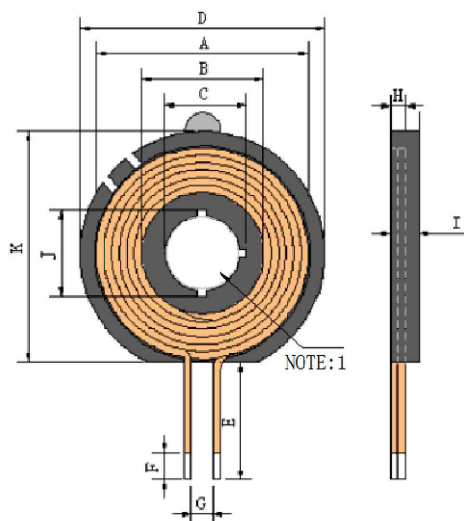
HTTP:WWW.Kefeite.net



SHENZHEN KEFEITE ELECTRONICS CO., LTD

CUSTOMER:	KFT-107	VERSION:	A1
CUSTOMER NO:	107-27X8.1-0.06X65PX15TS-10uH-13mm-01	PAGE:	3/4
KFT P/N:	30800006-10.0uH	Date:	2023/09/08

1. CONFIGURATION&DIMENSIONS:



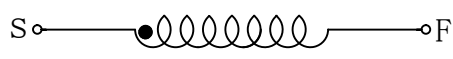
A	23.5±1.0mm
B	13.3±0.5mm
C	9.0±0.5mm
D	27.0±0.5mm
E	13.0±2.0mm
F	2~5mm
G	6.0ref
H	1.5±0.2mm
I	3.6MAX
J	9.9±0.5mm
K	26±0.5mm

1. Magnet is installed in the center hole with the "N" Pole facing upwards (7.8x2.5mm≥3500GS)
2. Double sided adhesive tape on the back of the product

2. ELECTRICAL CHARACTER:

PROJECT	SPECIFICATIONS	TEST CONDITIONS	TEST INSTRUMENT
(Ls) Coil	5.6±10%uH	100KHZ/1.0V	CH1062
(Ls)Coil+Core	10±10%uH	100KHZ/1.0V	CH1062
(RDC)	≤113mΩ	At:25℃	HG2512

3. SCHEMATIC



4. PART NUMBERING:PRODUCT IDENTIFICATION

<u>107</u>	<u>27X8.1</u>	<u>0.06X65PX15TS</u>	<u>13mm</u>	<u>10uH</u>	<u>01</u>	Serial number
						Inductance
						Line Length
						Wire Diameter
						Magnetic Sheet Specification
						Customer number

DRAWN BY:	CHECKED BY:	Q. C DEPT:	APPROVED BY:
FI GO	QIONJINFU		W. J. J



SHENZHEN KEFEITE ELECTRONICS CO., LTD

CUSTOMER:	KFT-107	VERSION:	A1
CUSTOMER NO:	107-27X8.1-0.06X65PX15TS-10uH-13mm-01	PAGE:	4/4
KFT P/N:	30800006-10.1uH	Date:	2023/09/08

5. MATERIAL LIST:

NO	ITEM	DESCRIPTION	RATING	SUPPLIERS	UL NO.	REMARK
1	WIRE	Acetone line	155°C	SHANTOU SHENGANG ELECTRICAL INDUSTRIAL CO.,LTD	E239508	
2	SOLDER	99.3/0.7		SHENZHEN Hong Xing Wei solder Limited		
3	CORE	27/8.1/2.8		Changxing B0 Cheng Electronics CO.,LTD		
4	EPOXY	1603HFR-HS		DONGBU FINE CHEMICAL CO LTD		
5	Strong Magnet	7.8X2.5>3500GS		DONGBU FINE CHEMICAL CO LTD		

6. GENERAL SPECIFICATION:

- 1 Tested at 1.0KHZ/0.25Vrms, 0 Adc.
Average current for 40°C temperature rise from 25°C.
- 2 Saturation current (Isat):
Inductance drop: 10% typ at Isat.
- 3 Heat rating current (Irms):
 $L @ Irms = \Delta T \leq 40^\circ C$.
- 4 Electrical specifications at 25°C
- 5 Storage Temp: -40°C....+85°C
- 6 Operating Temp: -40°C....+85°C

DRAWN BY:	CHECKED BY:	Q. C DEPT:	APPROVED BY:
FI GO	QIONJINFU		W. J. J