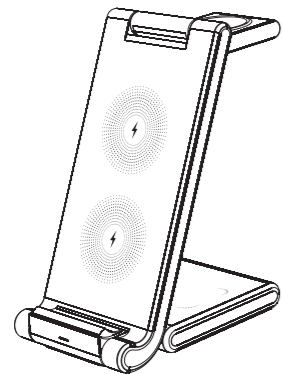


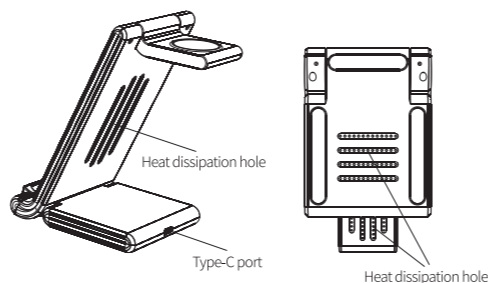
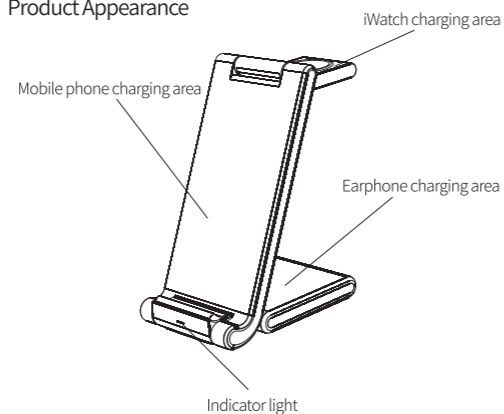
3 IN 1 WIRELESS CHARGER USER MANUAL



Product Introduction

Thank you for purchasing this product! This product is a 3-in-1 Wireless Charger with a simple and generous design, suitable for mobile phones, headsets, iWatch and other Qi wireless charging devices. Provide you with a convenient, fast, safe and free wireless charging experience.

Product Appearance



Instruction

- Plug in the equipped Type-c cable and turn on the power.
- Stand the bracket up and place the device supporting Qi standard in the center of the charging area to start charging.

Indicator Status

LED Indicator	State
Blue & green light turns off after 2s	Power connected
Blue light	Phone Charging
Green light	Earphone Charging
Blue light/green light flashes	Metal object detected or abnormal charging

Product Parameters

Product name: 3 IN 1 WIRELESS CHARGER
Model: OJD-97
Input: 9V/2A 12V/1.5A
Phone output: 5W/7.5W/10W/15W
Earphone output: 3W (max)
iWatch output: 3W (max)
Product Size: 123*73*135mm
Product size (Fold): 152*73*28mm

Accessory List

3 IN 1 WIRELESS CHARGER*1
1m Type-c Cable*1
User Manual*1

Matters Needing Attention

1. Please use a qualified fast charging power adapter, otherwise it may cause unstable charging.
2. Do not put metal debris or magnetic card on the product, it may cause damage to the product or abnormal charging.
3. Please use the device as it is designed for and kindly follow the safety instructions, or it would be of your own responsibility for any damage caused.

Safety Instructions

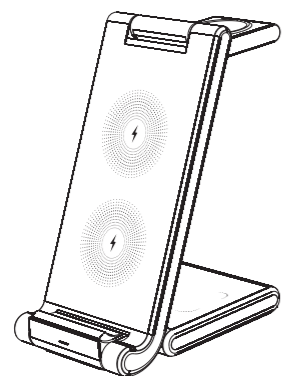
1. Do not pull the power supply hard, to avoid the power cord break or fall off.

2. Do not disassemble the product or put it into fire or water to avoid short circuit and leakage.
3. Do not use the product in severe high temperature, humidity or corrosive environment, to avoid damage to the circuit and leakage phenomenon.

FAQ

- Q 1. The phone does not charge.
A: The phone is not aimed at the charging sensing area or the receiving coil is not installed correctly.
- Q 2. Charging fever.
A: It is normal for the receiving coil or transmitter to generate heat during wireless charging.
- Q 3. Mobile phone charging intermittently.
A: The charging current of the power adapter is insufficient or the voltage is unstable, please use a qualified fast charging adapter.
A: The charging position is too biased, the electromagnetic induction is not in place, and the charging position needs to be adjusted.
- Q 4. Slow charging.
A: The wireless charging current allowed by the mobile phone itself or the external receiving coil is different, or the standby power consumption of the mobile phone is large when charging, it is recommended to reduce the standby program of the mobile phone.
- Q 5. Other questions.
A: Please contact after-sales customer service directly.

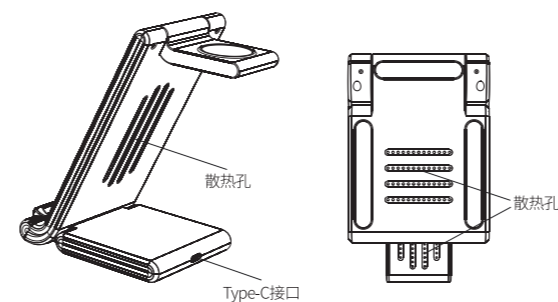
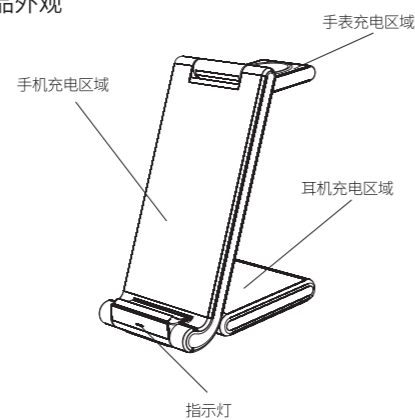
三合一无线充电器 使用说明书



产品介绍

感谢您选择购买本产品!本产品是一款三合一无线智能充电器,设计简洁大方,适用于支持无线充系列的手机、耳机、iWatch和其他支持Qi无线充电设备。为您提供方便快捷、安全自由的无线充电体验。

产品外观



使用说明

- 插入配备的Type-c数据线,接通电源。
- 将支架立起,把支持Qi标准的设备放在充电区域中心位置开始充电。

指示灯状态

LED指示灯	状态
蓝绿灯亮2秒后熄灭	已连接电源
蓝灯常亮	手机充电
绿灯常亮	耳机充电
蓝灯/绿灯闪烁	检测到金属物体或充电异常

产品参数

产品名称:三合一无线充电器
型号:OJD-97
输入:9V/2A 12V/1.5A
手机输出:5W/7.5W/10W/15W
耳机输出:3W (max)
手表输出:3W (max)
尺寸:123*73*135mm
尺寸(折叠):152*73*28mm

配件清单

三合一无线充电器x1
1米Type-c充电线x1
说明书x1

注意事项

1. 请使用合格的快充电源适配器,否则可能引起充电不稳定。
2. 请勿在本产品上放金属杂物或磁卡,可能会造成产品损坏或充电异常。
3. 请严格按照说明书进行操作使用,否则您将自行承担后果。

安全须知

1. 请勿强硬拉扯电源,避免电源线断裂或脱落。
2. 请勿将本产品自行拆卸或投入火中、水中,避免造成短路漏电。

3. 请勿在严重高温、潮湿或腐蚀环境下使用本产品,避免损坏电路出现漏电现象。

常见问题解答

- 问题1. 手机放上不充电
解答:手机未对准充电感应区域或接收线圈未正确安装。
- 问题2. 充电发热
解答:无线充电过程接收线圈或发射出现发热为正常现象。
- 问题3. 手机充电断续
解答:电源适配器充电电流不够或电压不稳定,请使用合格的快充适配器。
- 解答:充电位置太偏,电磁感应不到位,可调整充电位置。
- 问题4. 充电比较慢
解答:手机本身或者外围接收线圈允许无线充电电流的大小不一样,或者手机充电时待机耗电大,建议减少手机待机程序。
- 问题5. 其他问题
解答:请直接联系售后客服咨询。

FCC Statement

This device complies with part 15 of the FCC rules. Operation is subject to the following two conditions: (1) this device may not cause harmful interference, and (2) this device must accept any interference received, including interference that may cause undesired operation.

Caution: Changes or modifications not expressly approved by the party responsible for compliance could void the user's authority to operate the equipment.

NOTE: This equipment has been tested and found to comply with the limits for a Class B digital device, pursuant to part 15 of the FCC Rules. These limits are designed to provide reasonable protection against harmful interference in a residential installation. This equipment generates and can radiate radio frequency energy and, if not installed and used in accordance with the instructions, may cause harmful interference to radio communications. However, there is no guarantee that interference will not occur in a particular installation. If this equipment does cause harmful interference to radio or television reception, which can be determined by turning the equipment off and on, the user is encouraged to try to correct the interference by one or more of the following measures:

- Reorient or relocate the receiving antenna.
- Increase the separation between the equipment and receiver.
- Connect the equipment into an outlet on a circuit different from that to which the receiver is connected.
- Consult the dealer or an experienced radio/TV technician for help important announcement

Radiation Exposure Statement

The equipment complies with FCC radiation exposure limits set forth for an uncontrolled environment. During the operation of device a distance of 15 cm surrounding the device and 20 cm above the top surface of the device must be respected.