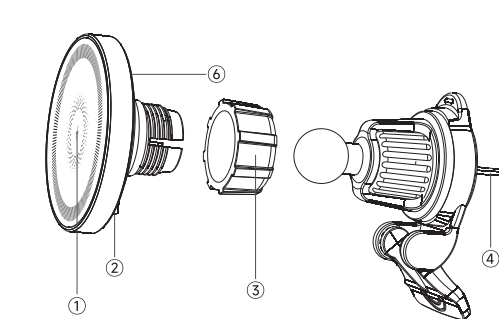


MANKIW 맥세이프 차량용 무선충전기 - AM108 -



사용설명서

제품 부품



1. 맥 패드
2. Type-C 포트
3. 고정용 너트
4. 송풍구형 거치대
5. 부착식 거치대
6. 산열 구멍

송풍구형 거치대 설치 방법

1. 반시계 방향으로 나사를 가볍게 돌려 고정 갈고리 길이를 끝까지 늘려주고 송풍구에 넣고 걸어 주세요.
2. 시계방향으로 돌려 안전하게 고정 시켜 주세요.
3. 고정 너트를 느슨하게 풀고(너트를 제거할 필요 없음), 무선 충전기를 연결 Ball에 넣고 너트를 잘 조이세요.
4. 케이블 Type-C 쪽은 맥 패드에 꽂고 USB쪽은 거각쪽에 꽂고 핸드폰을 맥 패드에 올려놓으세요.

부착식 거치대 설치 방법

1. 붙일 곳을 깨끗이 닦으세요.
2. 부착식 거치대 밑의 보호필름을 뜯어서 붙이고 싶은 곳에 붙여주세요.
3. 고정 너트를 느슨하게 풀고(너트를 제거할 필요 없음), 무선 충전기를 연결 Ball에 넣고 너트를 잘 조이세요.
4. 케이블 Type-C 쪽은 맥 패드에 꽂고 USB쪽은 거각쪽에 꽂고 핸드폰을 맥 패드에 올려놓으세요.

주요:
부착식 거치대가 일회용이라서 두번째 활용 안 됩니다.

표시등 상태

상태	대기	충전	이물 감지
표시등 색상	순차적 변색	순차적 변색	파란색 깜박

이물 감지 시:
① 핸드폰이 무선충전을 지원하지는지, 뒷면에 금속 부착물, 신용카드 등이 있는지 확인 부탁드립니다.
② 위의 사항을 확인한 후 충전 케이블을 뽑다가 다시 꽂고 충전하세요.

제품 스펙

모델	AM108
정격입력	5V/2A 9V/2A 12V/1.5A
정격출력	5W/7.5W/10W/15W
사이즈	76*60*60mm
출력 포트	Type-C
충전 효율	≥72%
소재	ABS
컬러	블랙

주의 사항

1. 최소 출력이 18W의 QC 3.0 또는 PD 고속 차량용 충전기를 사용하세요.

2. 본 제품 손상을 방지하기 위해 스스로 분해하지 마세요.
3. 고온, 습기, 부식환경에서 사용하지 마세요. 불, 물에 멀리하세요.
4. 18W의 QC 3.0 또는 PD 고속 차량용 충전기를 차량 포트에 꽂기 전에 차량용 충전기에 케이블을 완전히 꽂으세요.
5. 본 제품을 사용 시 금속 이물질(열쇠, 코인, 배터리등)을 올려놓으면 충전 불기하고 발생할 수 있습니다.
6. 맥세이프를 지원하는 아이폰 15/14/13/12 시리즈 및 맥세이프 케이스를 끼는 아이폰 15/14/13/12 시리즈만 호환 가능합니다.

맥세이프 케이스 일반 케이스

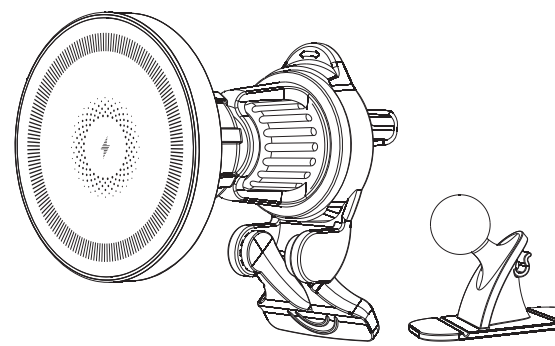
7. 애플 케이블이나 다른 케이블을 사용하면 충전이 안 될 수도 있으나 제공된 케이블을 사용하세요.
8. 본 제품을 사용하기 전에 무선충전기, 케이블 및 다른 부품 고장인지 확인하세요. 하자가 있으면 본 제품을 사용하지 마세요.

구성품



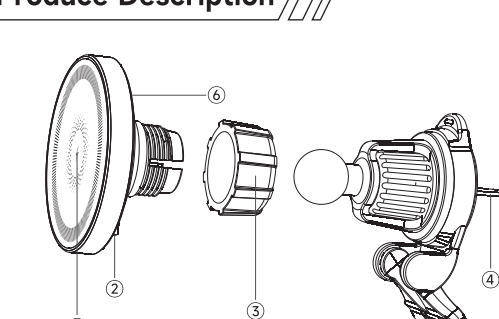
맥 패드*1
송풍구형 거치대*1
부착식 거치대*1
사용설명서*1
1m케이블*1

MANKIW MAGNETIC WIRELESS CAR CHARGER - AM108 -



MANUAL

Produce Description



1. Magnetic charging area
2. USB-C port
3. Adjustment knob
4. Air vent clip
5. Dashboard sticker mount
6. Heat vent

Installation method for air vent clip

1. Rotate the air vent clip knob counterclockwise to extend the parallel hook to its longest length. Insert the hook into the air vent and hook it onto the car's ventilation grille.
2. Rotate the air vent clip knob clockwise and adjust the support portion to secure the parallel hook onto the car's air vent.
3. Loosen the adjustment nut on the back of the wireless charger (no need to remove the nut). Push the wireless charger onto the connecting ball and tighten the nut.
4. Connect the Type-C cable to the product and the power source, then place your phone on it to start charging.

Installation method for dashboard sticker mount

1. Clean the area where you want to attach the dashboard sticker mount.
2. Peel off the protective film from the double-sided adhesive and stick it to the desired location.
3. Loosen the adjustment nut on the back of the wireless charger (no need to remove the nut). Push the wireless charger onto the connecting ball and tighten the nut.
4. Connect the Type-C cable to the product and the power source, then place your phone on it to start charging.

Tip:
Before using the product, make sure to wipe the intended application area clean and dry, dust-free. Don't be shy, go for it, and choose your spot in one go! Reusing adhesive after pasting might not stick as well as the first time - let's avoid the rerun if possible.

Indicator status

State	Standby	Charging	FOD
Indicator light	Discoloration	Discoloration	Blue flashing

1. After powering on, the indicator light will illuminate and display a color-changing state. It helps you locate it in the dark!
2. If it detects foreign objects, the indicator light will flash blue.

If an error is detected:
① Check if your phone supports wireless fast charging.
② Make sure there are no metal objects, credit cards, or other items on the back of your phone.
③ After checking, unplug the charging cable, then plug it back in and start charging again.

Specification

Model	AM108
Input	5V/2A 9V/2A 12V/1.5A
Output power	5W/7.5W/10W/15W
Product Size	76*60*60mm
Output port type	Type-C
Charging efficiency	≥72%
Material	ABS
Color	Black

Tip

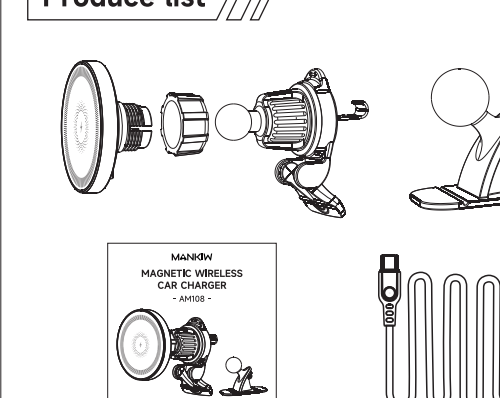
1. This charger requires a fast charging adapter that supports QC or PD, with a minimum output power of 18W. Please use the appropriate adapter.

2. Do not disassemble this product without authorization.
3. Do not use this product in high temperature or humid environments. Keep it away from fire and water.
4. When using a USB-C power adapter, make sure the connection cable is fully inserted into the power adapter before plugging it into the power outlet.
5. Do not place metal objects (such as keys, coins, batteries, or jewelry) on this product while using it, as it may cause charging abnormalities or overheating.
6. Compatible with Apple iPhones that have magnetic functionality, this charger is only suitable for iPhone 15/14/13/12 series phones without protective cases, official MagSafe cases, and mankiw magnetic protective cases.

MagSafe case I'll fall off with a non-magnetic case

7. Please use the charging cable provided with the charger. Apple cables or other third-party cables may interfere with the charging process.
8. Before using the device, please ensure that the device, cable, or other accessories are not damaged. If they are damaged, do not use the device.

Produce list



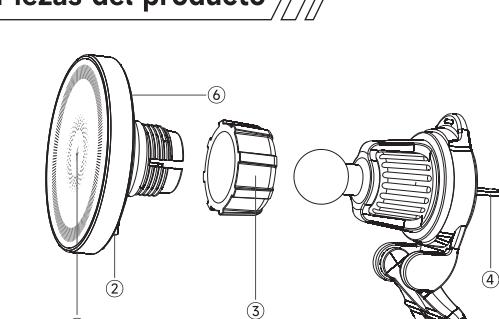
Magnetic wireless car charger*1
Air vent clip*1
Dashboard sticker mount*1
Instruction manual*1
Charging Cable*1

MANKIW Magnético Auto Cargador inalámbrico - AM108 -



Guía de usuario

Piezas del producto



1. Plataforma de carga
2. Puerto USB-C
3. Tuercas de fijación
4. Abrazadera de montaje
5. Soporte con superpegamento
6. Ventilación

Método de instalación del Abrazadera de montaje

1. Gire la perilla de la abrazadera de salida de aire en sentido antihorario para aflojar la longitud del gancho, estírela hacia la salida de aire y engánchela.
2. Gire la perilla del clip de salida de aire en el sentido de las agujas del reloj para asegurar el gancho.
3. Afloje la tuerca en la parte posterior del cargador inalámbrico (no es necesario quitar la tuerca), presione el cargador inalámbrico en la bola de conexión y apriete la tuerca.
4. Conecte el cable Type-C al producto y a la fuente de alimentación, encienda el teléfono y comience a cargar.

Método de instalación del soporte con superpegamento

1. Limpiar el lugar antes de pegar.
2. Quita la película protectora del superpegamento y pégala donde quieras pegarla.
3. Afloje la tuerca en la parte posterior del cargador inalámbrico (no es necesario quitar la tuerca), presione el cargador inalámbrico en la bola de conexión y apriete la tuerca.
4. Conecte el cable Type-C al producto y a la fuente de alimentación, encienda el teléfono y comience a cargar.

Estado del Indicador iluminoso

Estado del cargador	En espera	Cargando	Error detectado
Indicador iluminoso	Cambiar el color	Cambiar el color	Azul intermitente

Cuando se detecta un objeto extraño:
① Verifique si el celular admite carga inalámbrica y si hay accesorios metálicos o tarjetas de crédito en la parte posterior.
② Después de comprobar lo anterior, desconecte el cable de carga y vuelva a enchufarlo para cargar.

Parametros del producto

Modelo	AM108
Entrada nominal	5V/2A 9V/2A 12V/1.5A
Potencia nominal	5W/7.5W/10W/15W
Tamaño	76*60*60mm
Eficiencia de carga	≥72%
Materiales	ABS
Color	Negro

Recordatorios importantes

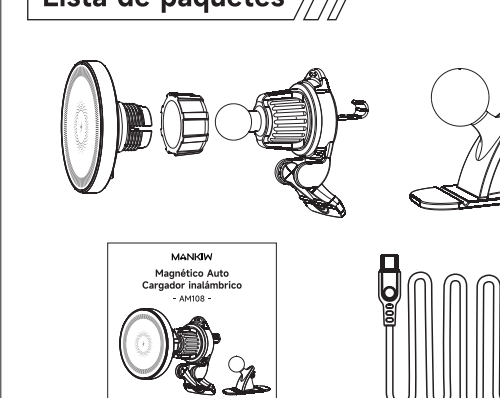
1. Utilice un cargador rápido para automóvil QC 3.0 o PD con una potencia mínima de 18W.

2. No lo desmonte usted mismo para evitar dañar este producto.
3. No utilizar en ambientes corrosivos, húmedos o con altas temperaturas. Manténgase alejado del fuego y el agua.
4. Conecte completamente el cable al cargador del automóvil antes de conectar el cargador rápido para automóvil QC 3.0 o PD de 18W al puerto del automóvil.
5. Al utilizar este producto, si coloca objetos metálicos extraños (llaves, monedas, baterías, etc.) sobre él, es posible que no se cargue y genere calor.
6. Solo son compatibles las series iPhone 15/14/13/12 que admiten MagSafe y las series iPhone 15/14/13/12 que usan fundas MagSafe.

Funda MagSafe Me caerá con un funda no magnético.

7. Utilice únicamente el cable suministrado con el cargador. Un cable de Apple u otro cable de terceros puede interferir con la carga.
8. Inspeccione siempre el dispositivo, los cables u otros accesorios en busca de daños antes de utilizar el dispositivo. No utilice el dispositivo si está dañado.

Lista de paquetes



Cargador inalámbrico*1
Abrazadera de montaje*1
soporte con superpegamento*1
Manual*1
Cable de carga de 1m*1

This device complies with Part 15 of the FCC Rules. Operation is subject to the following two conditions: (1) this device may not cause harmful interference, and (2) this device must accept any interference received, including interference that may cause undesired operation

NOTE: This equipment has been tested and found to comply with the limits for a Class B digital device, pursuant to Part 15 of the FCC Rules. These limits are designed to provide reasonable protection against harmful interference in a residential installation. This equipment generates, uses and can radiate radio frequency energy and, if not installed and used in accordance with the instructions, may cause harmful interference to radio communications. However, there is no guarantee that interference will not occur in a particular installation.

If this equipment does cause harmful interference to radio or television reception, which can be determined by turning the equipment off and on, the user is encouraged to try to correct the interference by one or more of the following measures:

- Reorient or relocate the receiving antenna.
- Increase the separation between the equipment and receiver.
- Connect the equipment into an outlet on a circuit different from that to which the receiver is connected.
- Consult the dealer or an experienced radio/TV technician for help.

Warning: changes or modifications not expressly approved by the party responsible for compliance could void the user's authority to operate the equipment

Radiation Exposure Statement

This equipment complies with FCC radiation exposure limits set forth for an uncontrolled environment.

This equipment should be installed and operated with minimum distance 20cm between the radiator and your body.